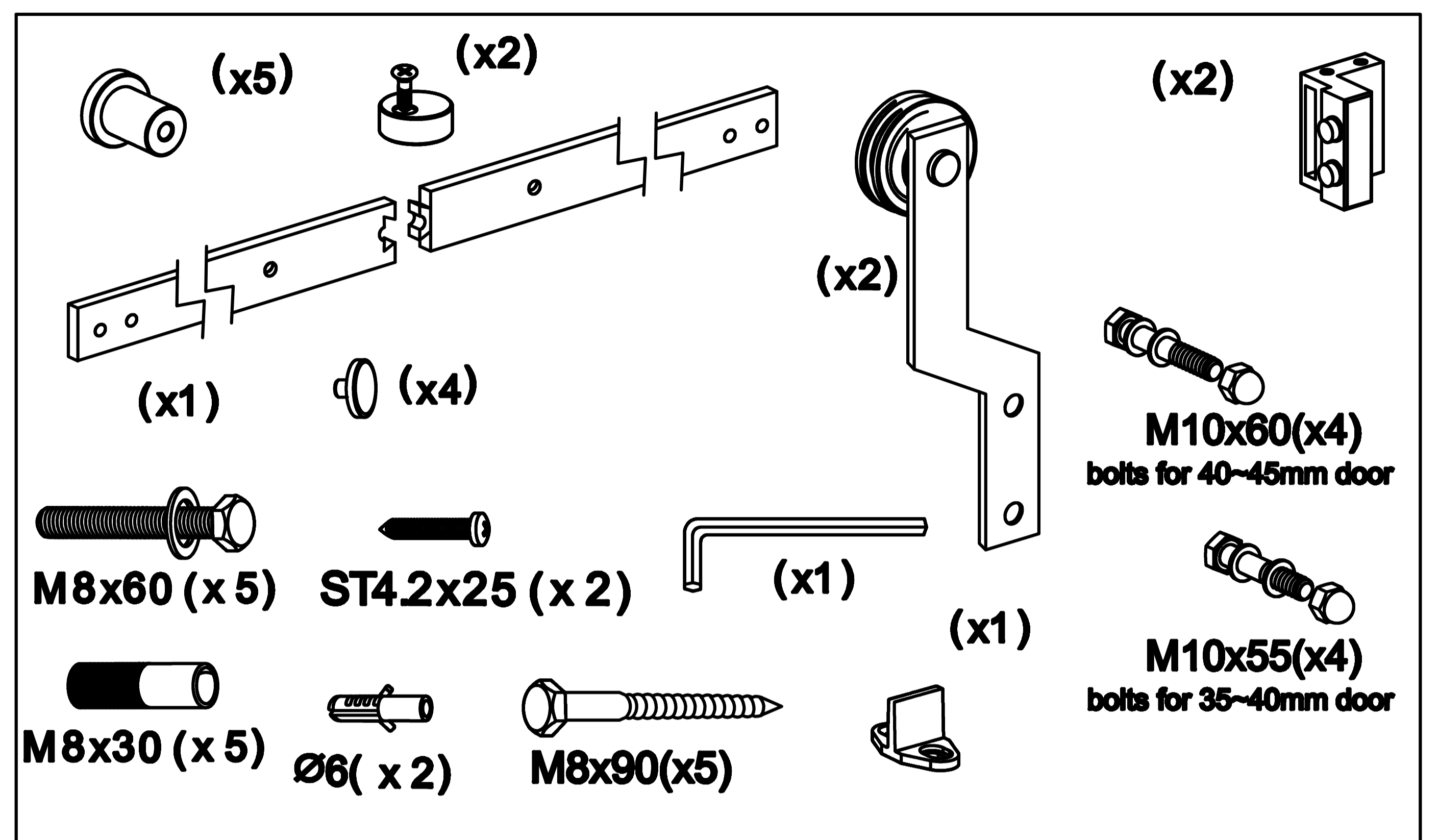
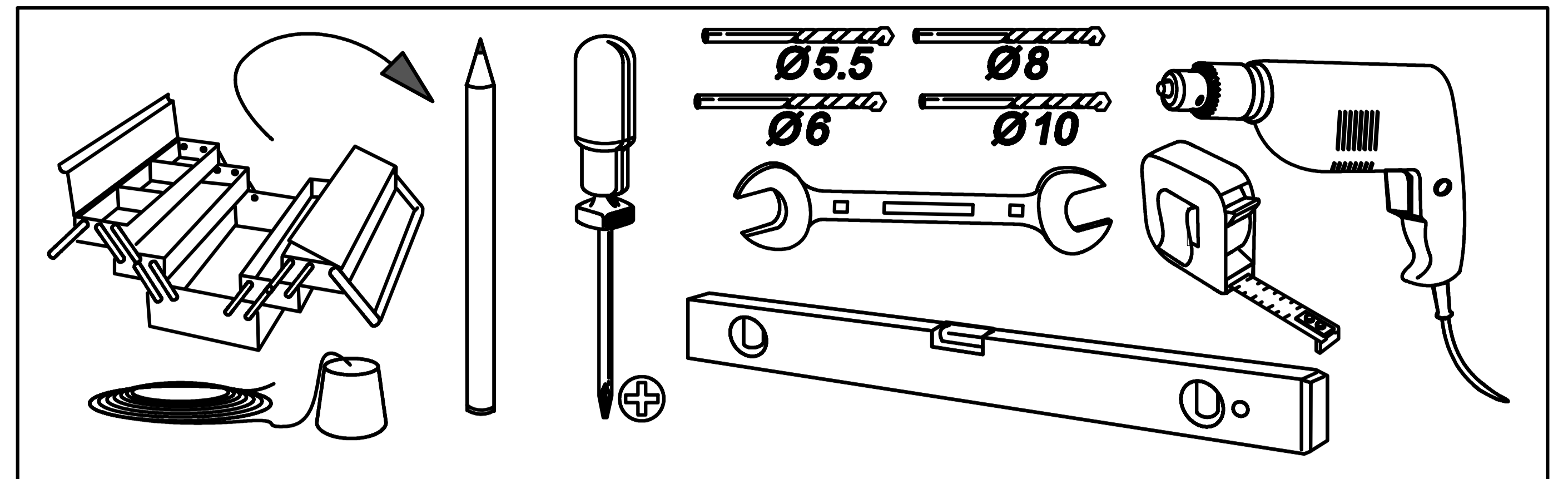
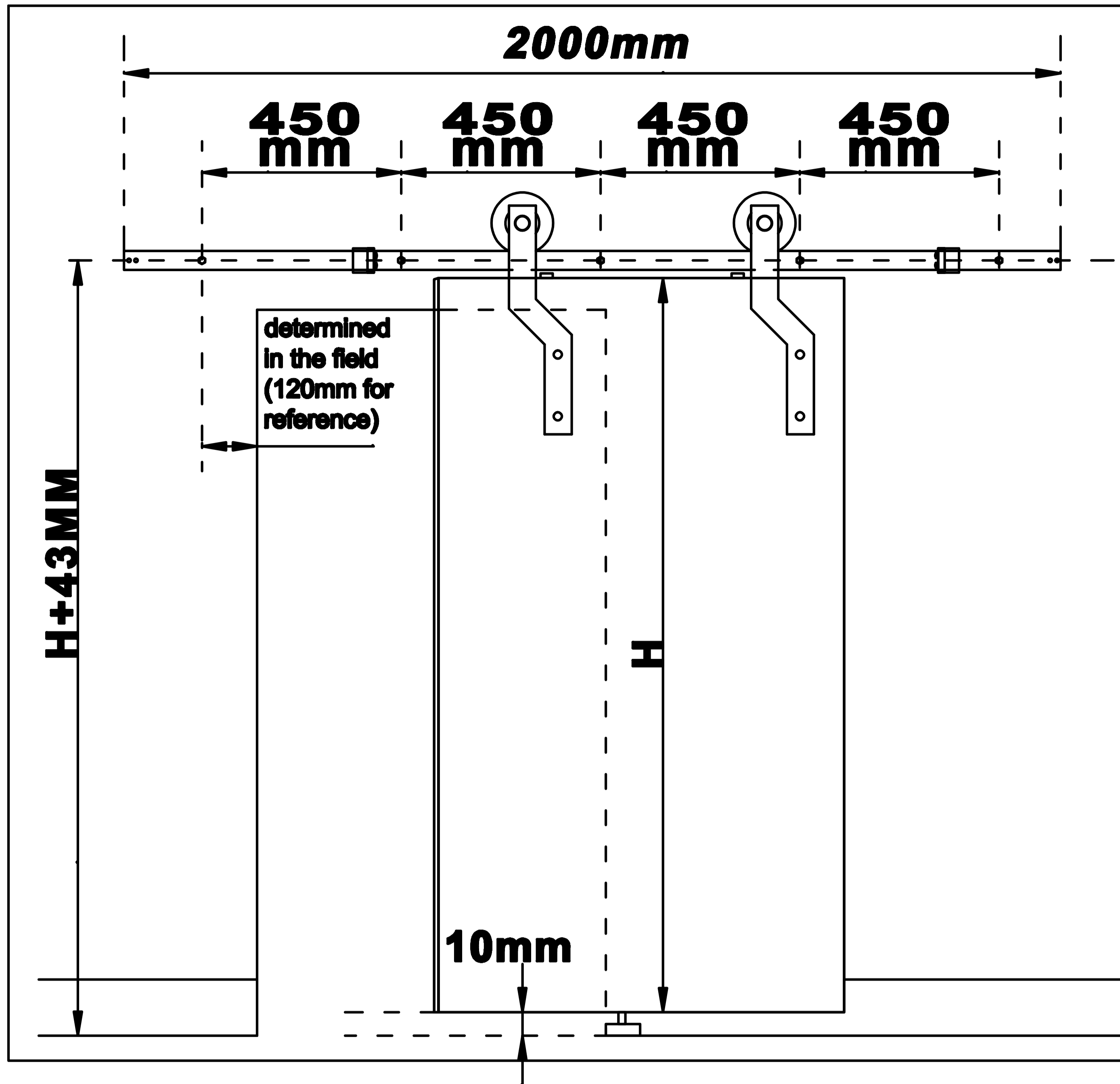
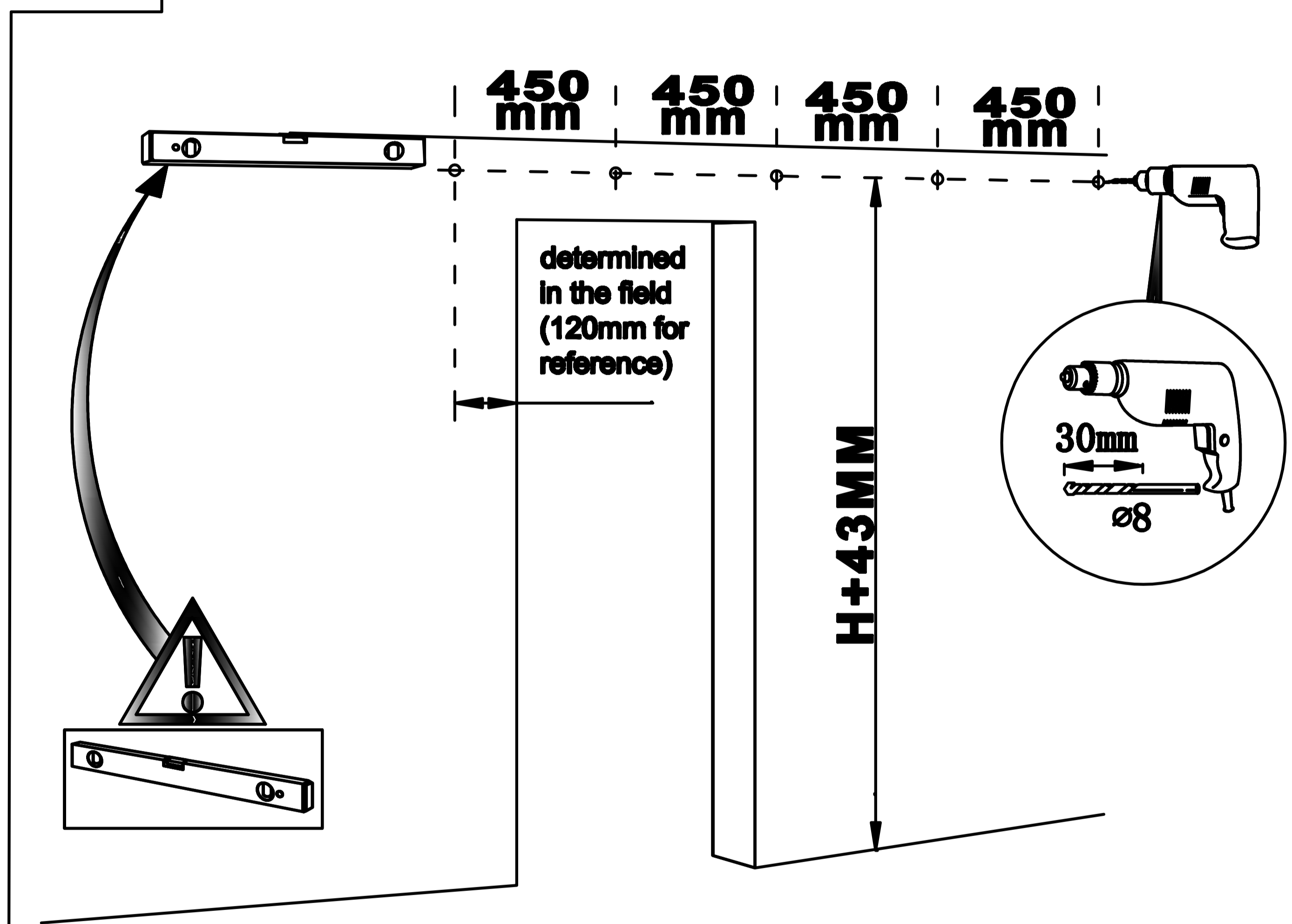


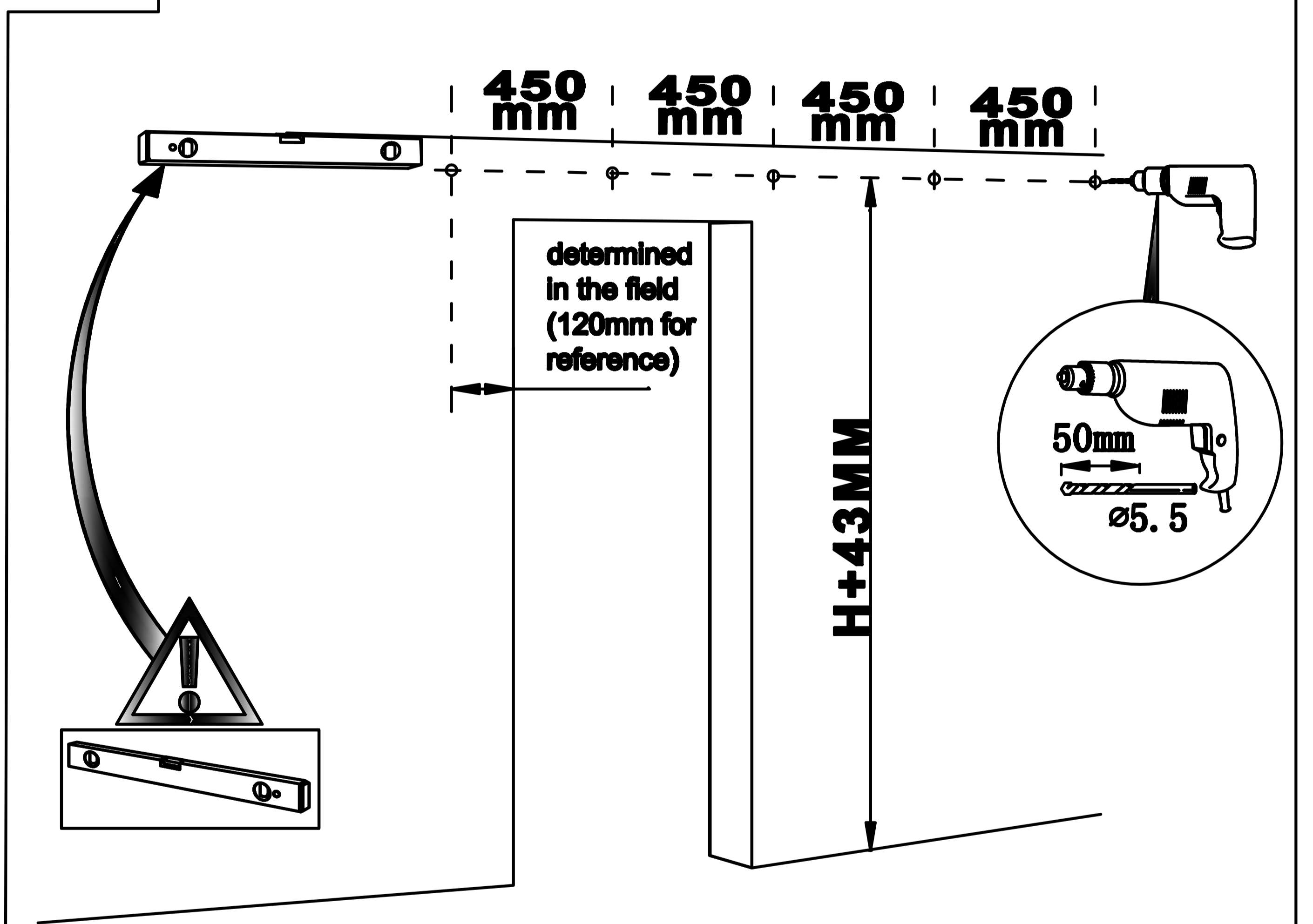
# Installation Manual



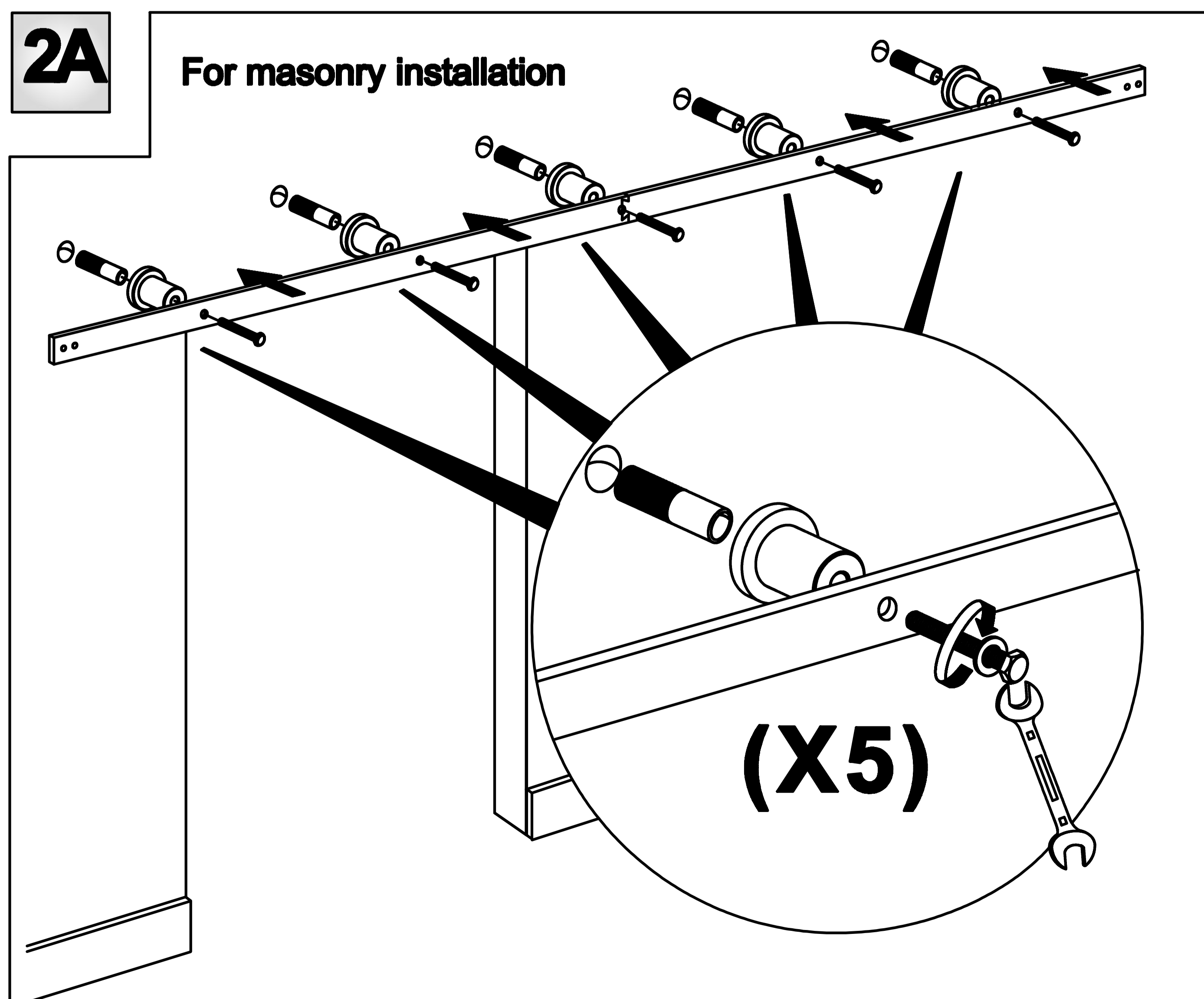
## 1A For masonry installation



## 1B For drywall installation with support structure



## 2A For masonry installation



## 2B For drywall installation with support structure

