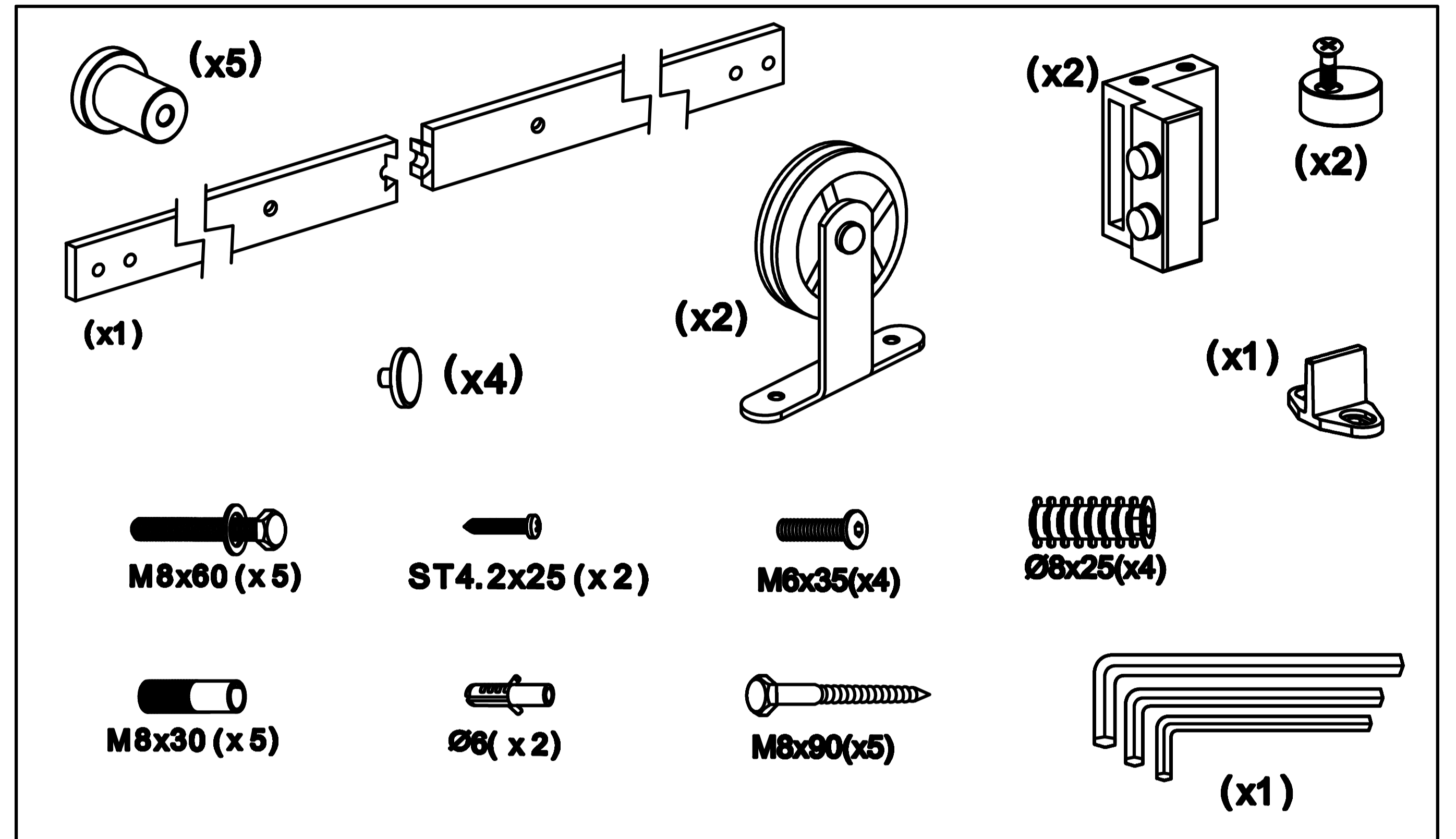
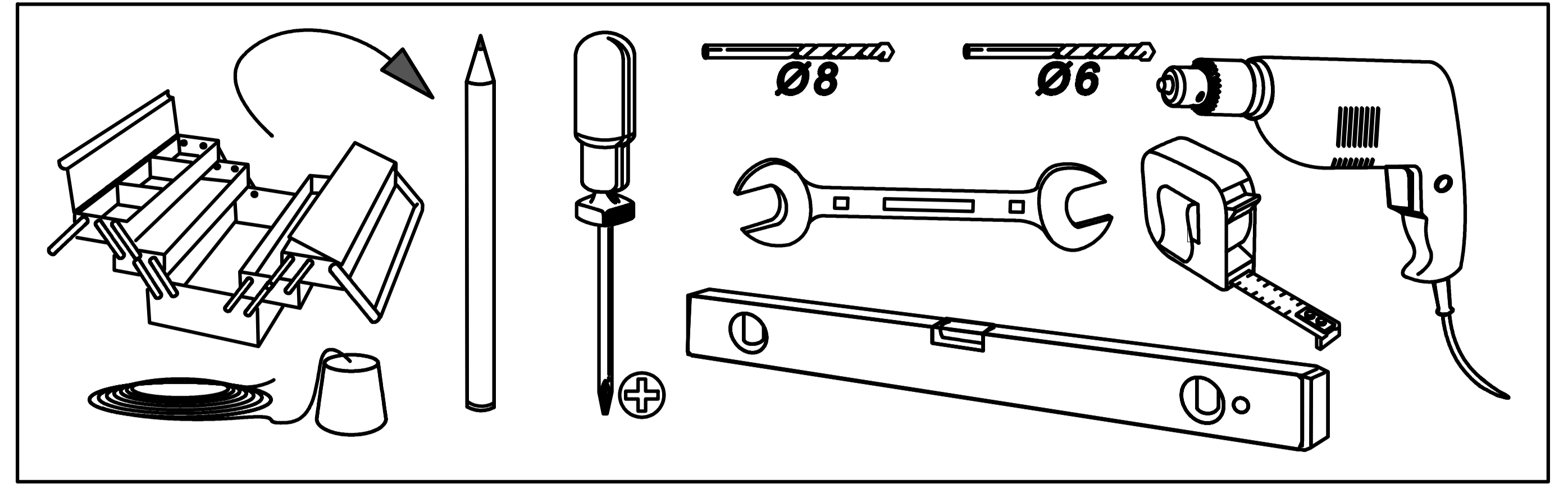
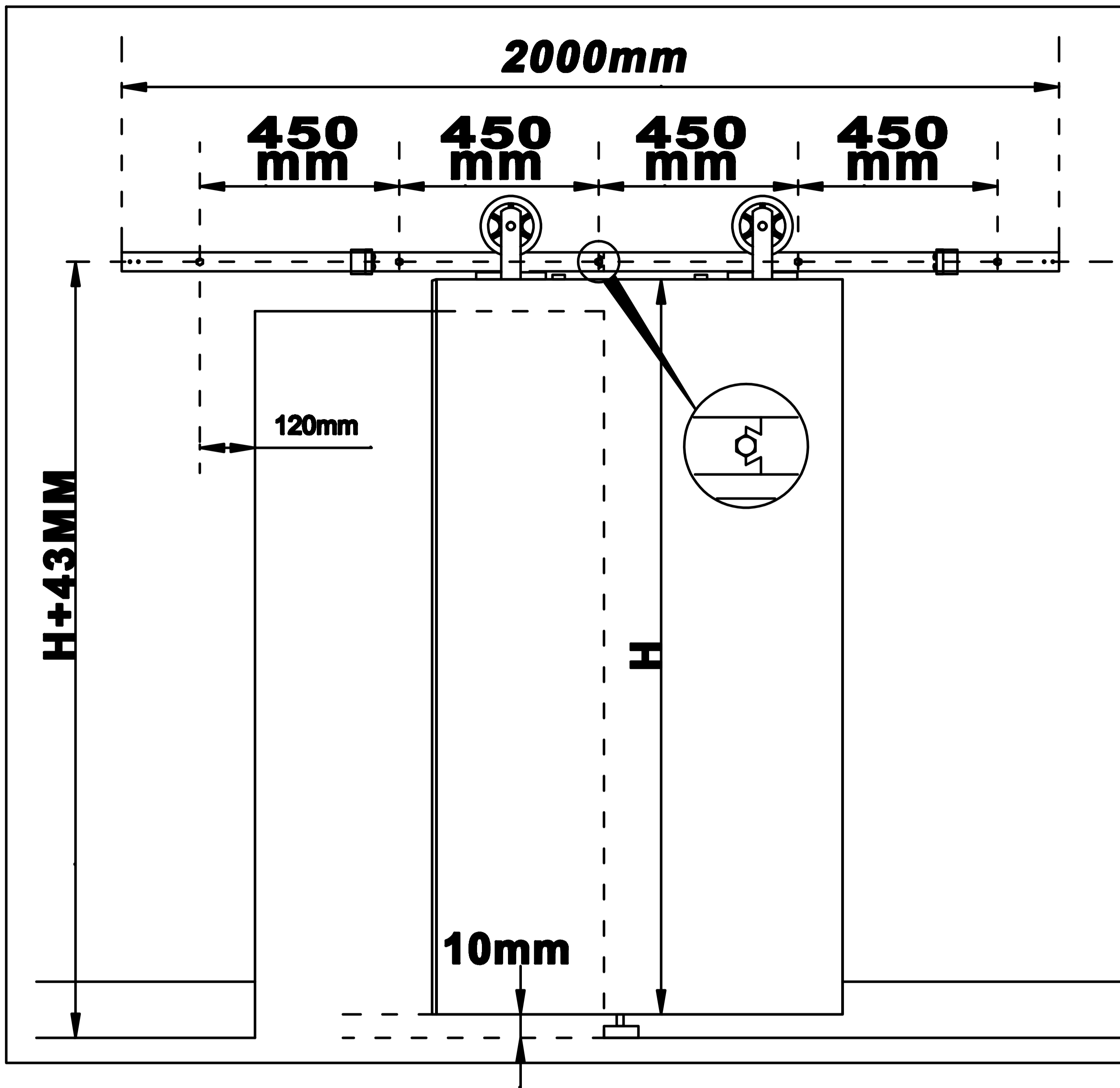
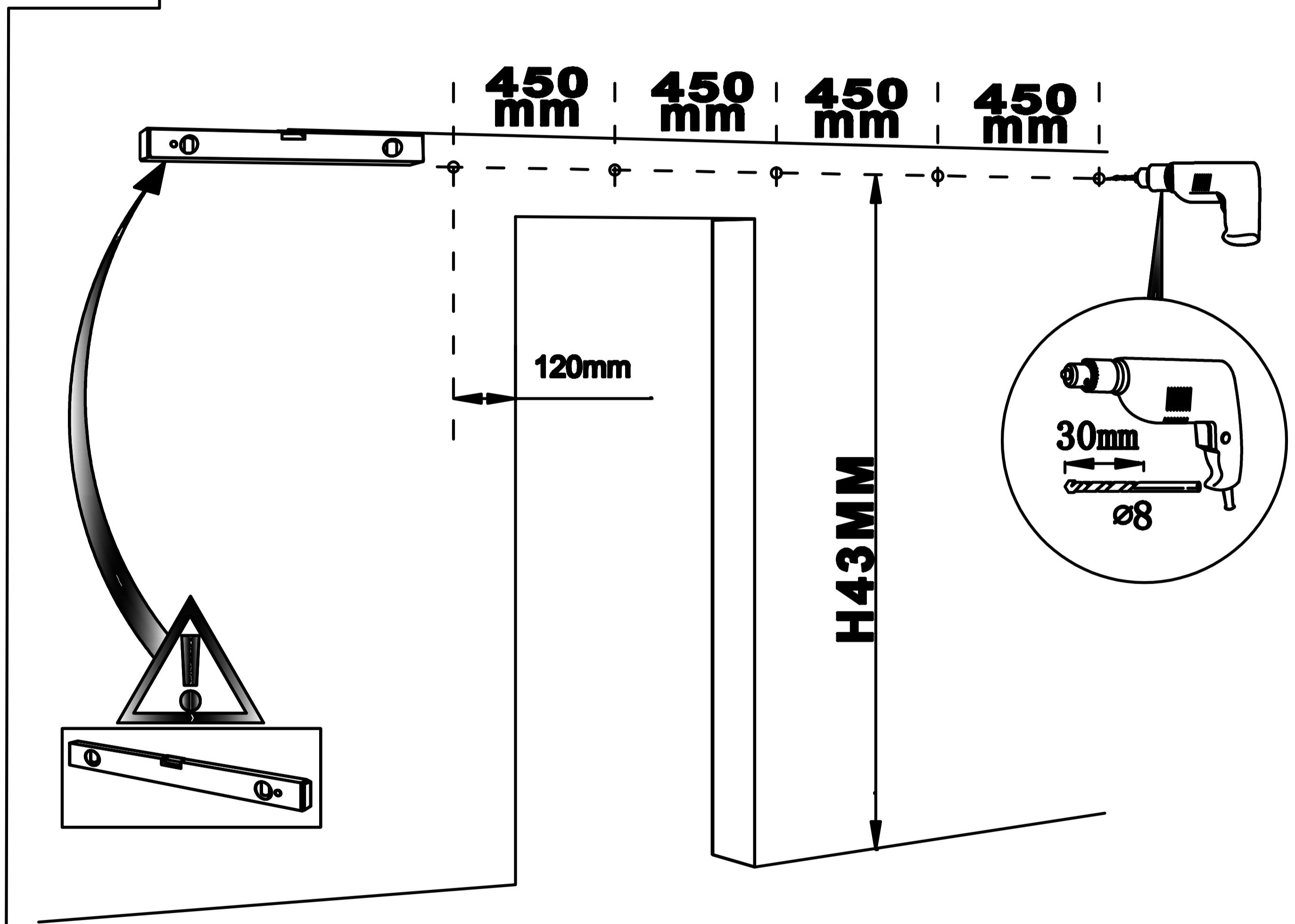


Installation Manual



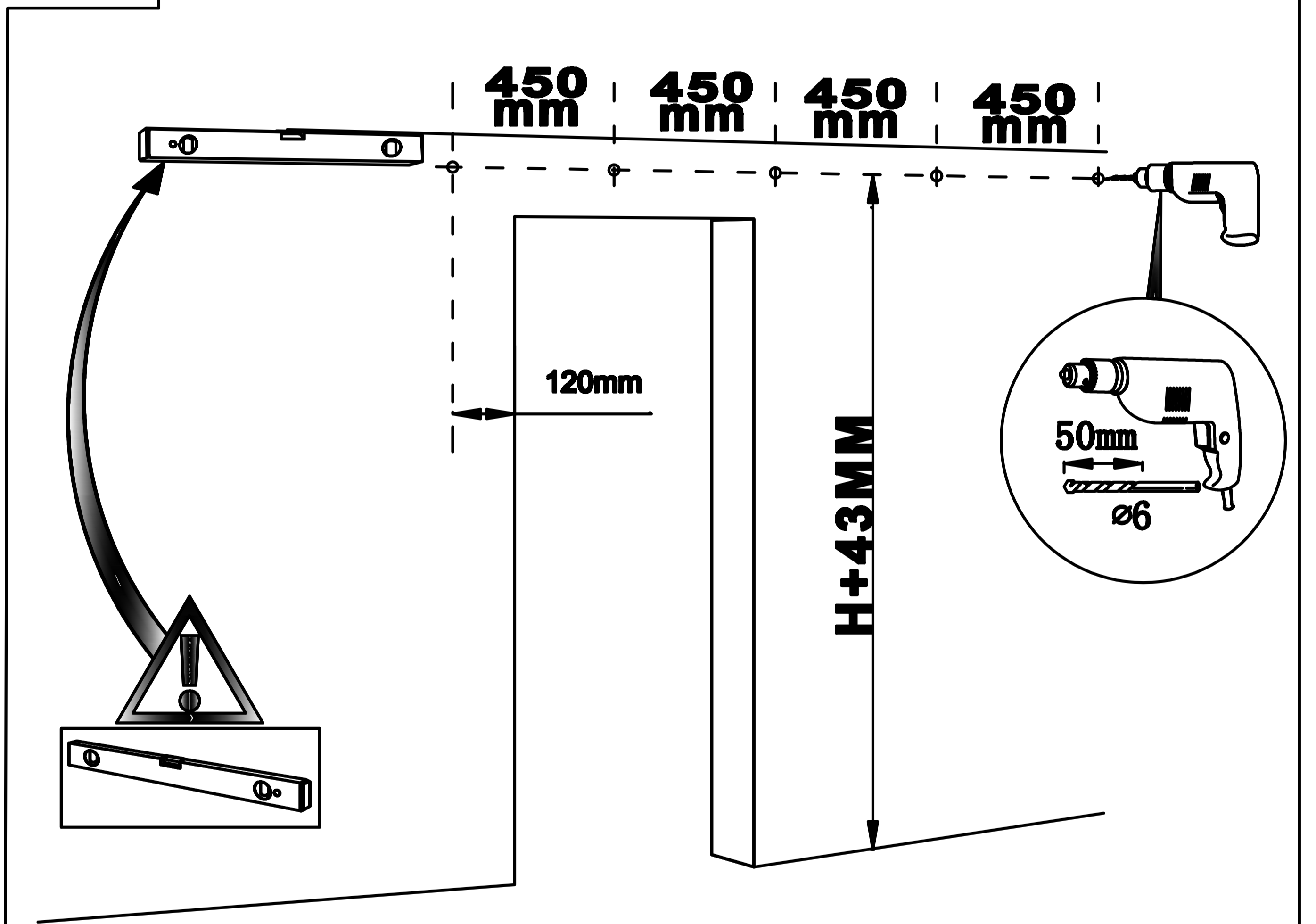
1A

For masonry installation



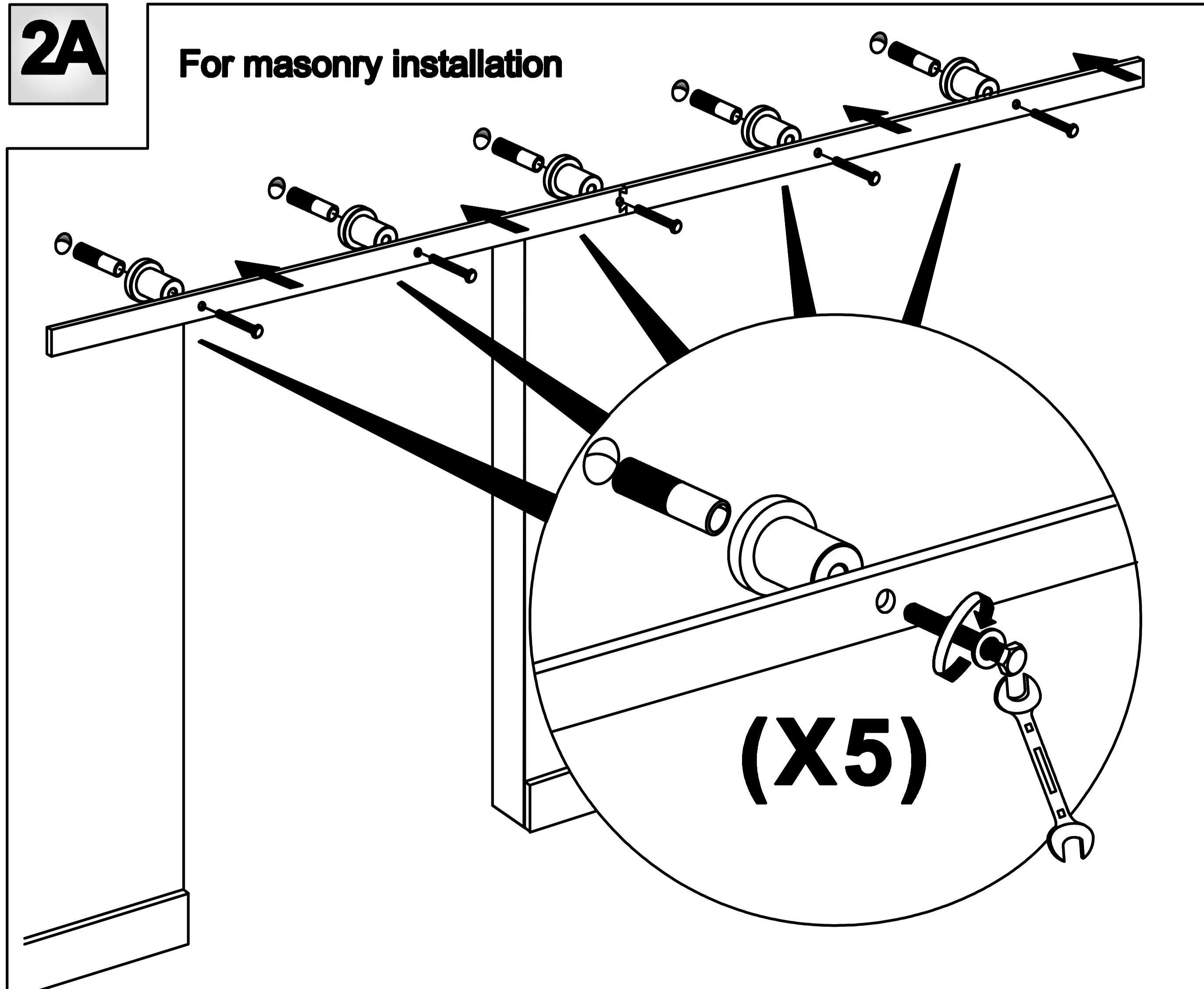
1B

For drywall installation with support structure



2A

For masonry installation



2B

For drywall installation with support structure

