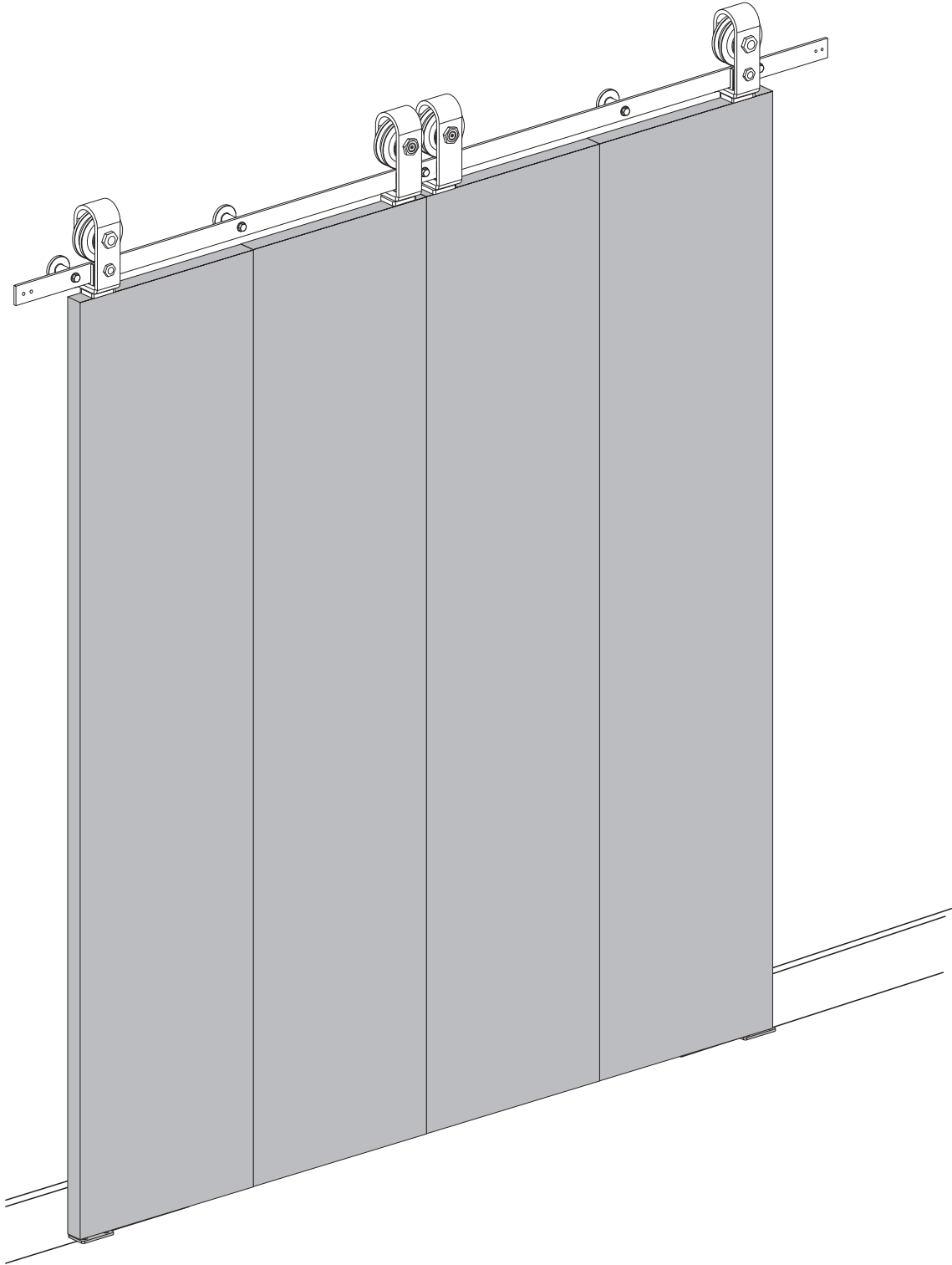
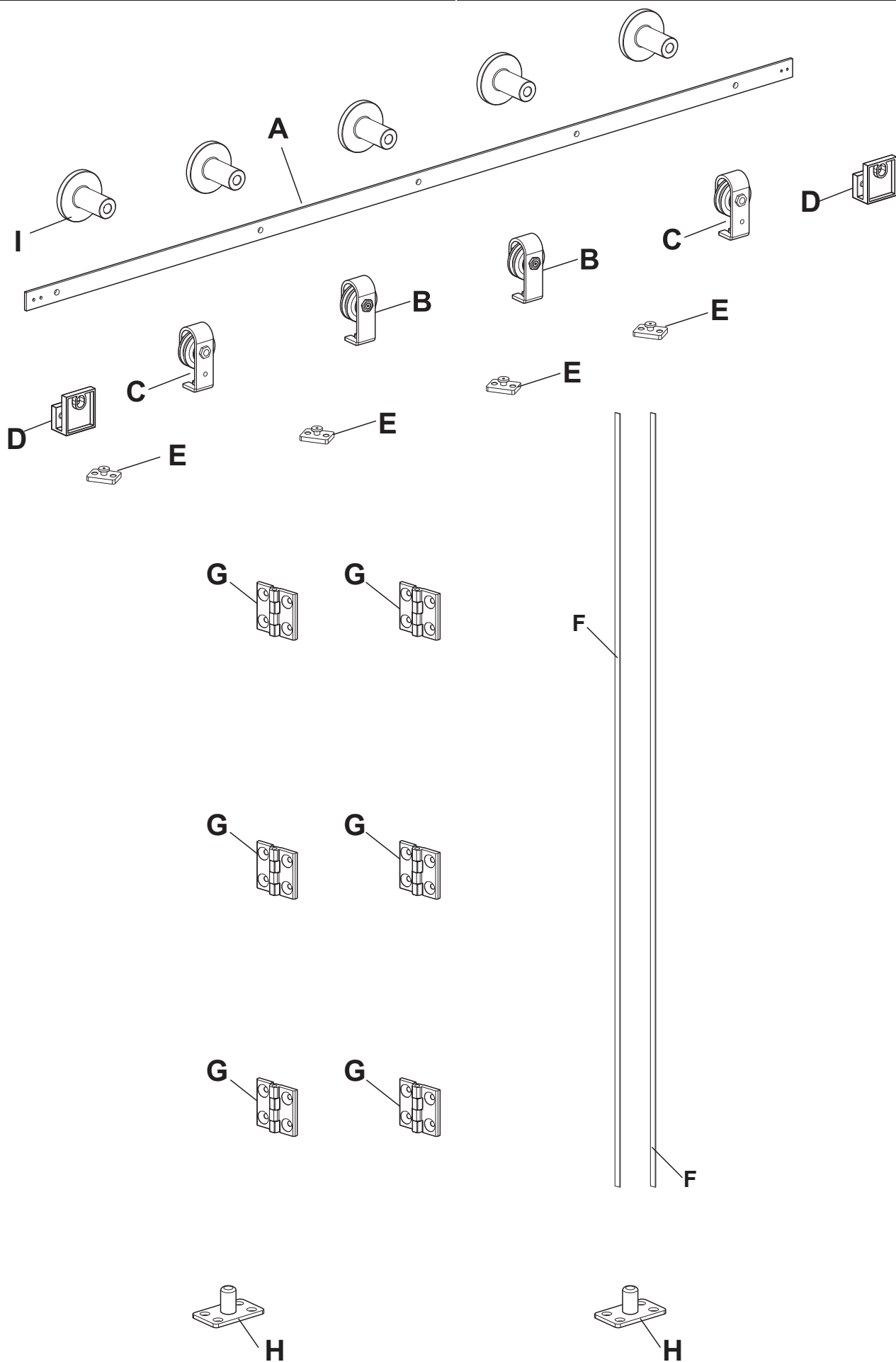


Installation Manual

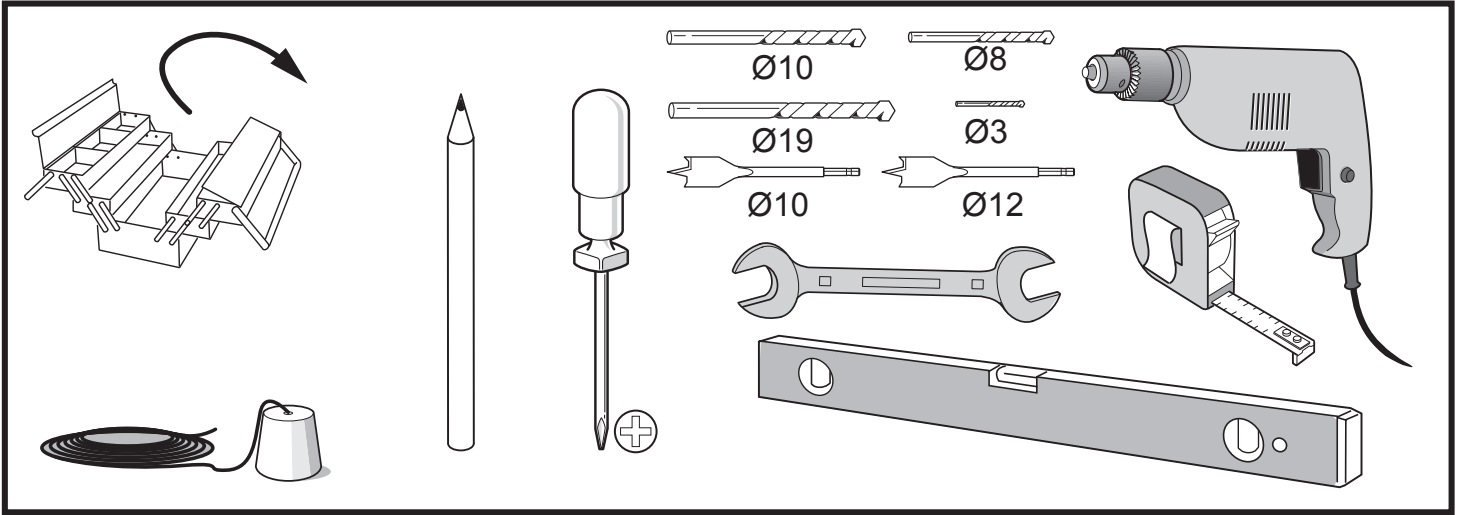


Components list



Pre-installation

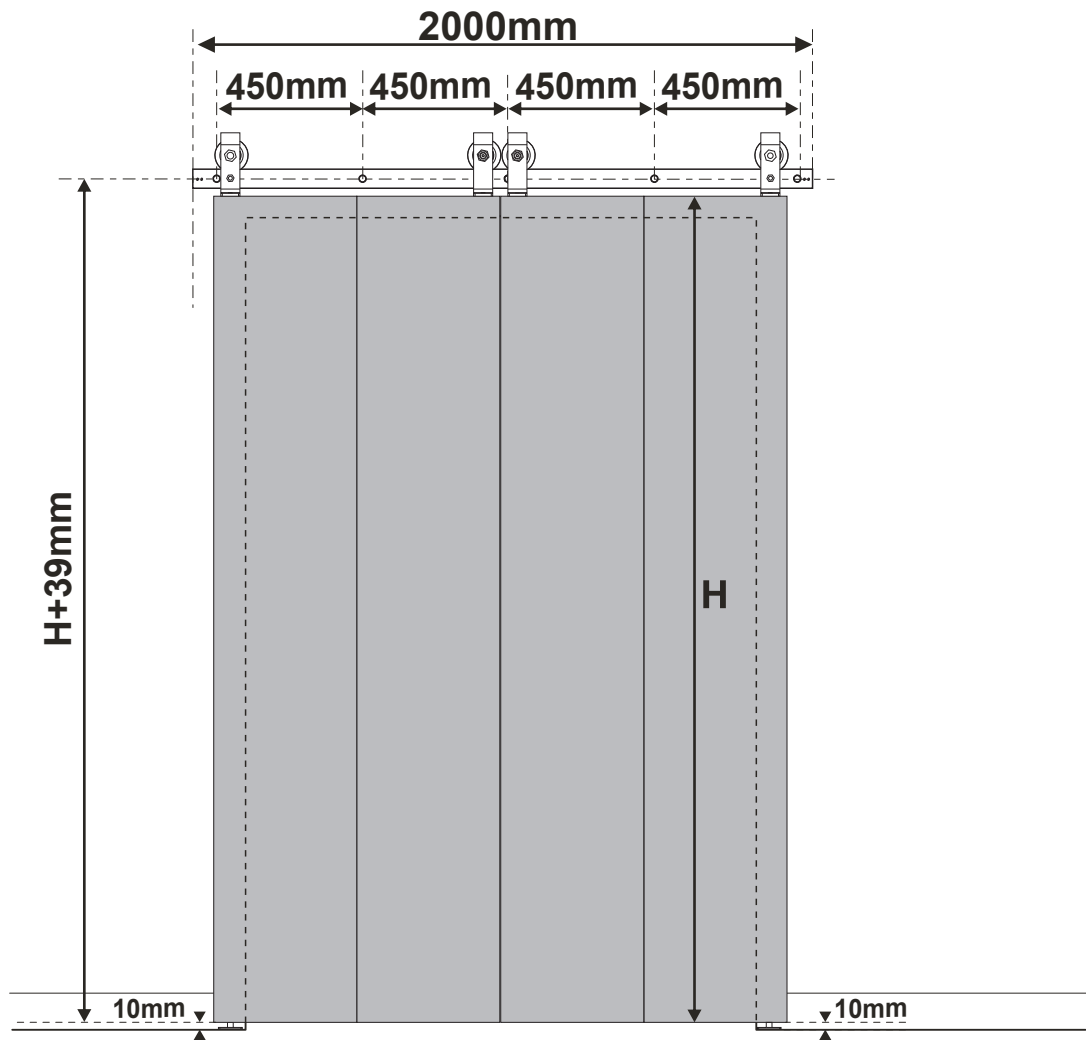
TOOLS REQUIRED



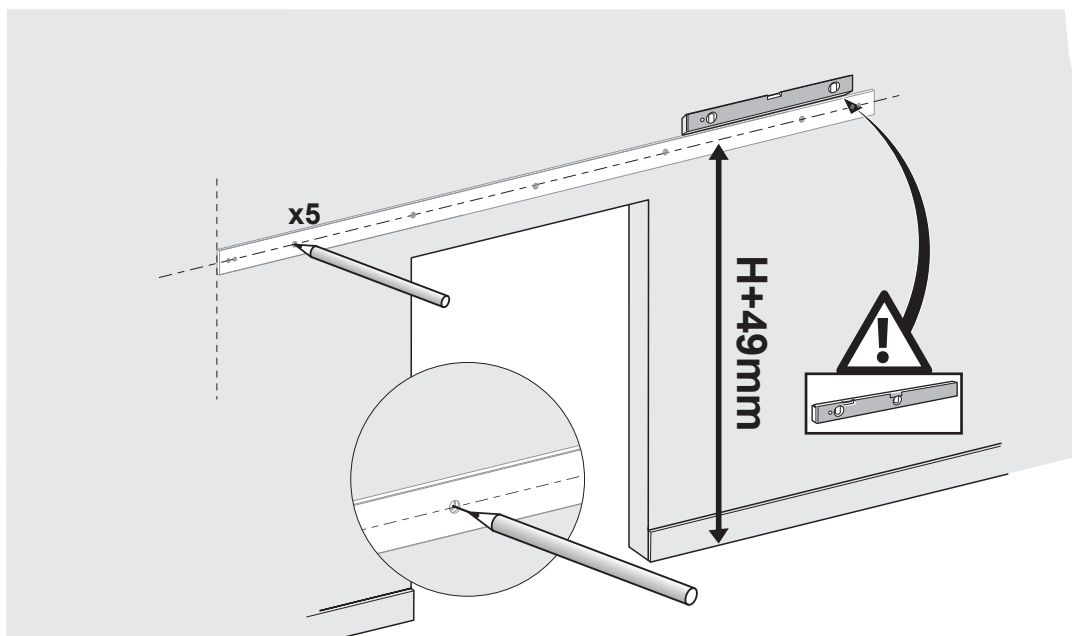
HARDWARE INCLUDED

<p>A [Ⓐ]</p> <p>M8x100(x5) (x5)</p> <p>M8x30(x5)</p> <p>(x5) (x5)</p>	<p>B [Ⓑ]</p> <p>Ø10X48(x5)</p> <p>M8x110(x5)</p>	<p>x1</p> <p>(x4)</p>	<p>B</p> <p>(x2)</p>	<p>C</p> <p>(x2)</p> <p>M5x26(x2) (x2)</p>
<p>D</p> <p>(x2)</p> <p>M5x6(x4)</p>	<p>E</p> <p>ST4. 8X50(x8)</p> <p>(x4)</p>	<p>F</p> <p>x2</p>		
<p>G</p> <p>(x6)</p> <p>ST6X25(x24)</p>	<p>H</p> <p>(x2)</p> <p>(x2)</p> <p>Ø8X35(x8)</p> <p>ST4. 2X32(x8)</p>	<p>I</p> <p>(x5)</p>		
<p>J</p> <p>2mm 2.5mm 4mm</p>				

Installation

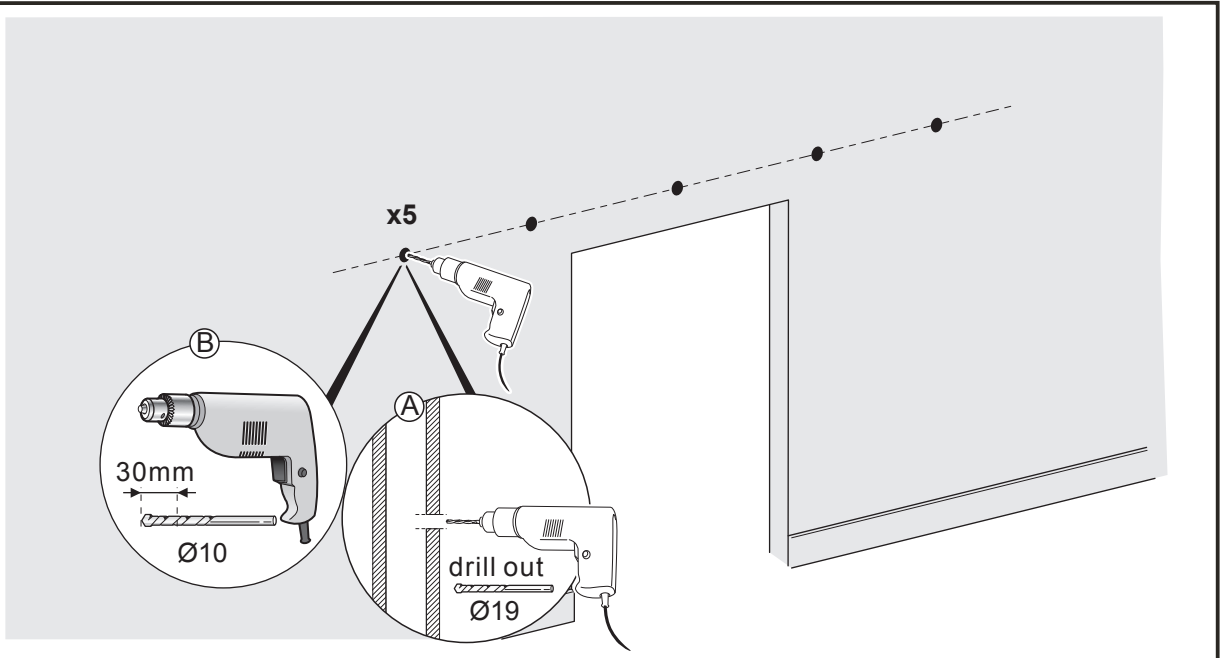


1

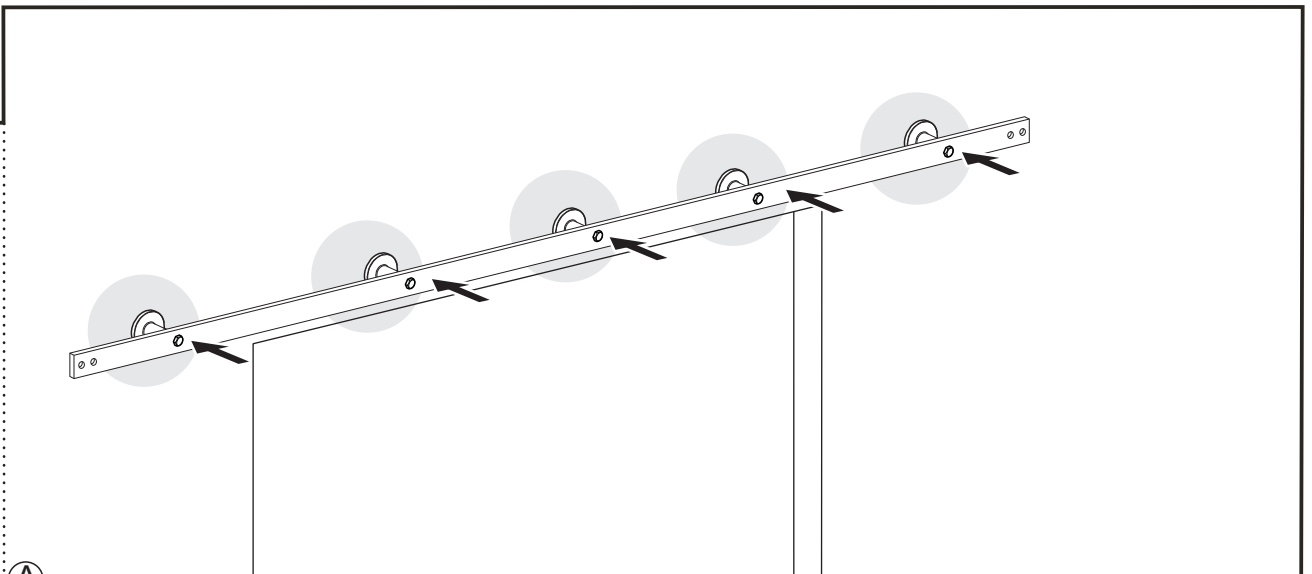


Installation

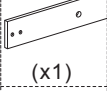
2



3



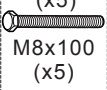
A



(x1)



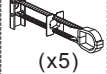
(x5)



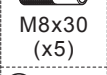
M8x100
(x5)



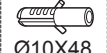
(x5)



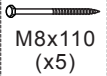
(x5)



M8x30
(x5)



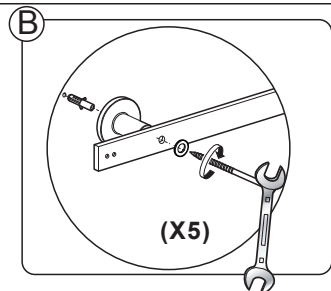
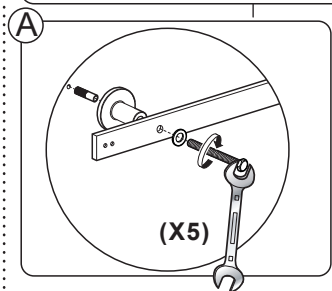
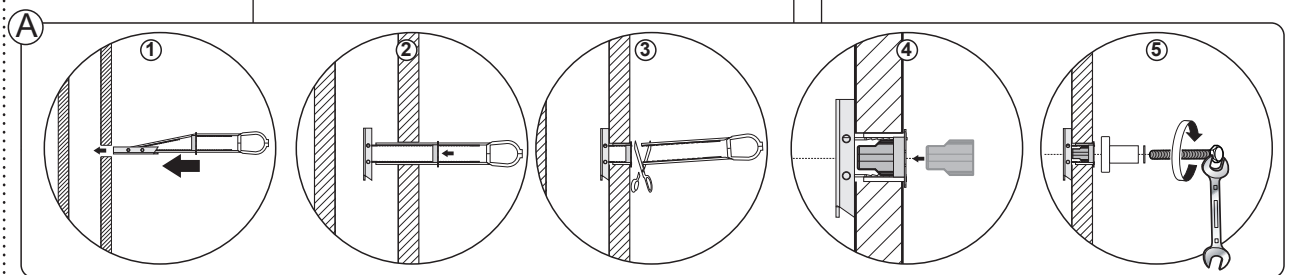
(x5)



M8x110
(x5)

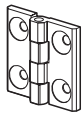


(x5)



4

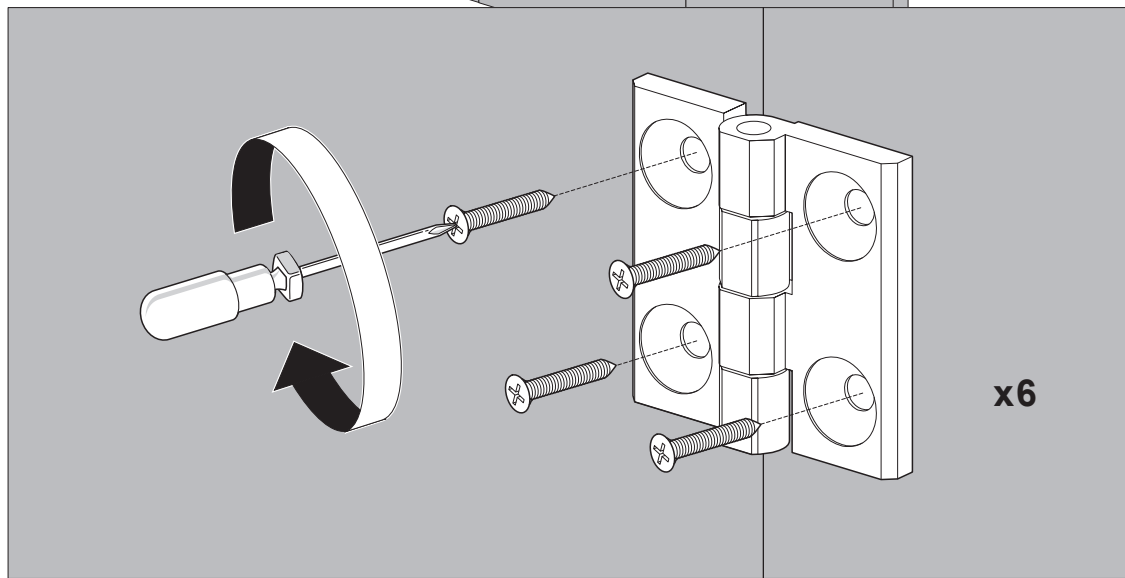
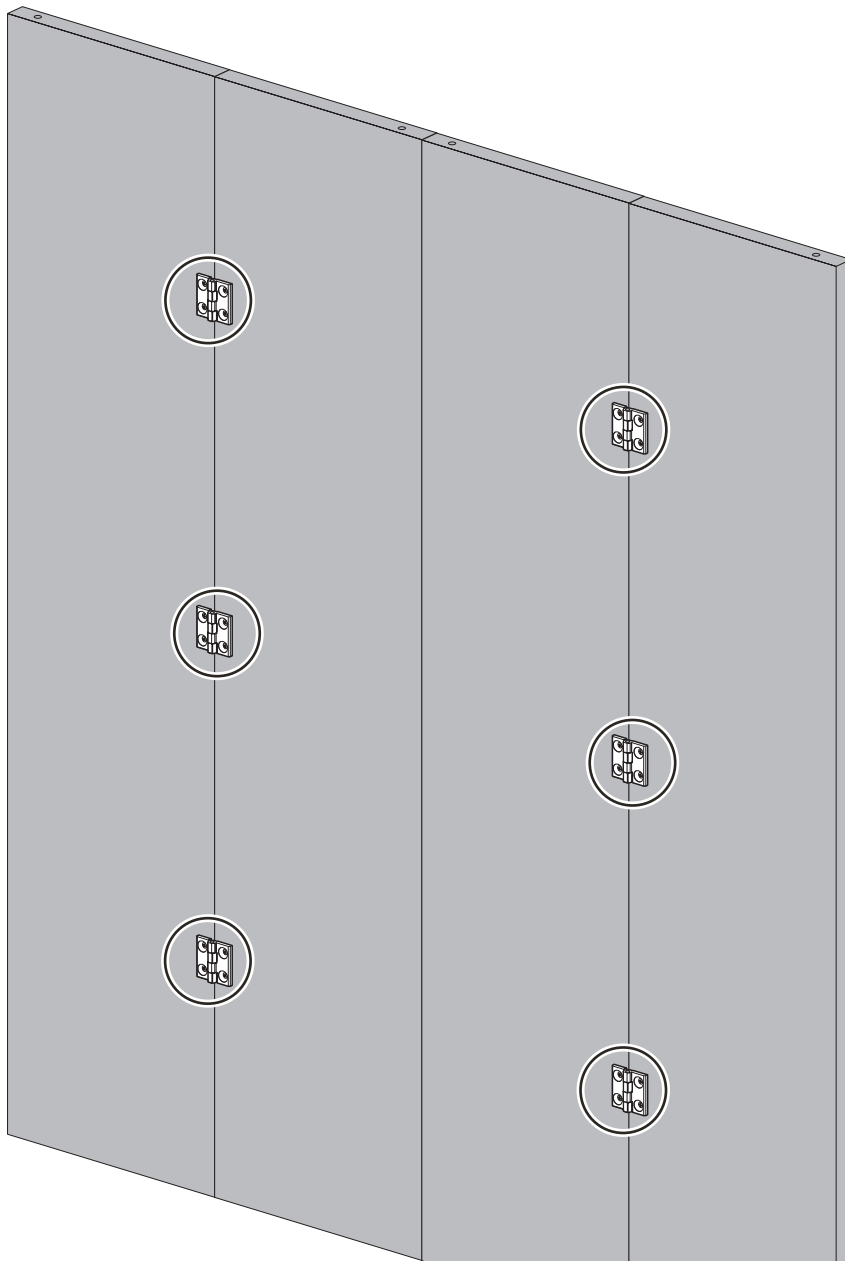
G



(x6)



ST6x25
(x 24)



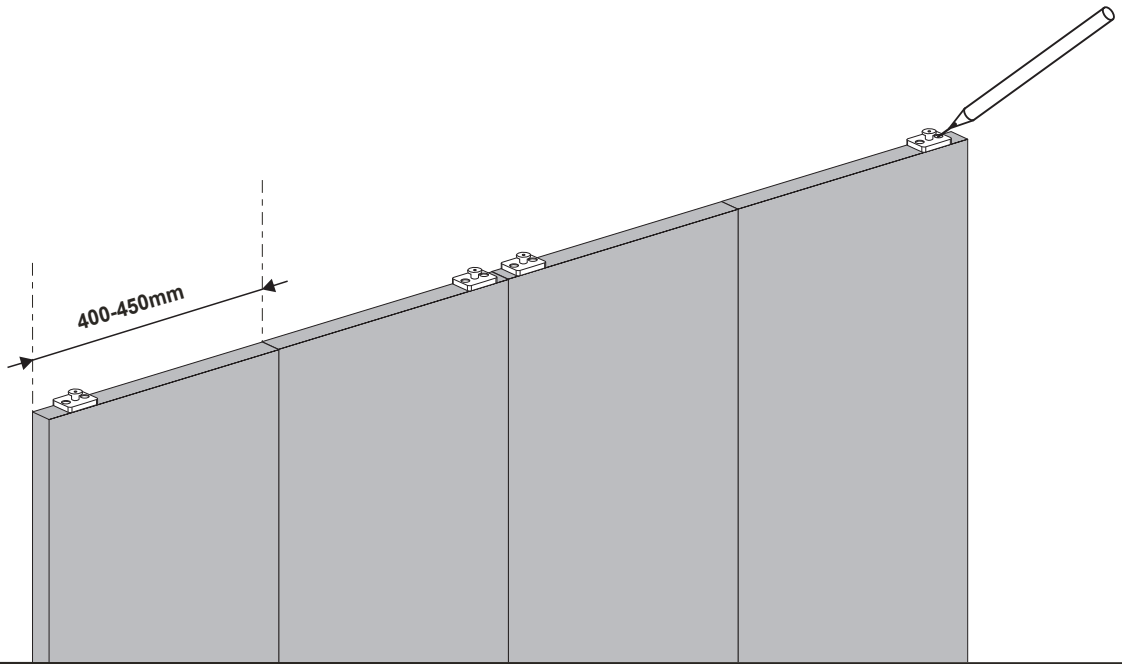
x6

5

E



(x4)

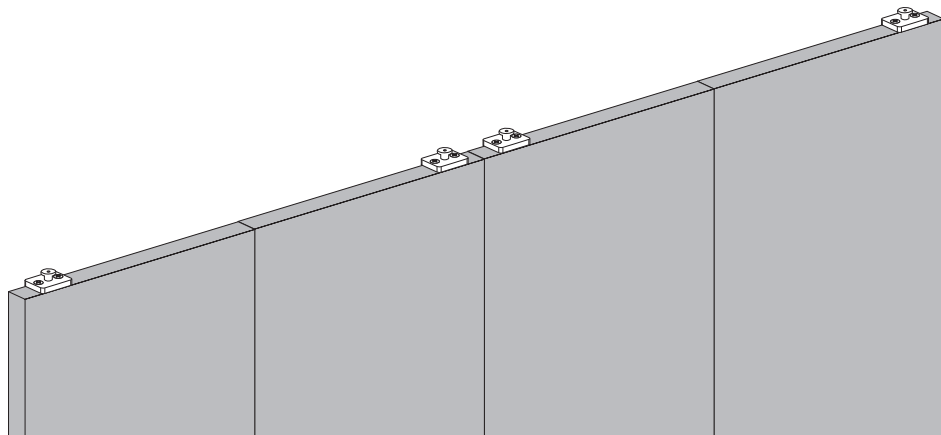
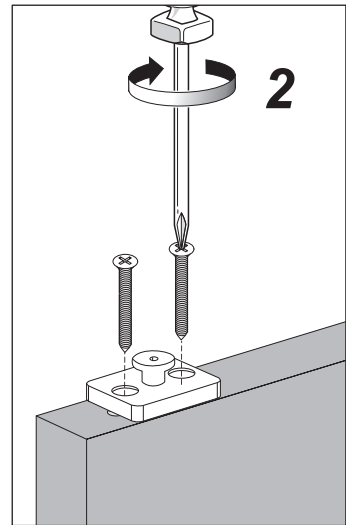
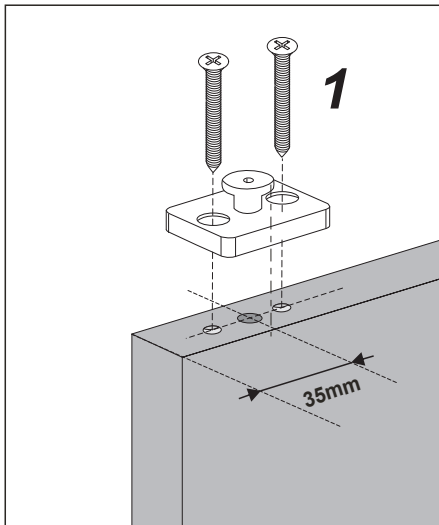


6

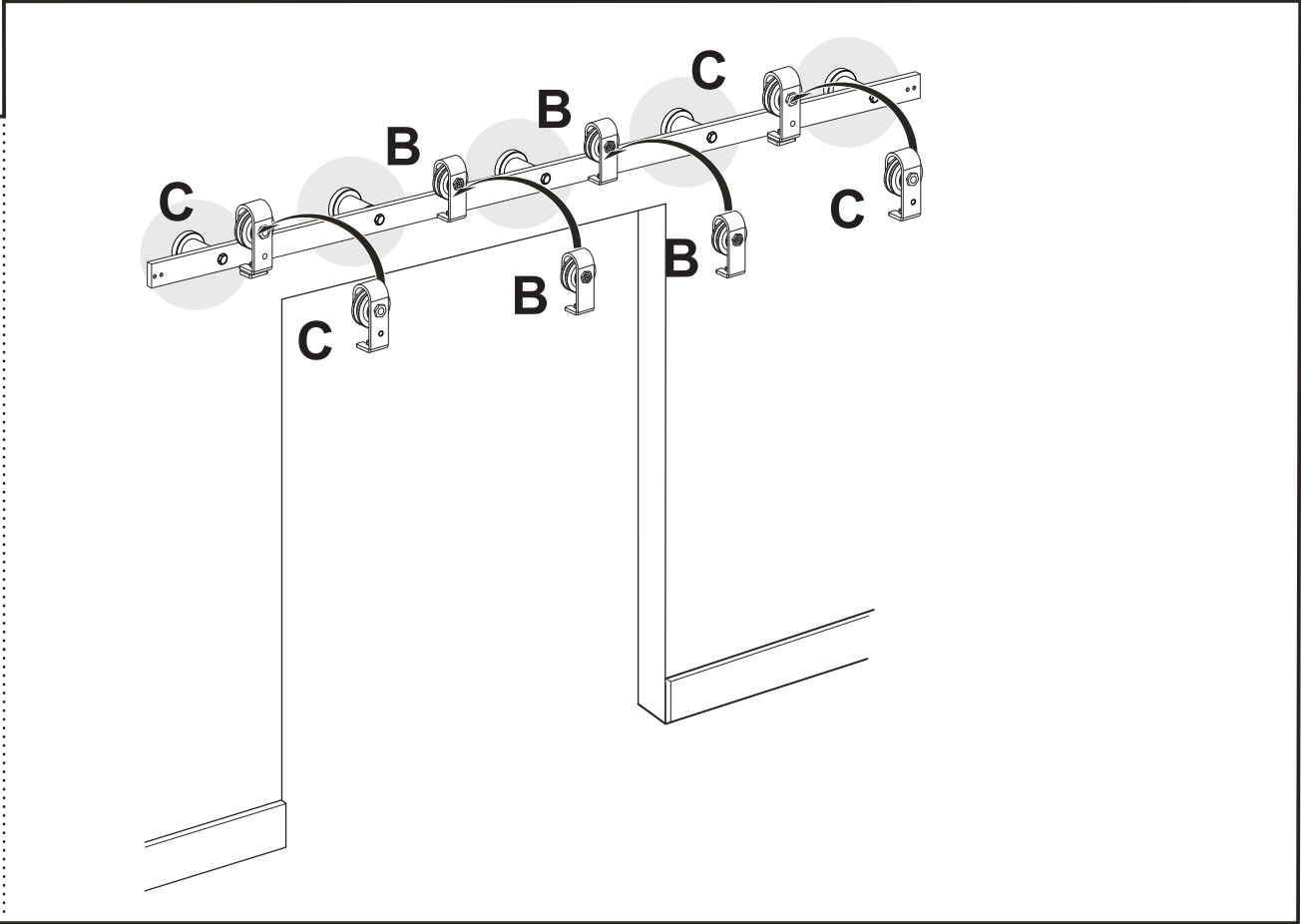
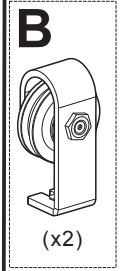
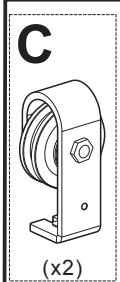
E



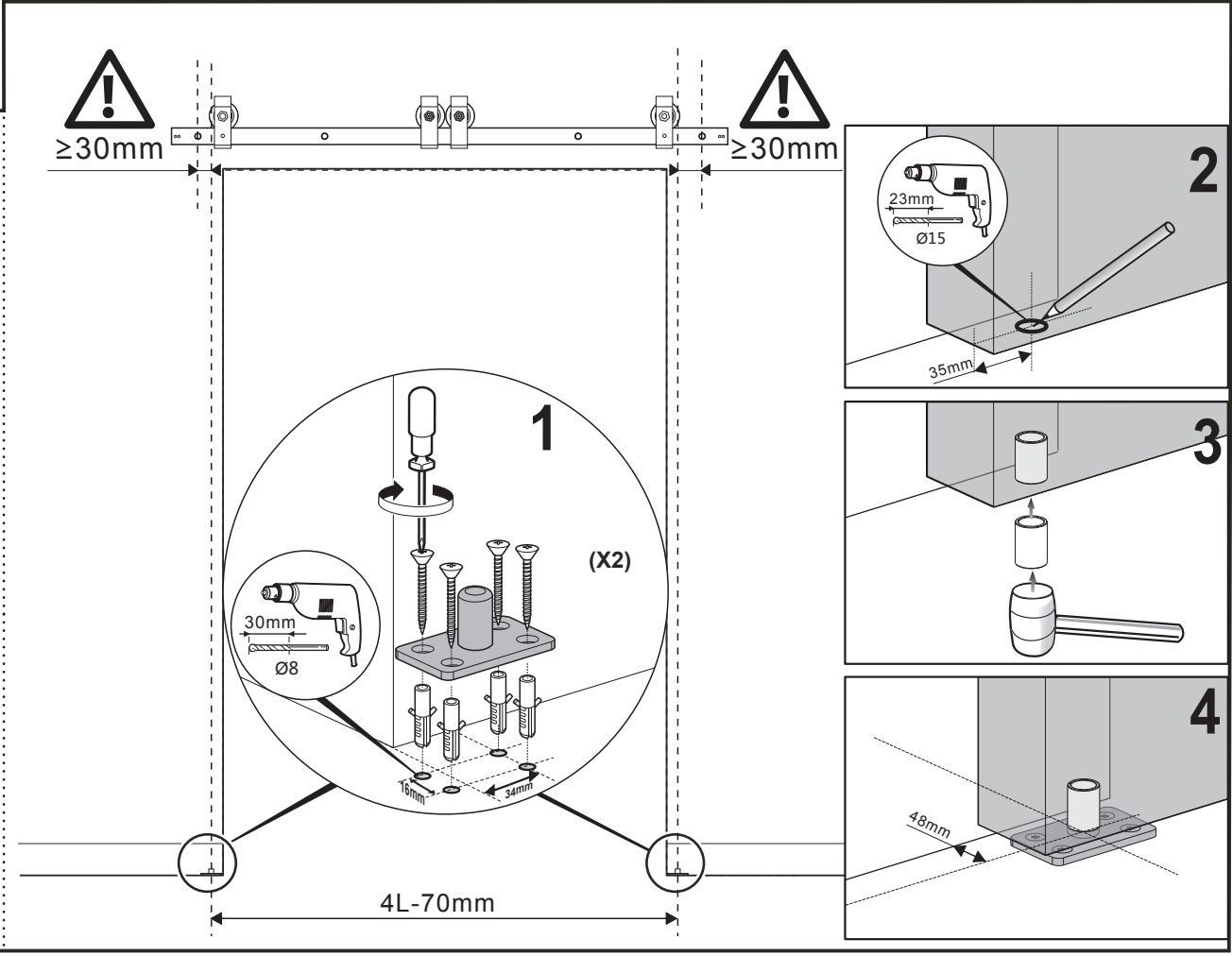
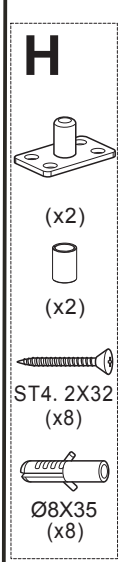
ST4. 8X50
(x8)



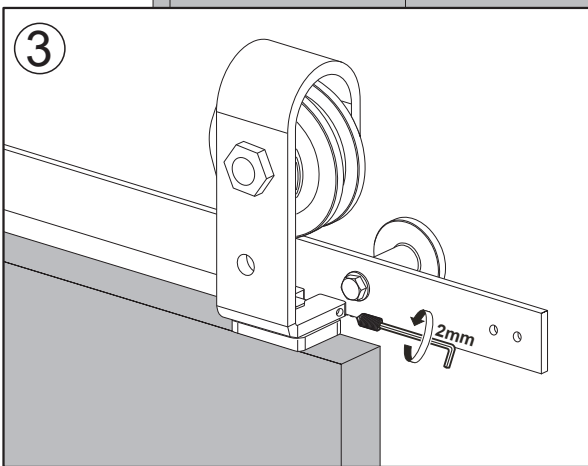
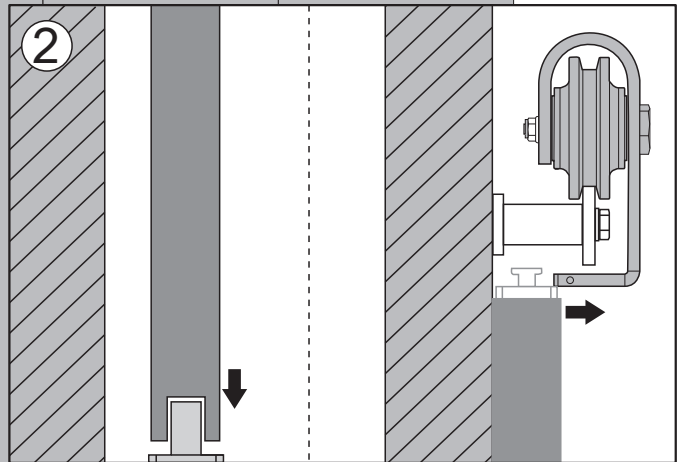
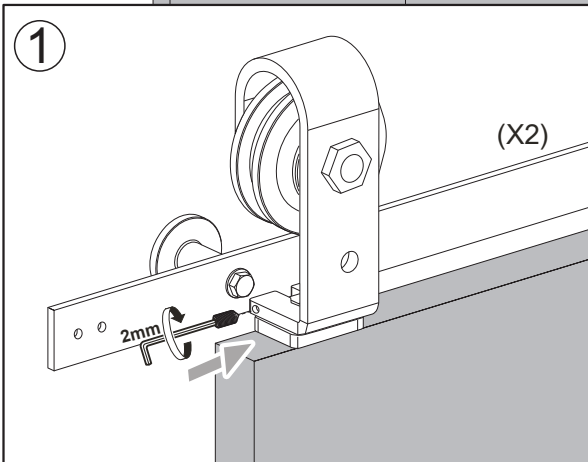
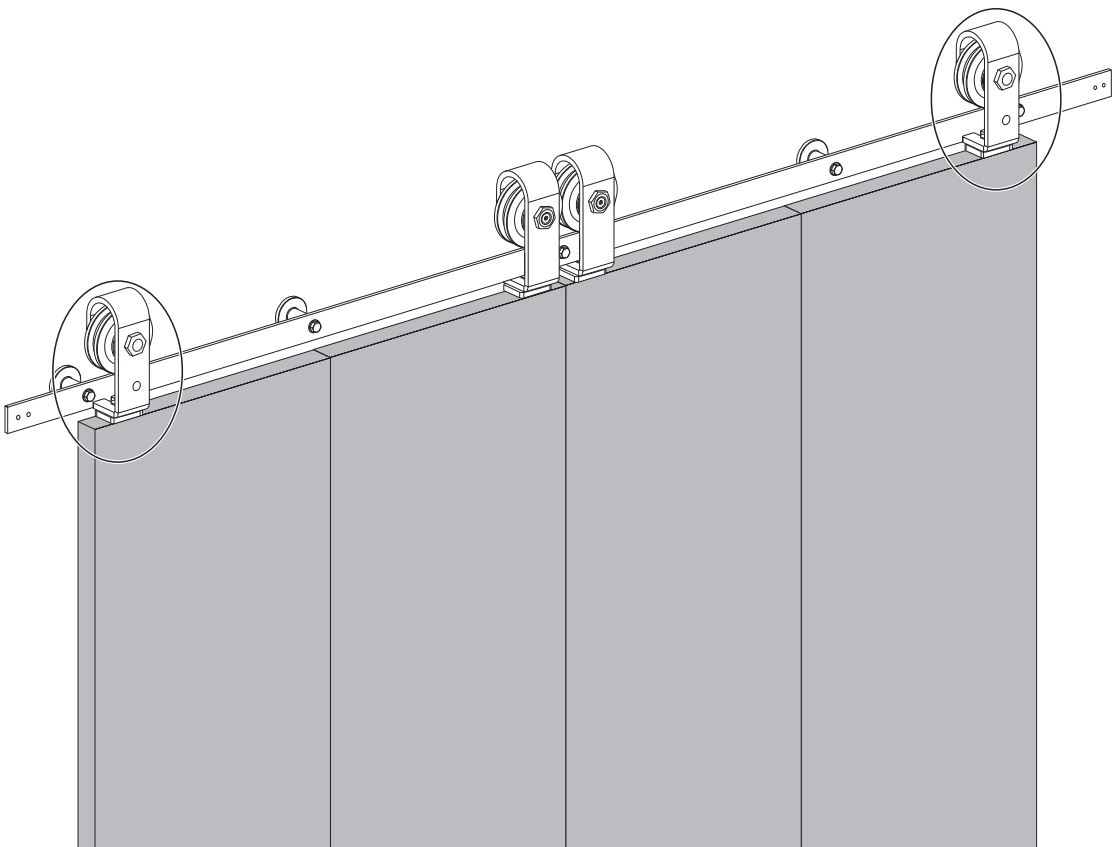
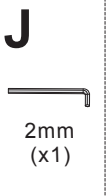
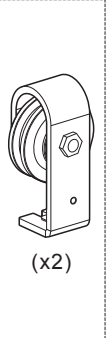
7



8



9





(x2)

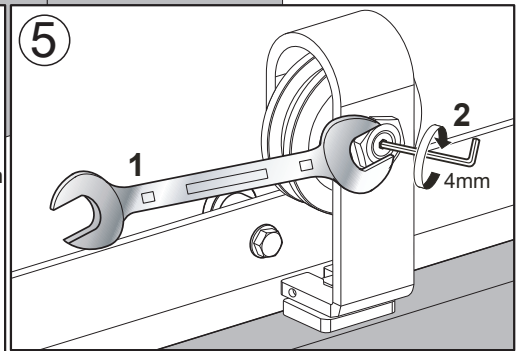
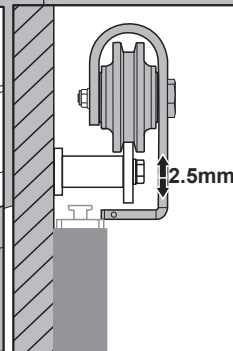
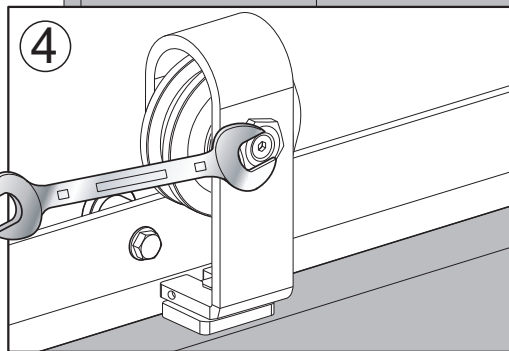
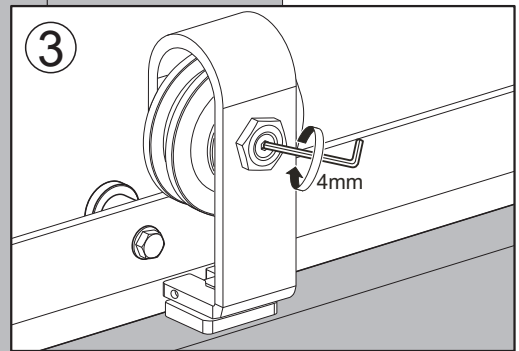
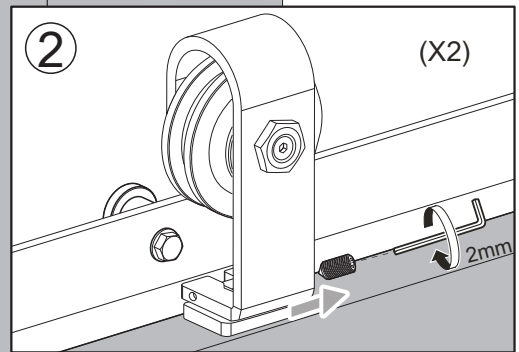
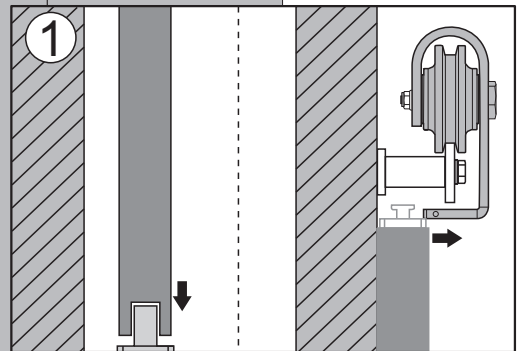
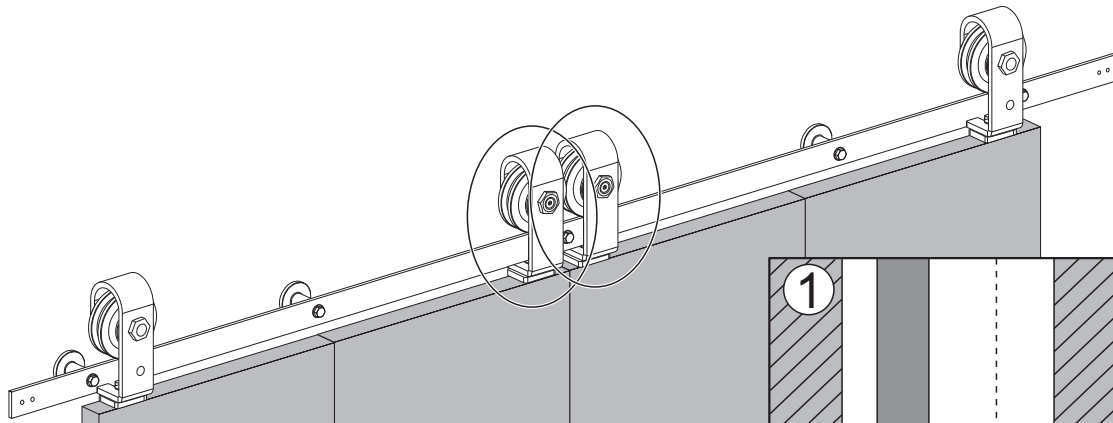
J



2mm
(x1)



4mm
(x1)



11

C



M5x26
(x2)



(x2)

J



2.5mm
(x1)

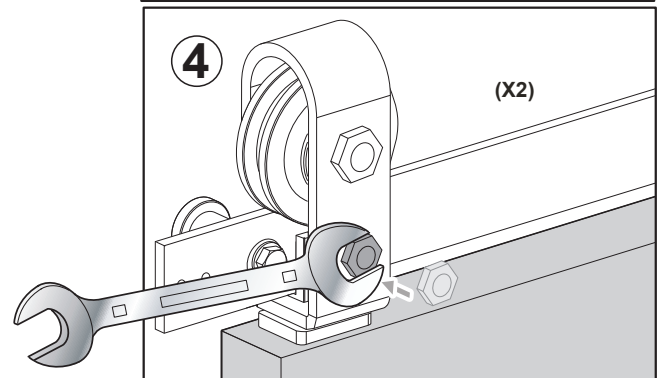
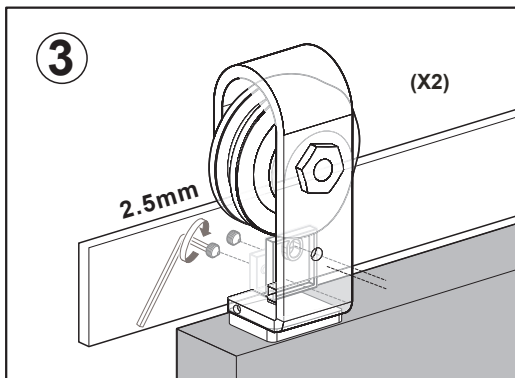
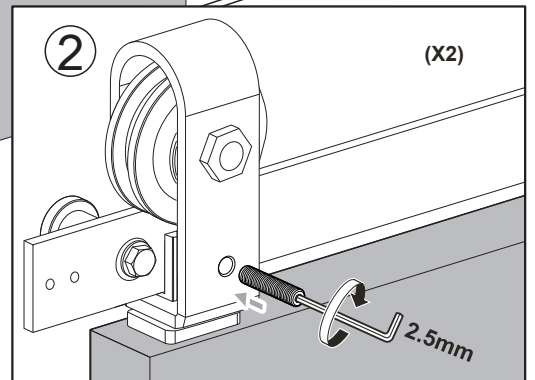
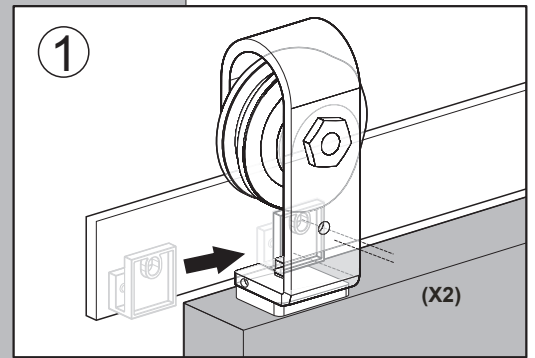
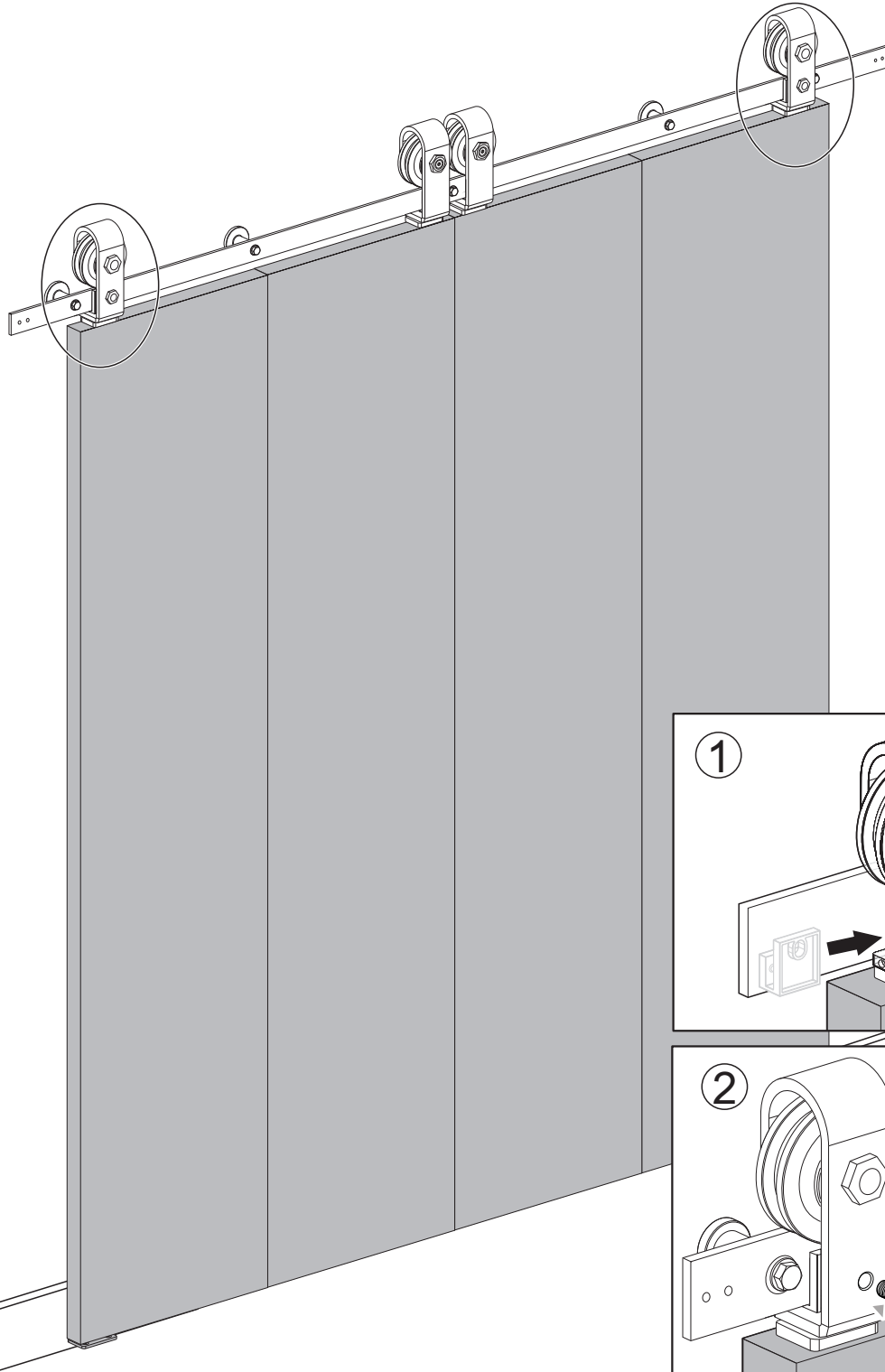
D



(x2)



M5x6(x4)

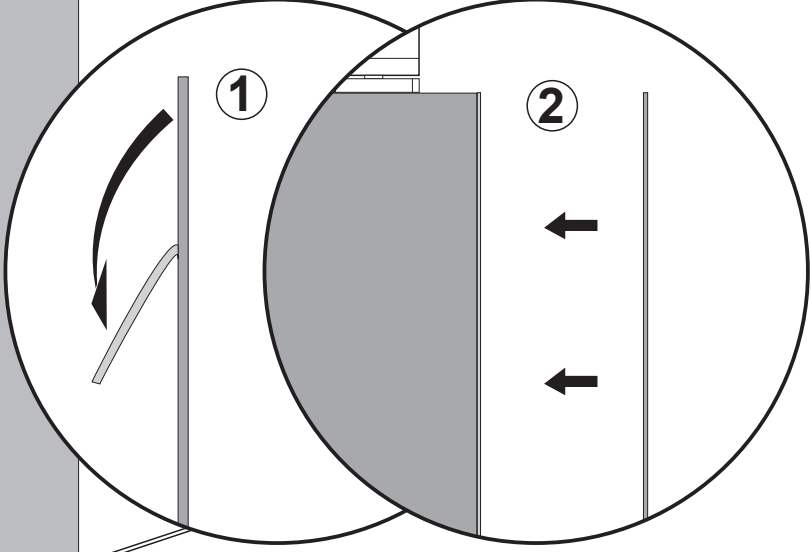
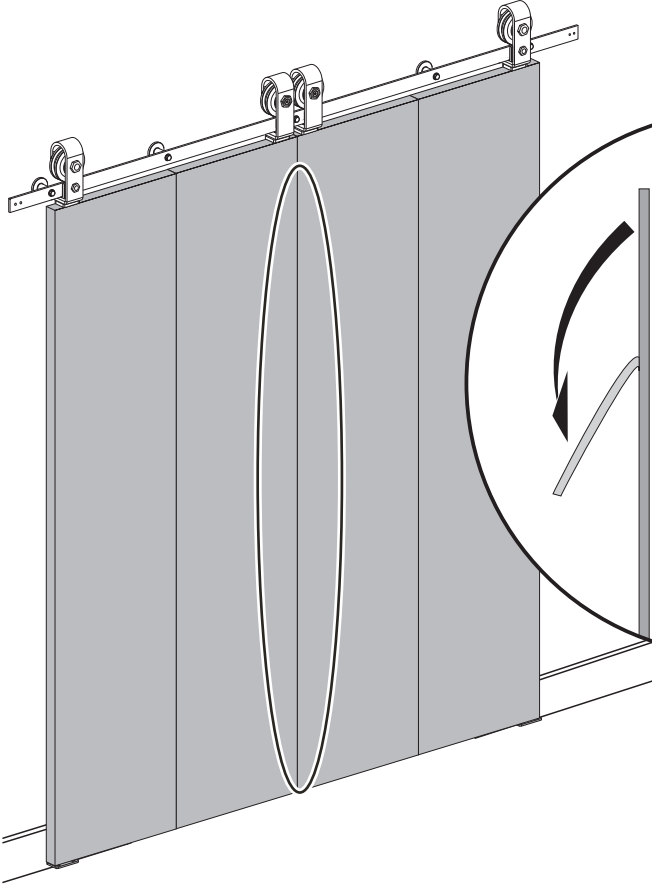


12

F



(x2)

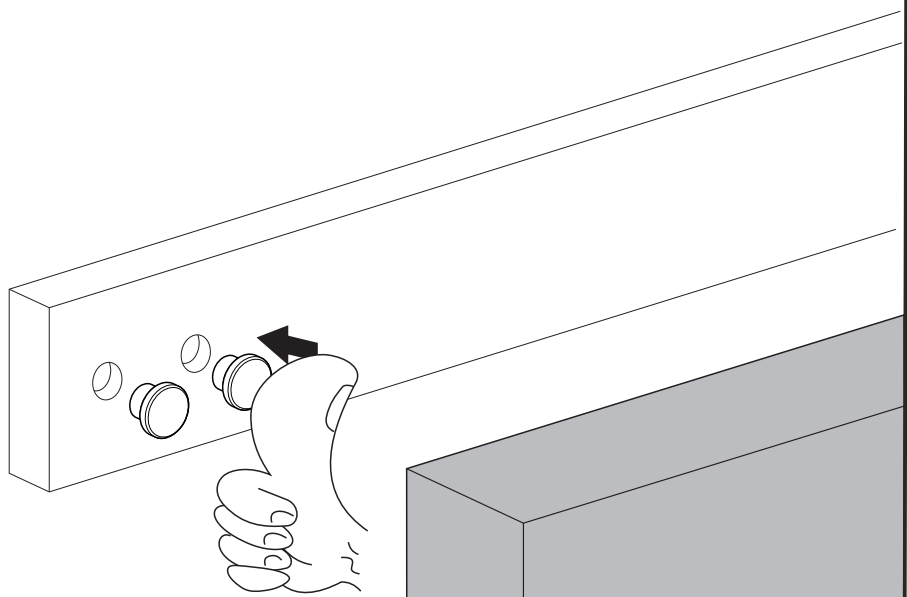


13

A



(x4)



(X4)