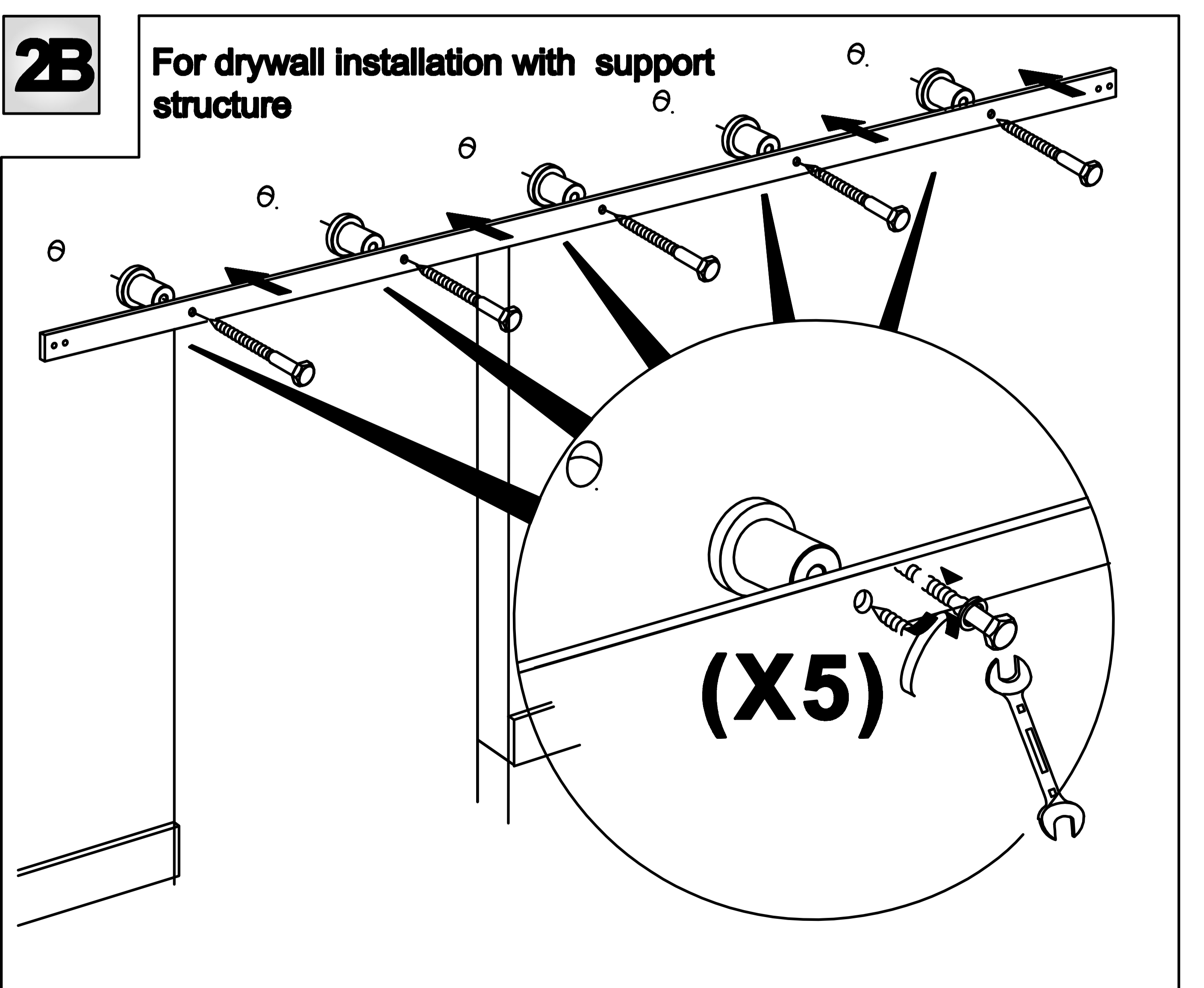
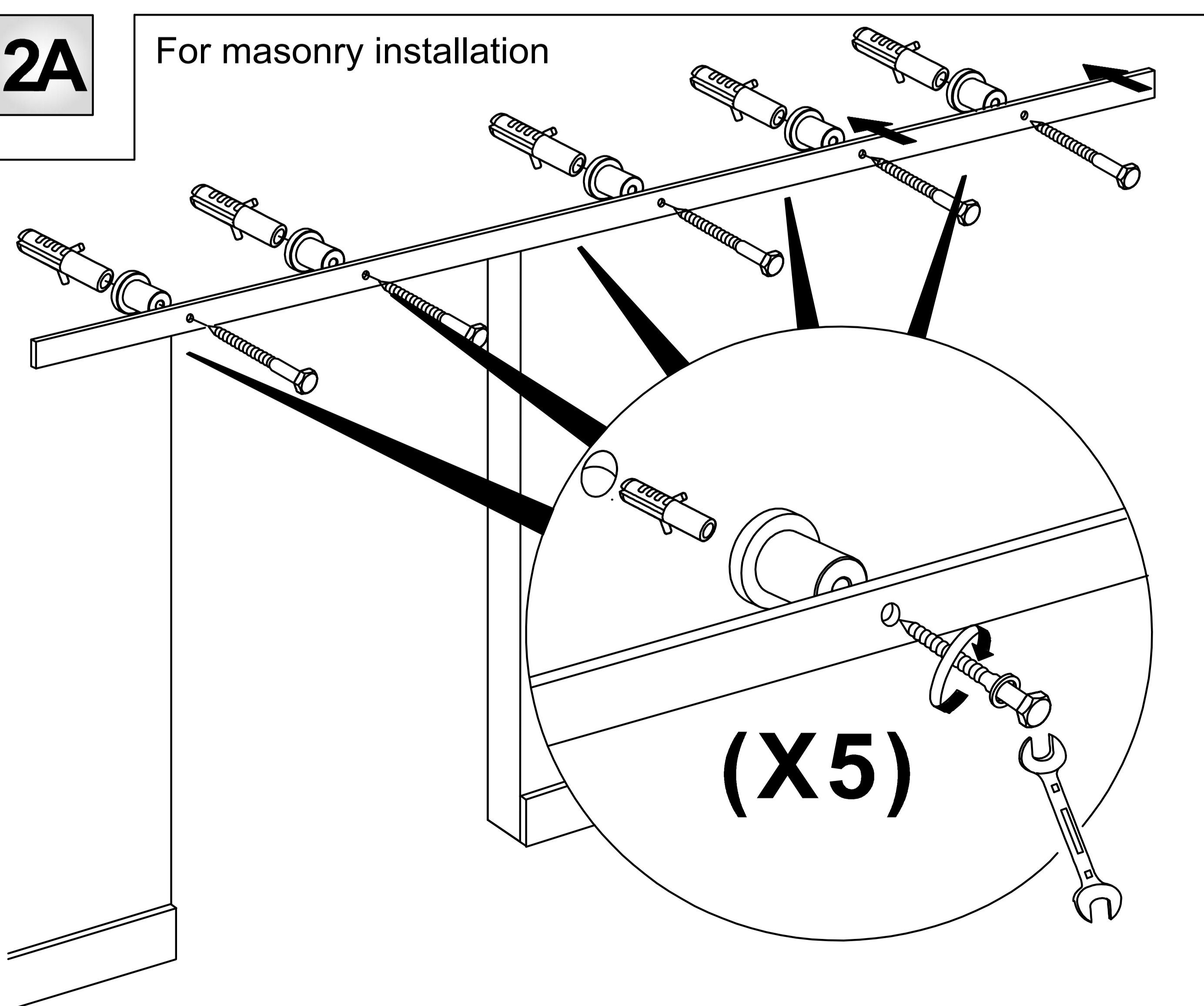
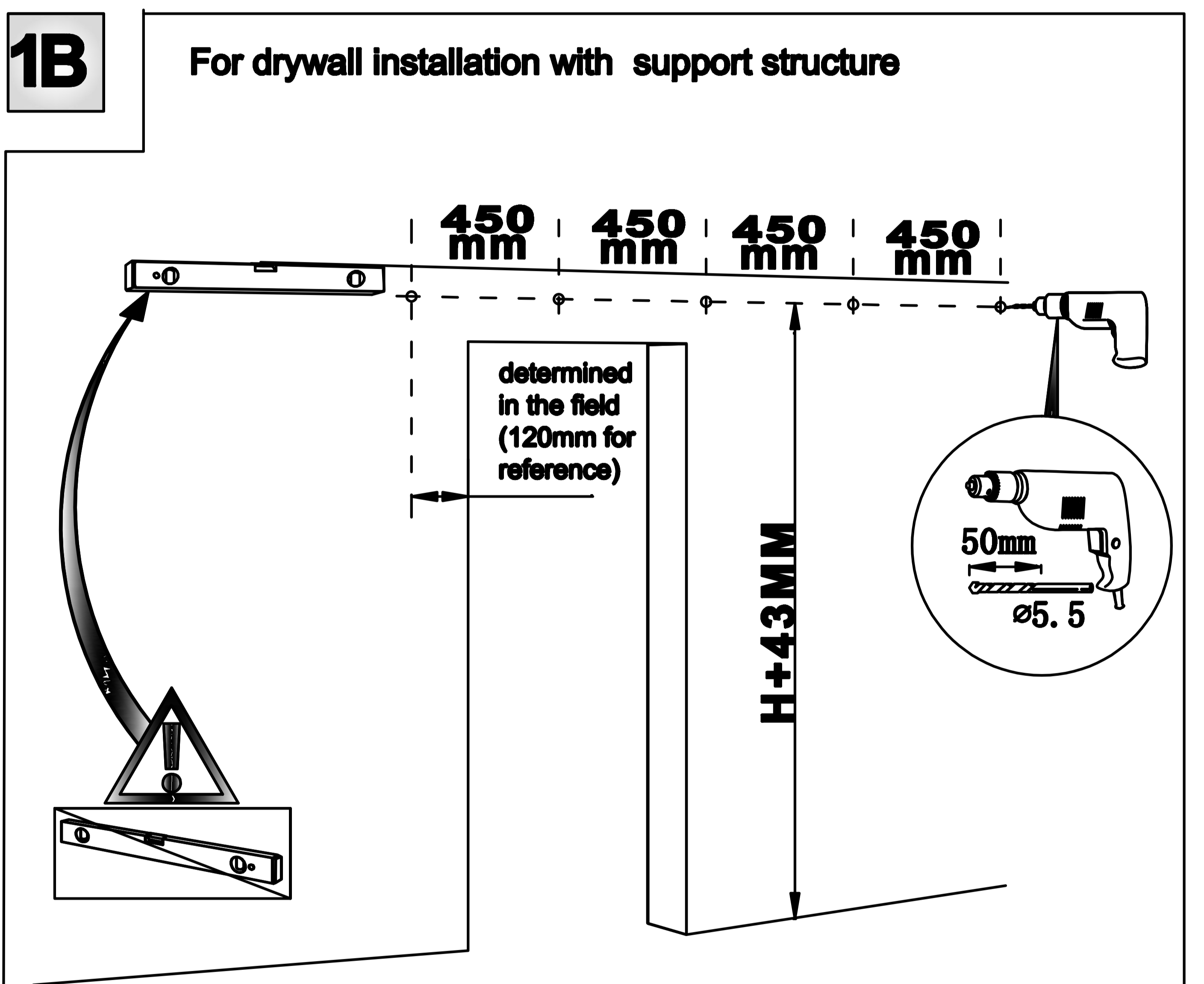
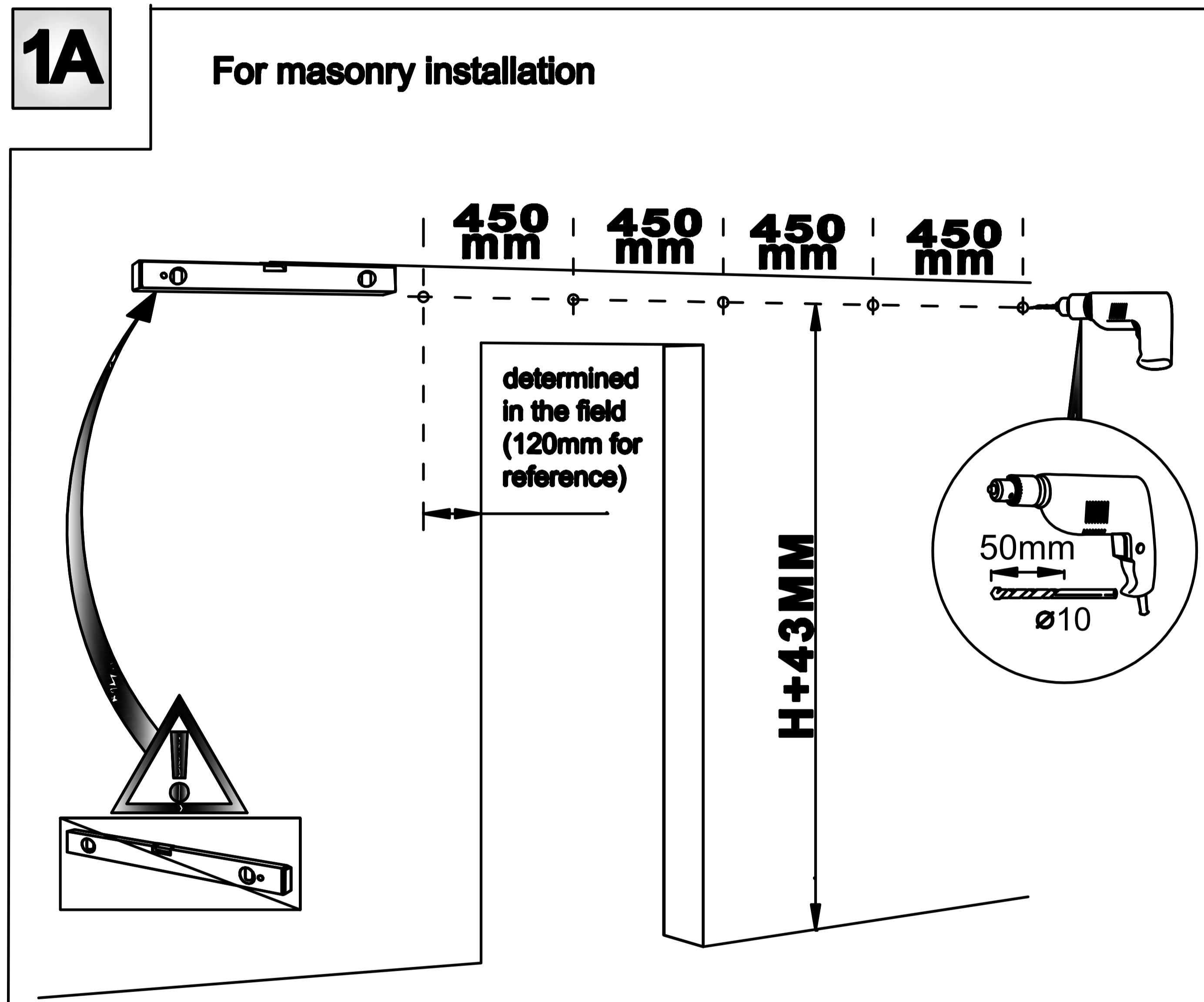
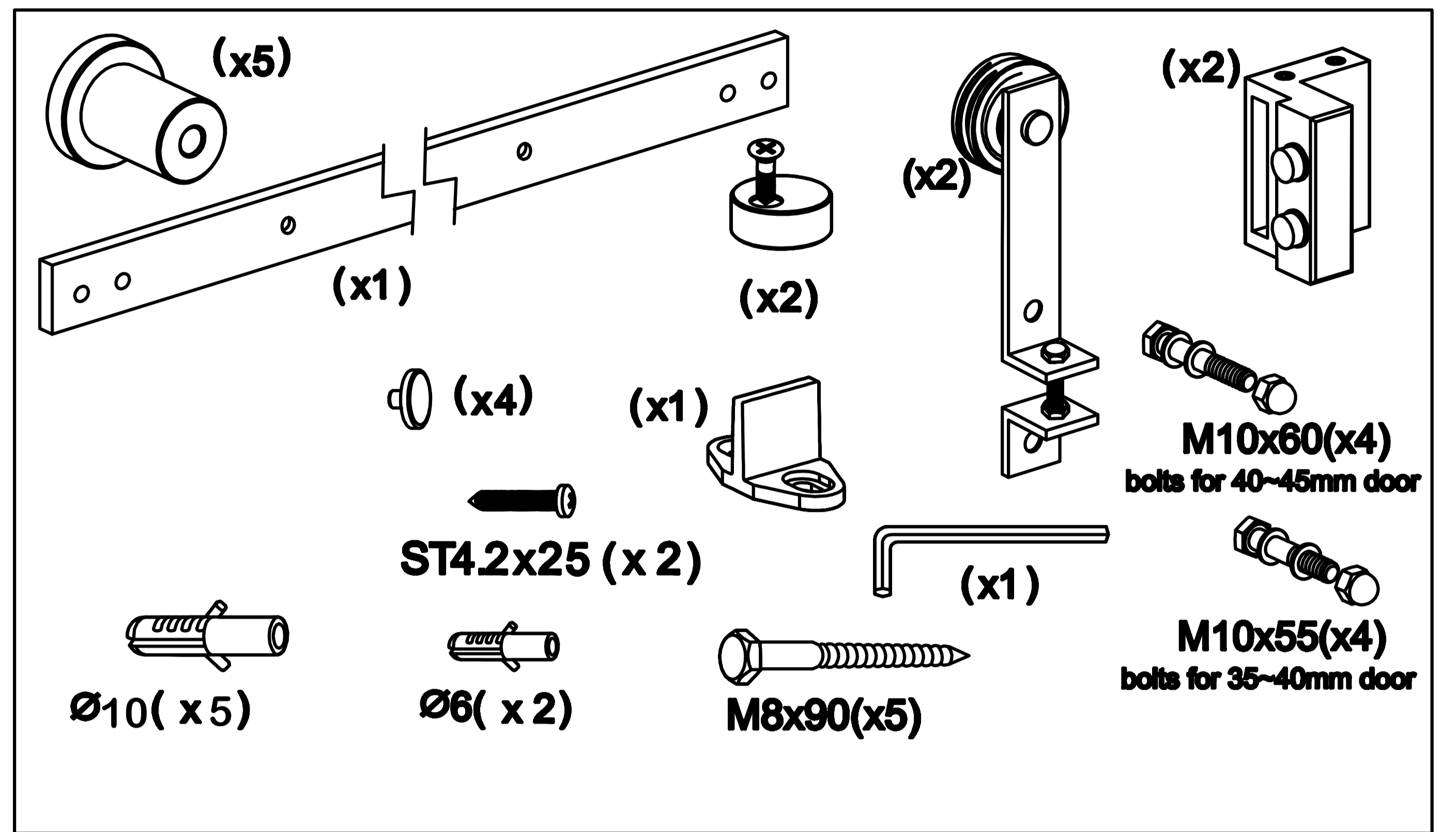
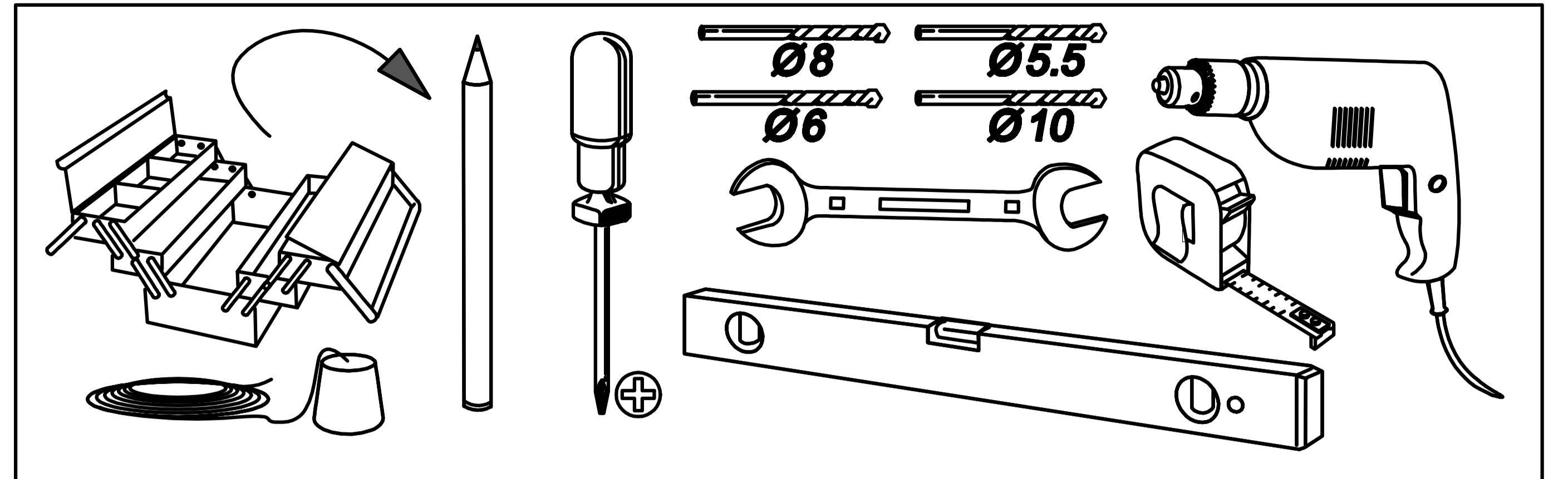
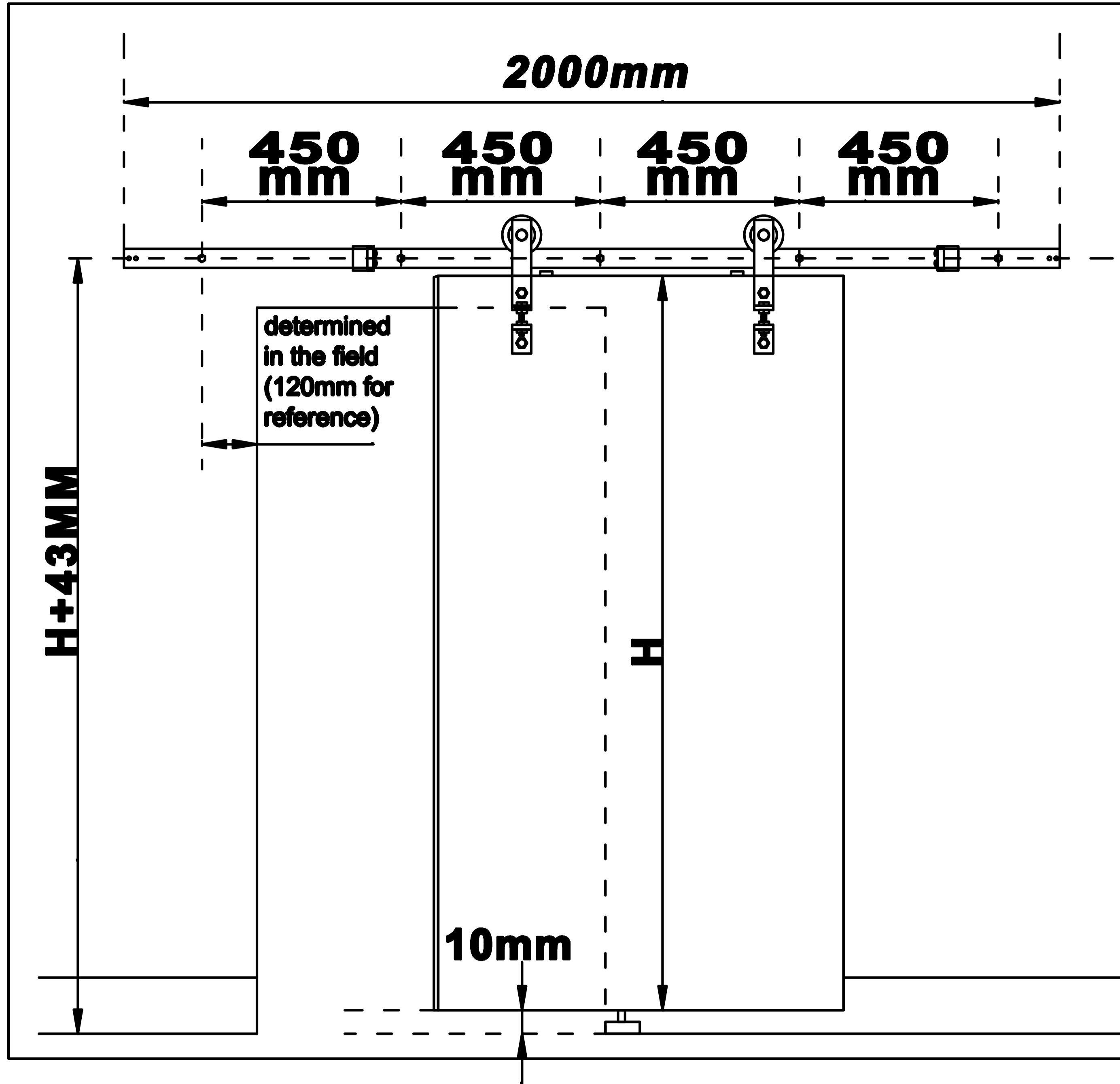
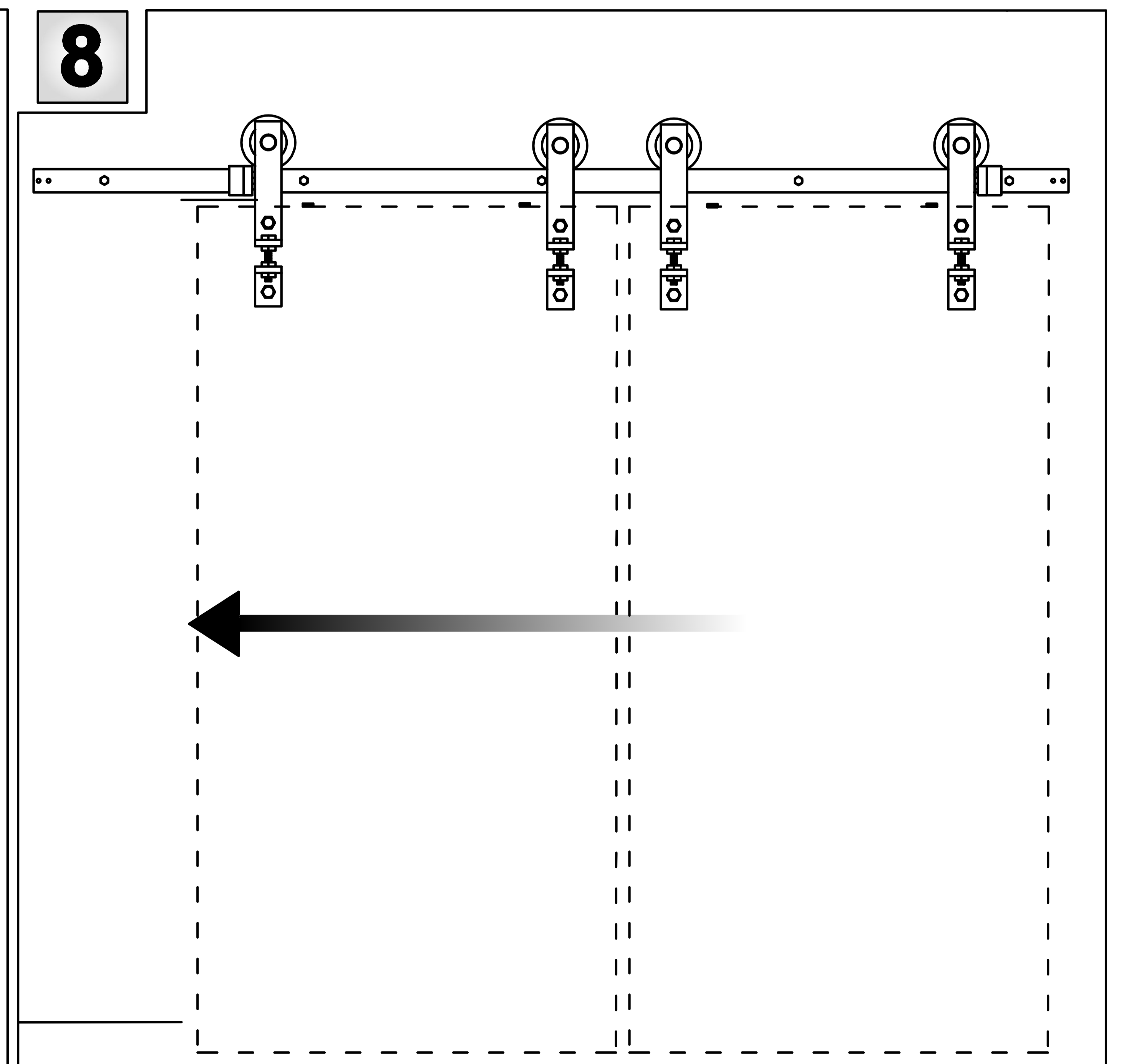
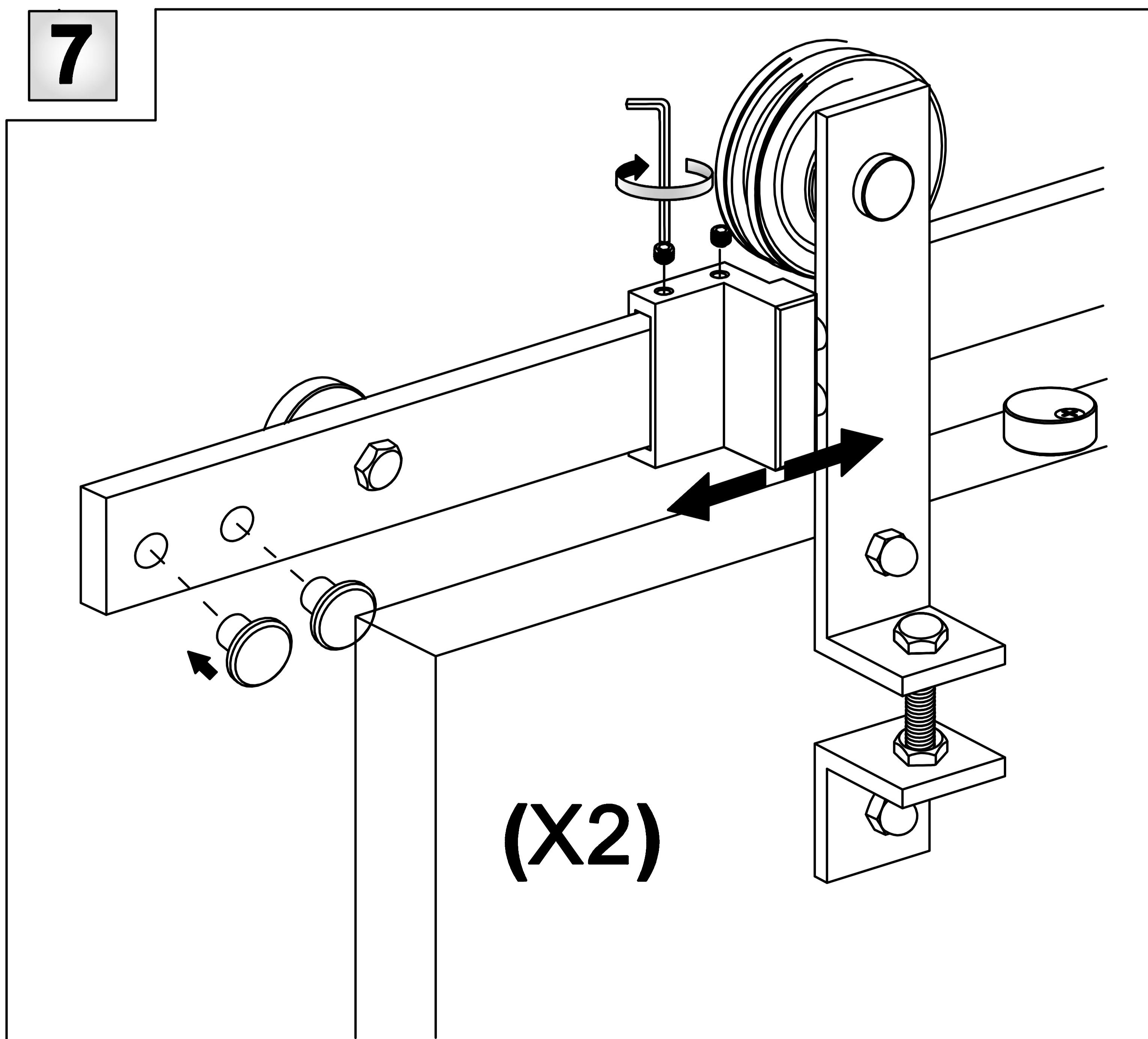
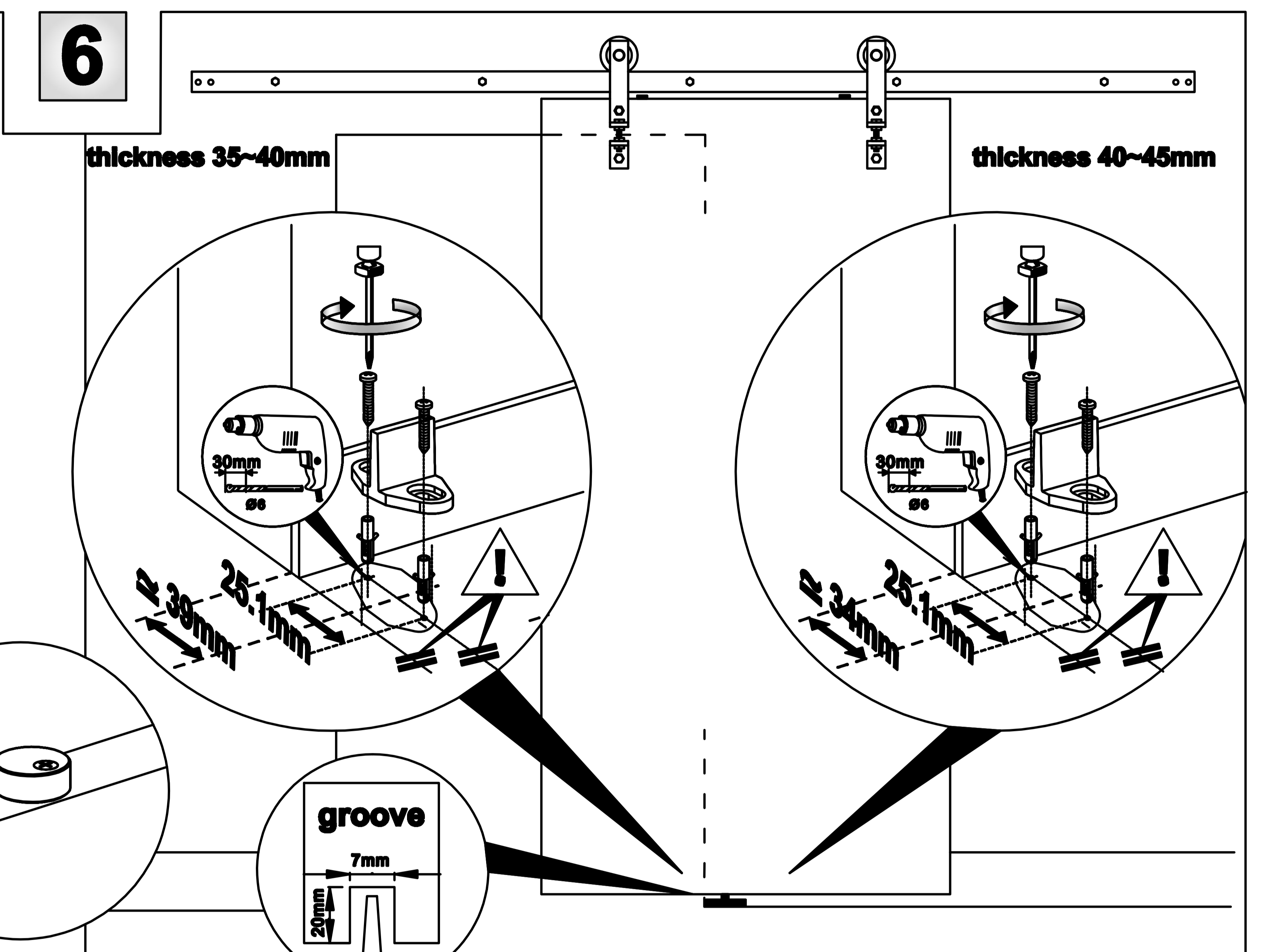
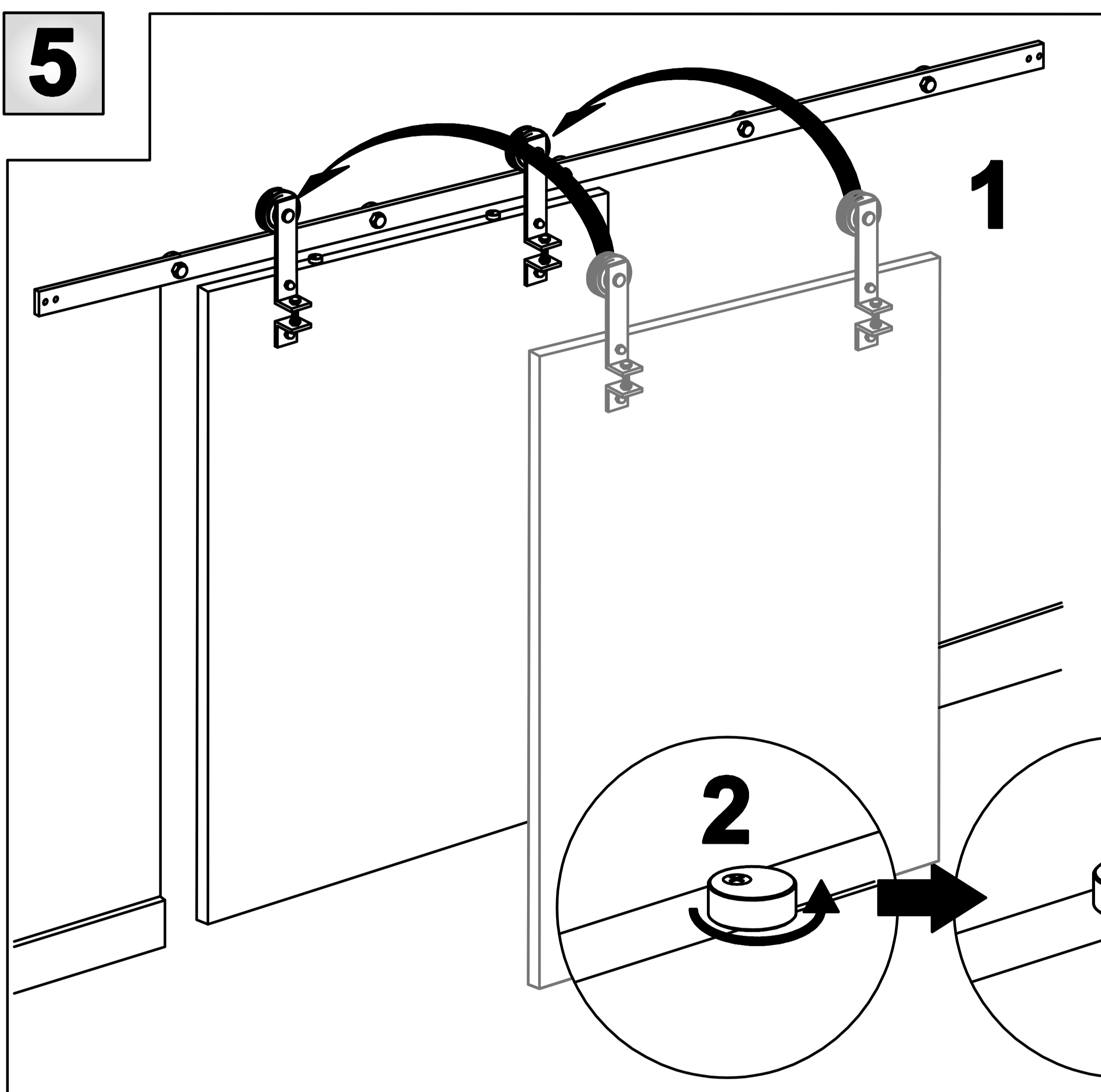
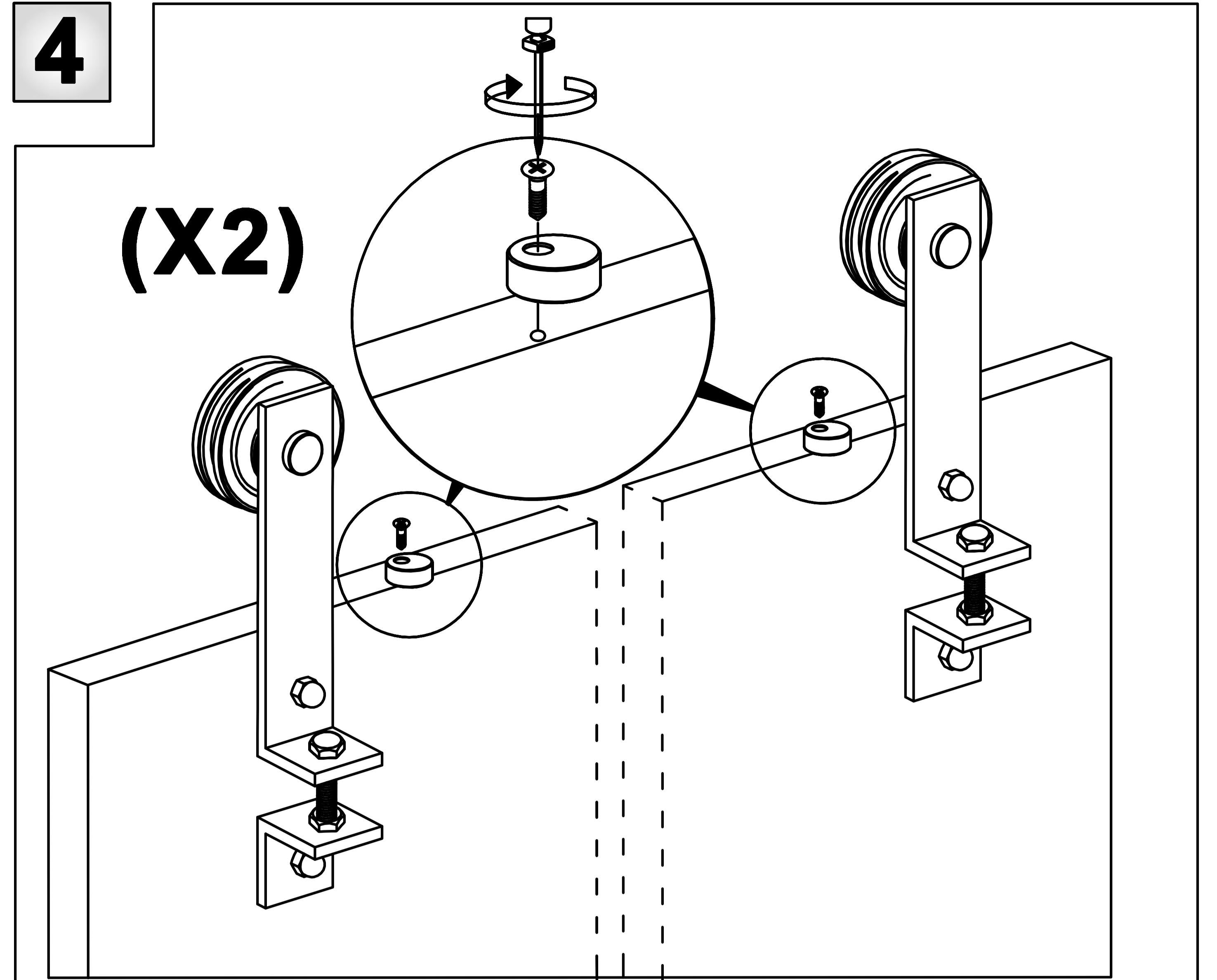
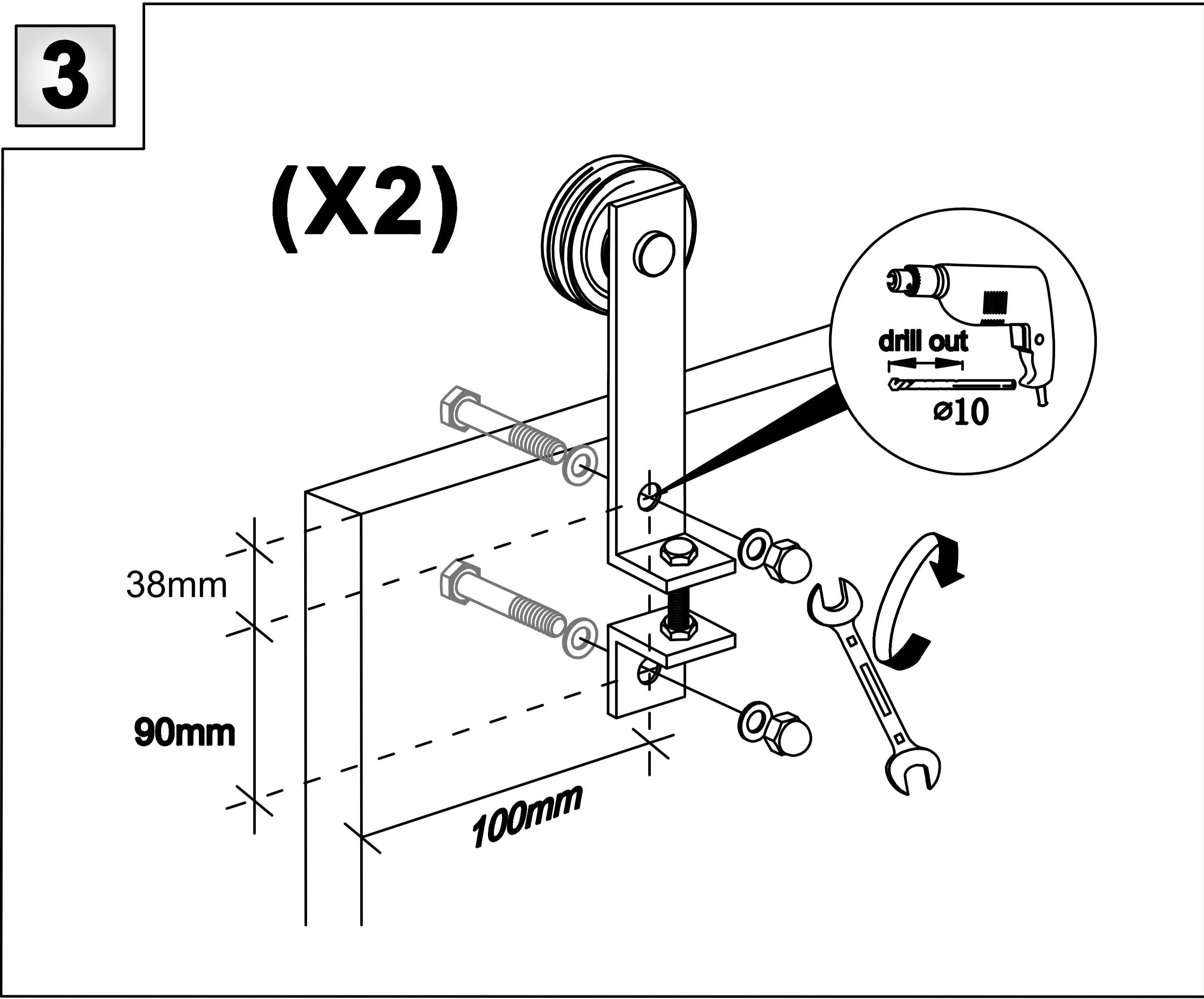
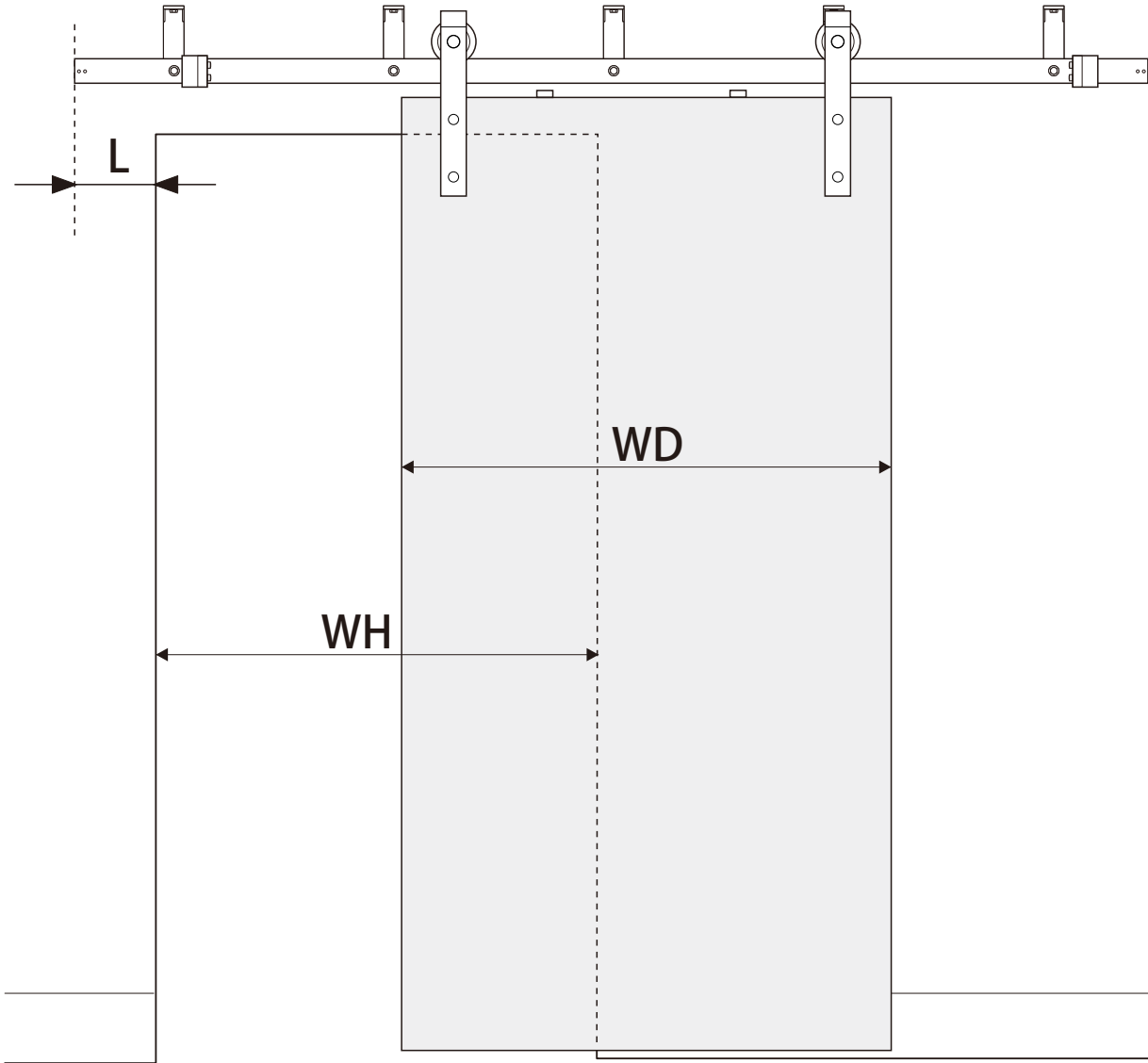


Installation Manual

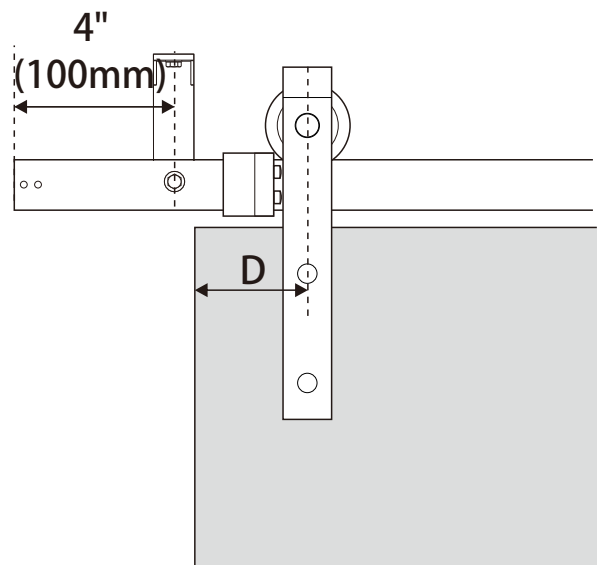




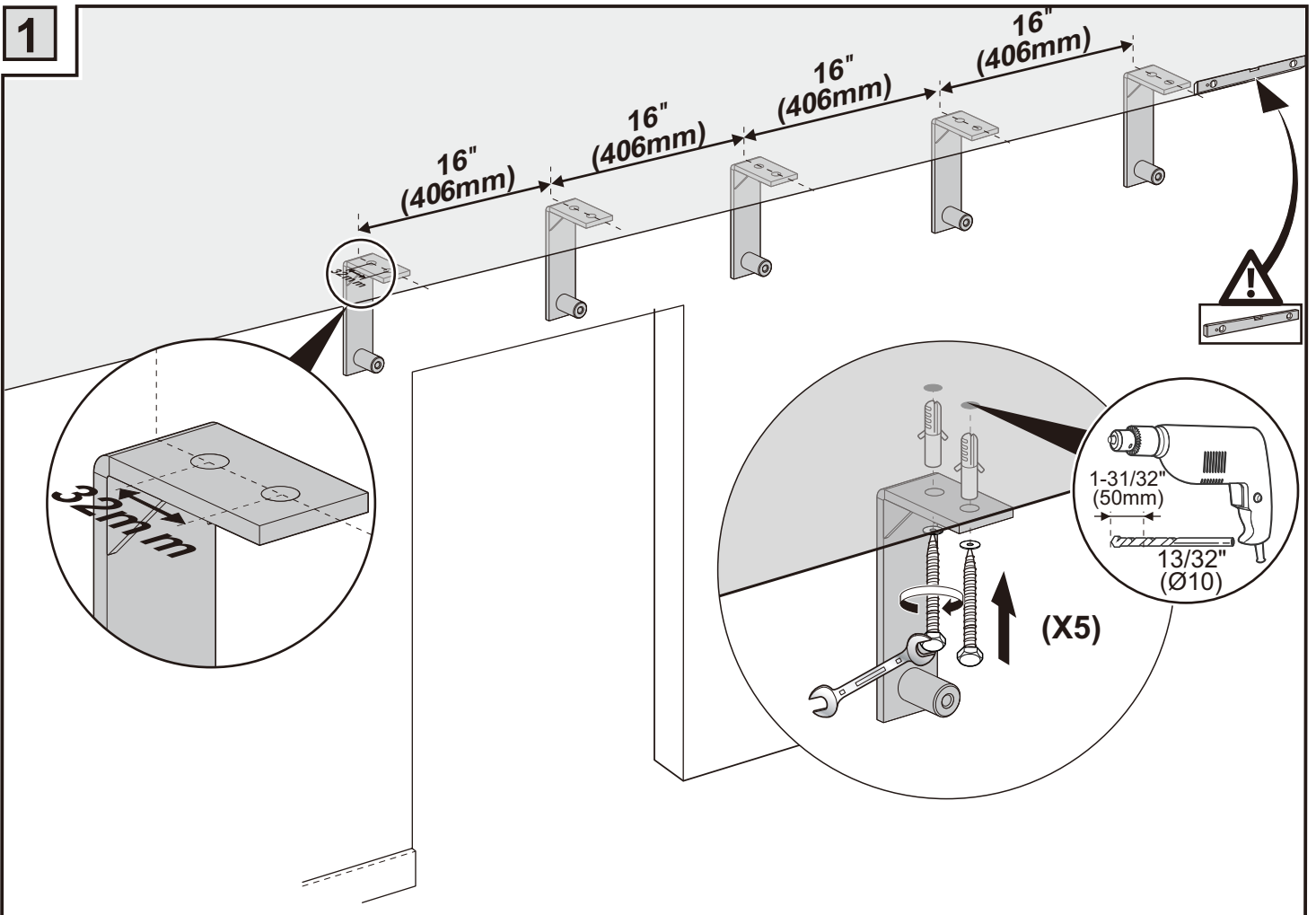
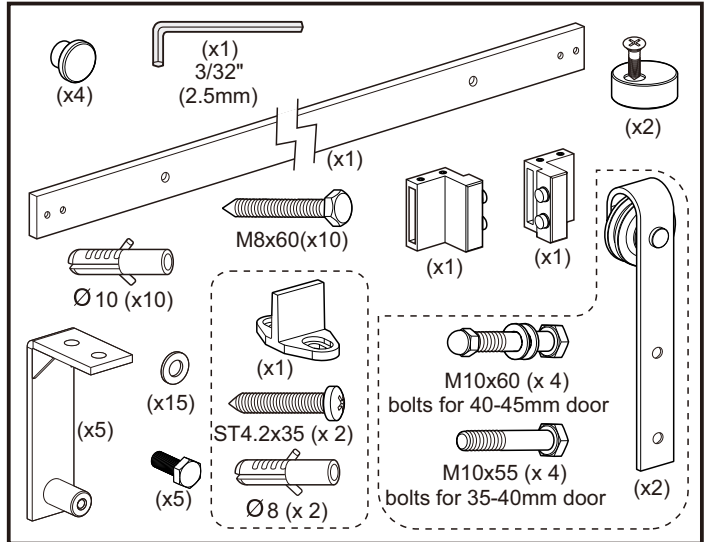
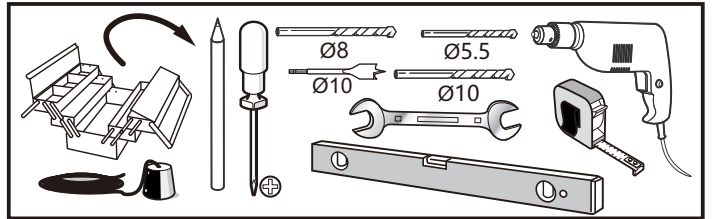
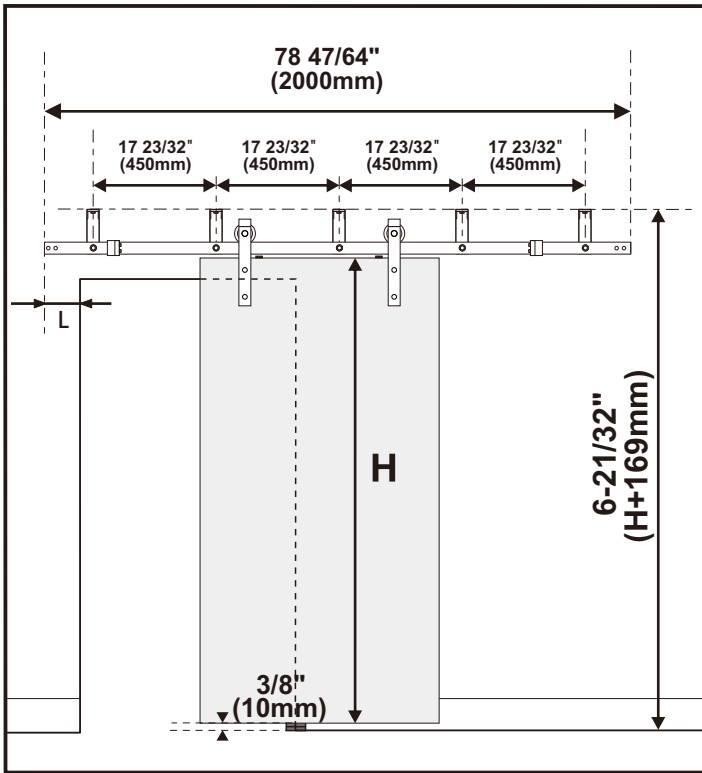
Drilling position measurement

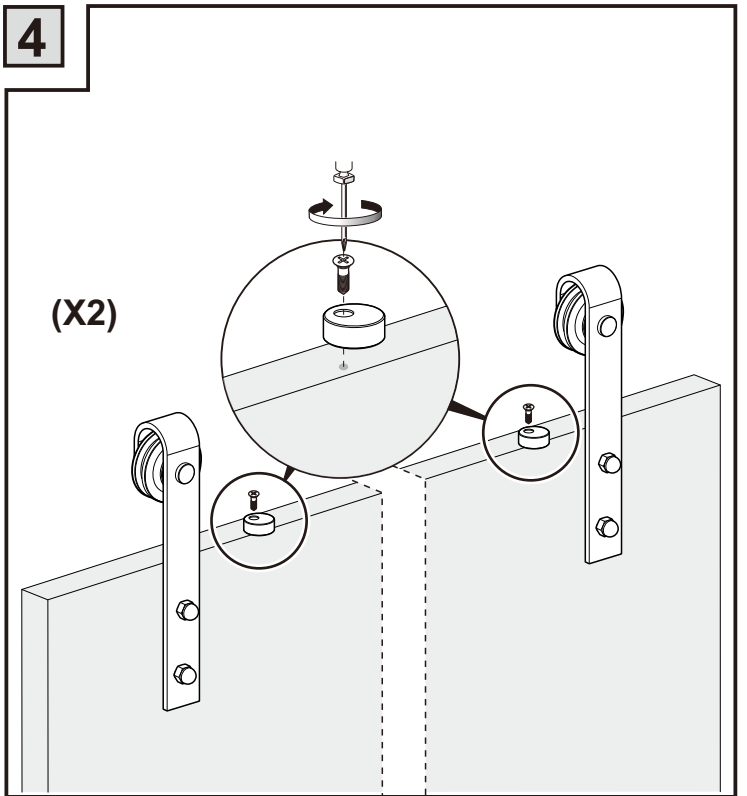
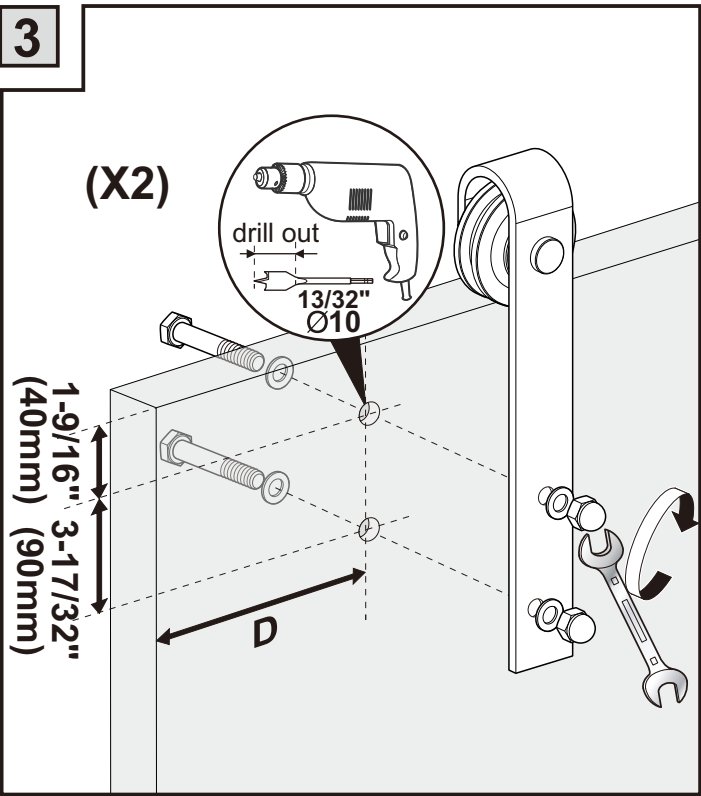
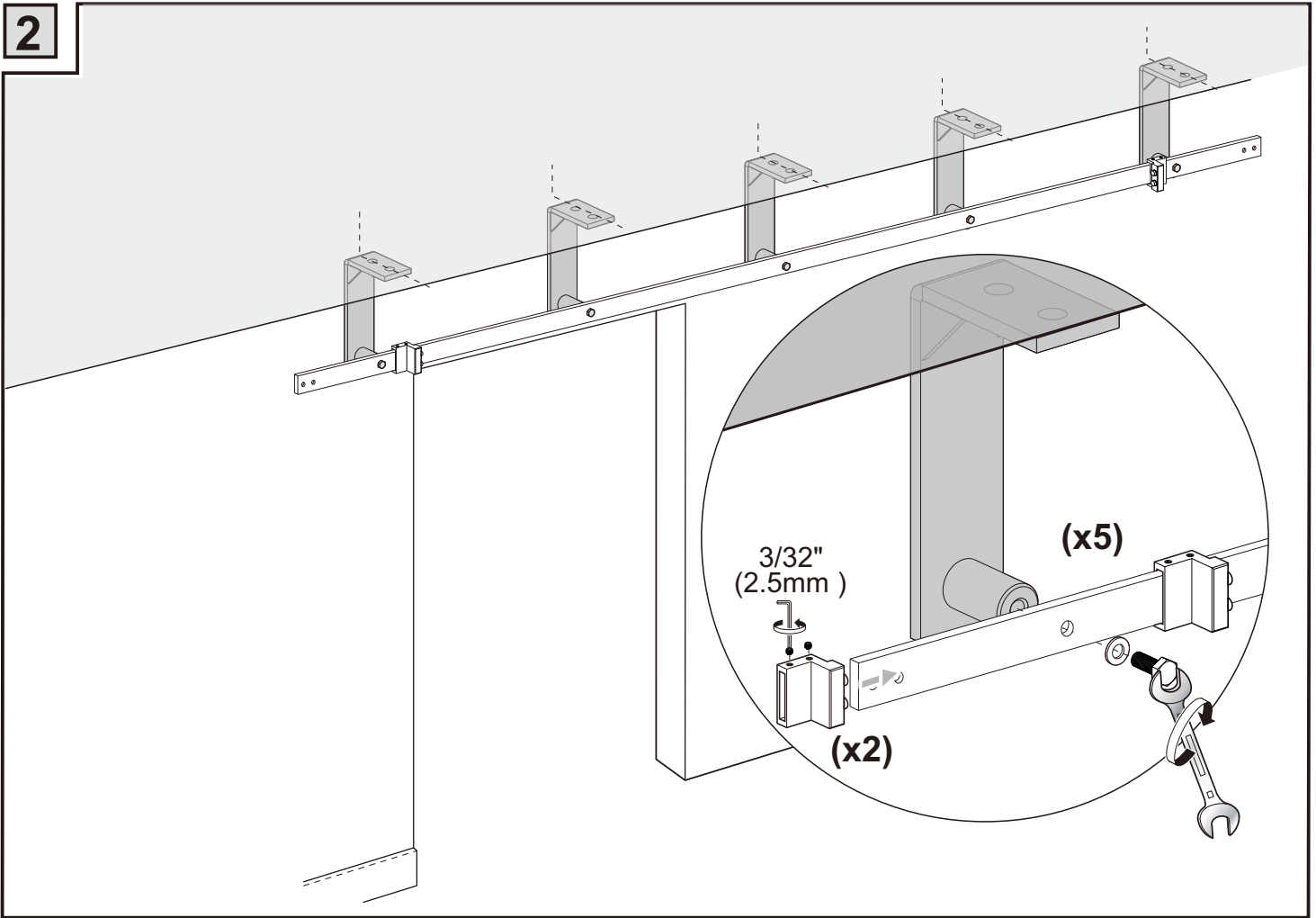


D(mm)	L(mm)
25/32" (20)	$6-19/64" + (WD-WH) / 3/32"$ $160 + (WD-WH) / 2$
3-15/16" (100)	$3-5/32" + (WD-WH) / 3/32"$ $80 + (WD-WH) / 2$
5-29/32" (150)	$1-37/64" + (WD-WH) / 3/32"$ $40 + (WD-WH) / 2$

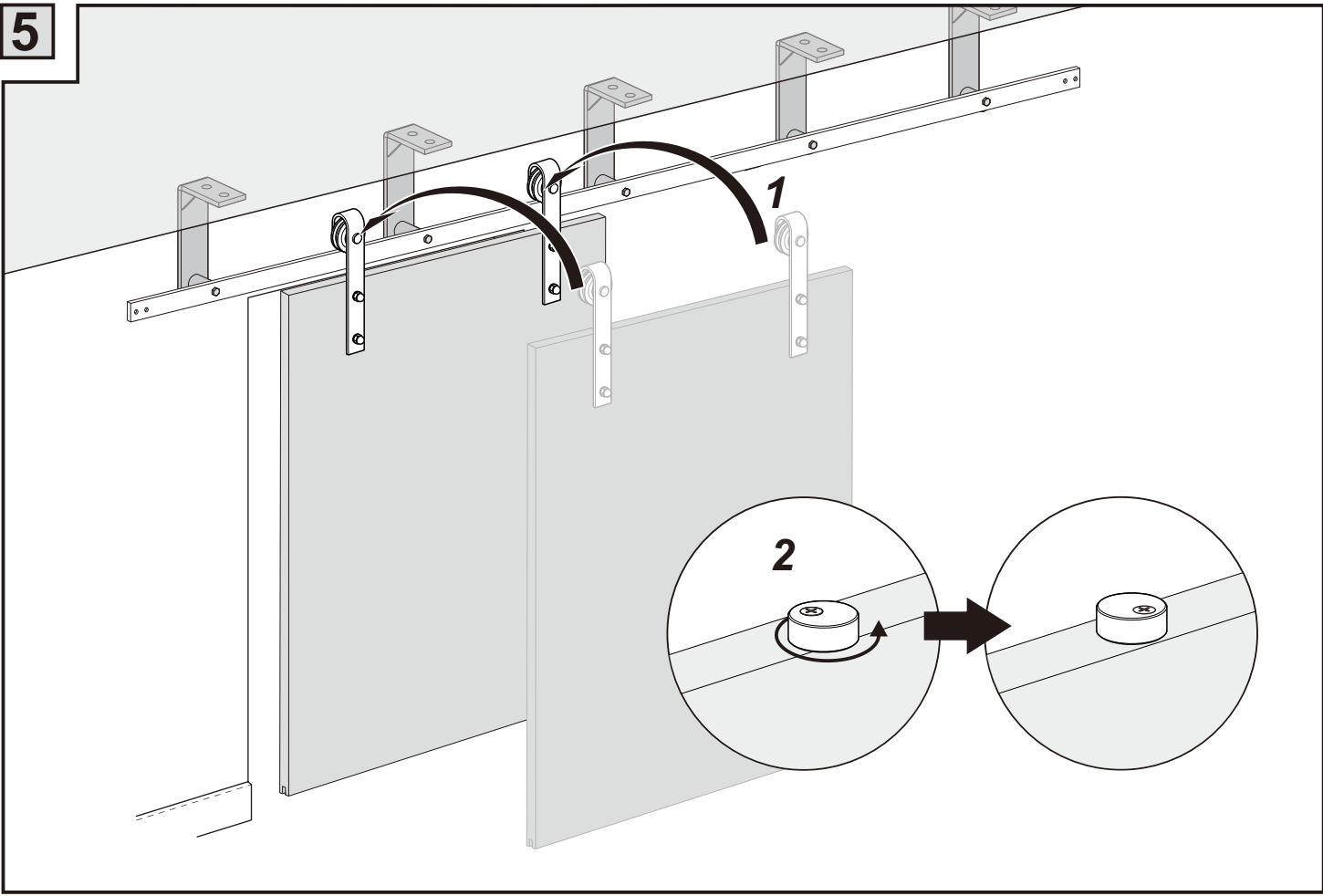


Installation Manual

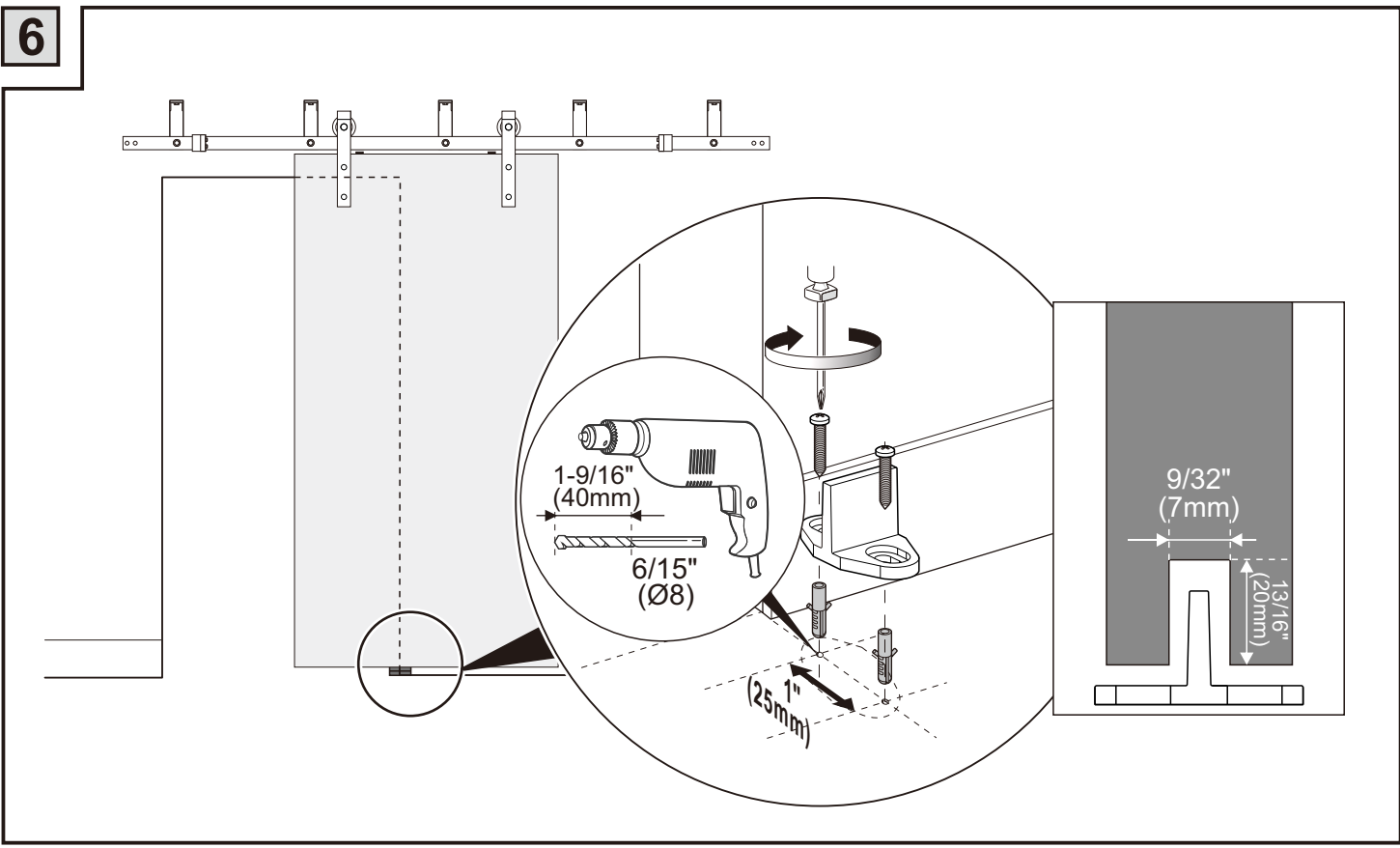




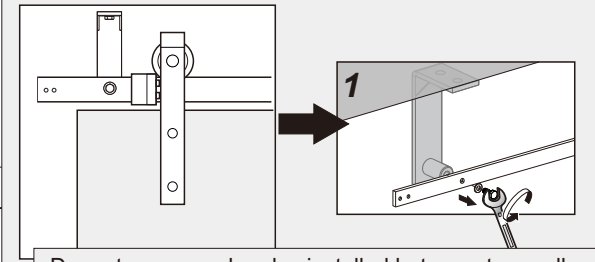
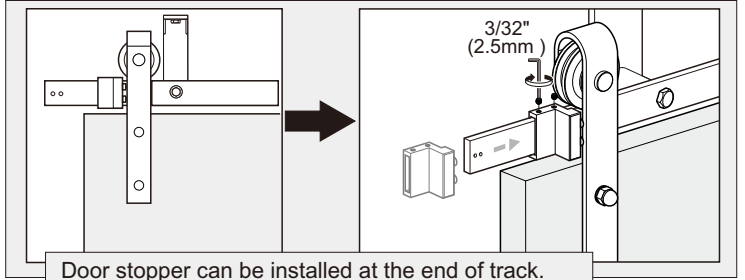
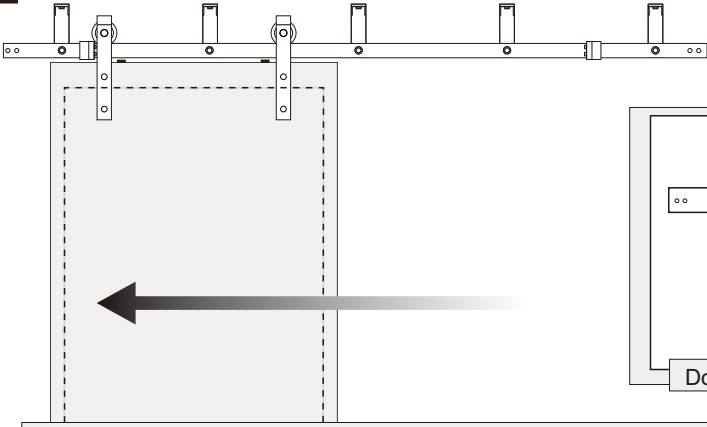
5



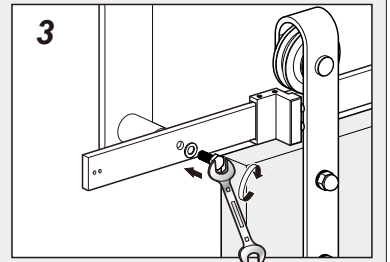
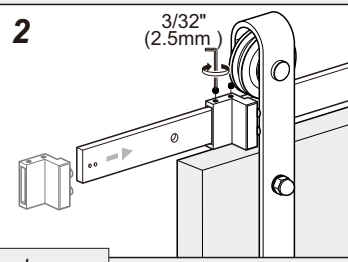
6



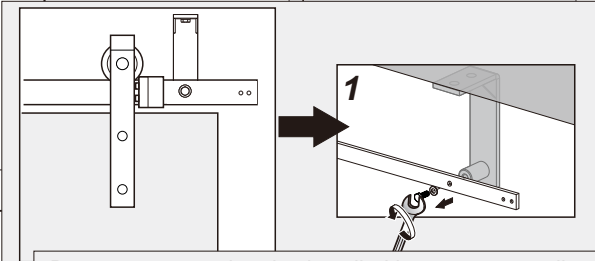
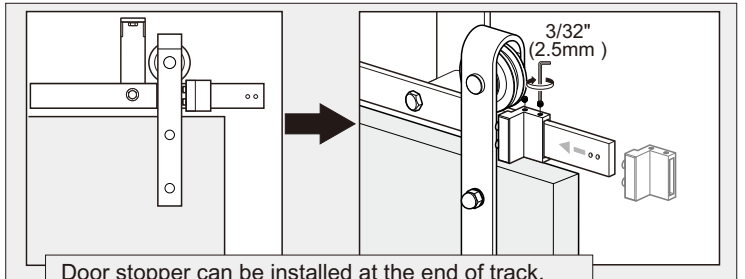
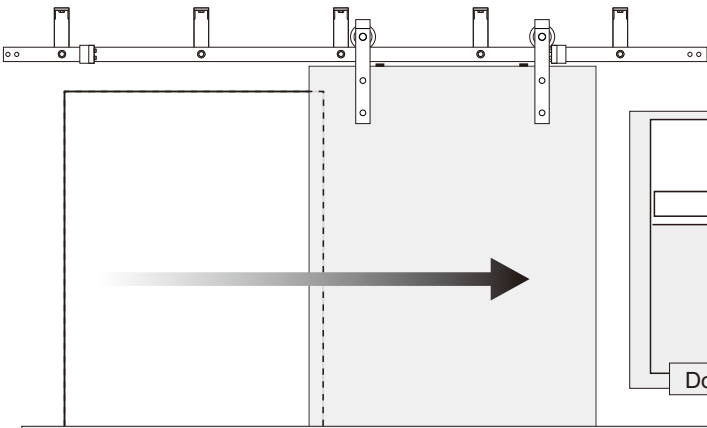
7



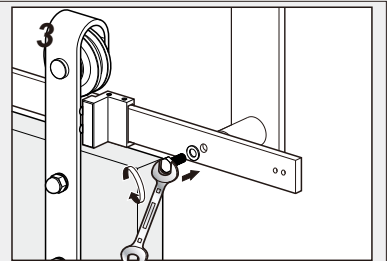
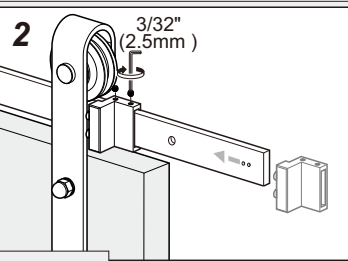
Door stopper can be also installed between two wall mounts.



8



Door stopper can be also installed between two wall mounts.



9

