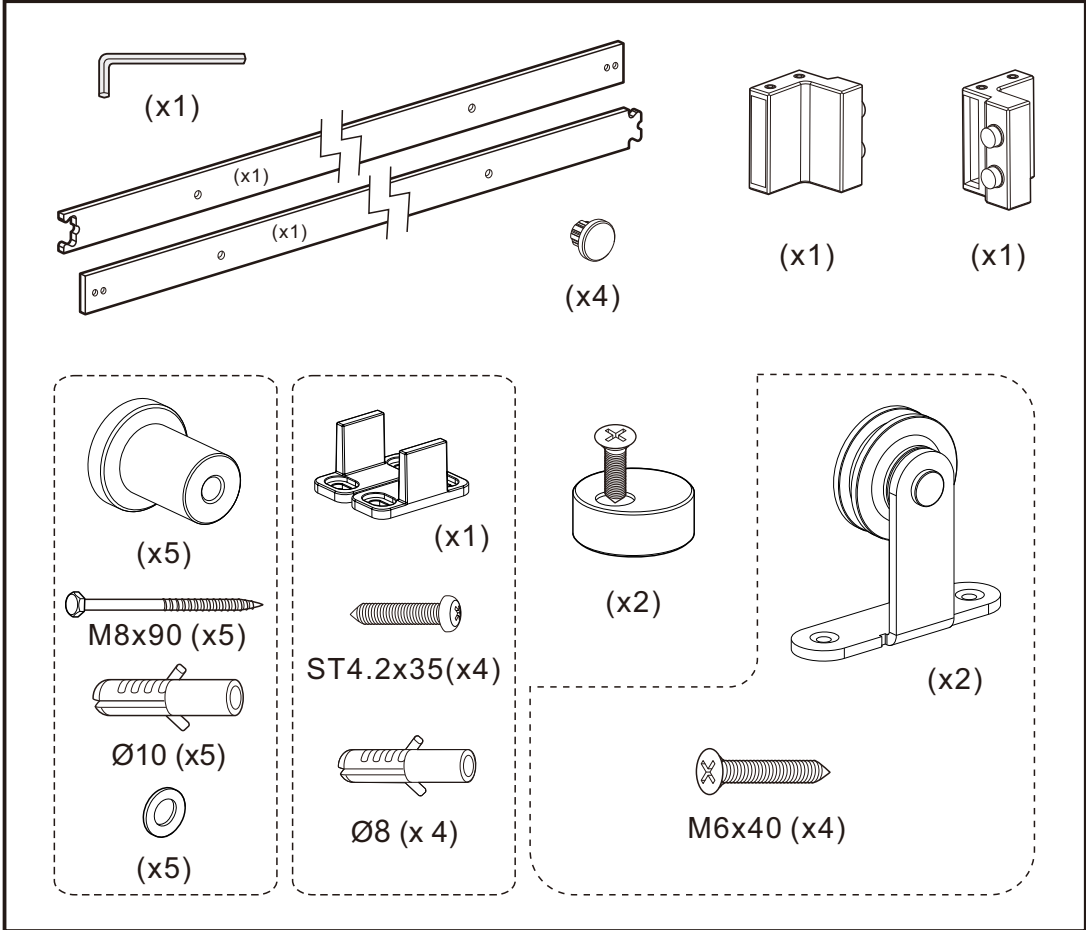
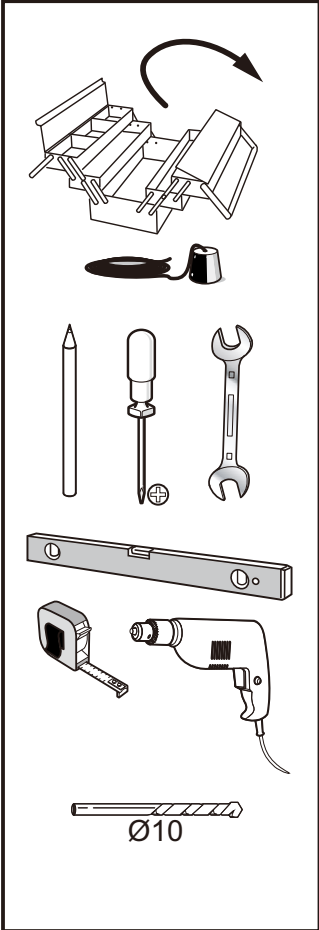
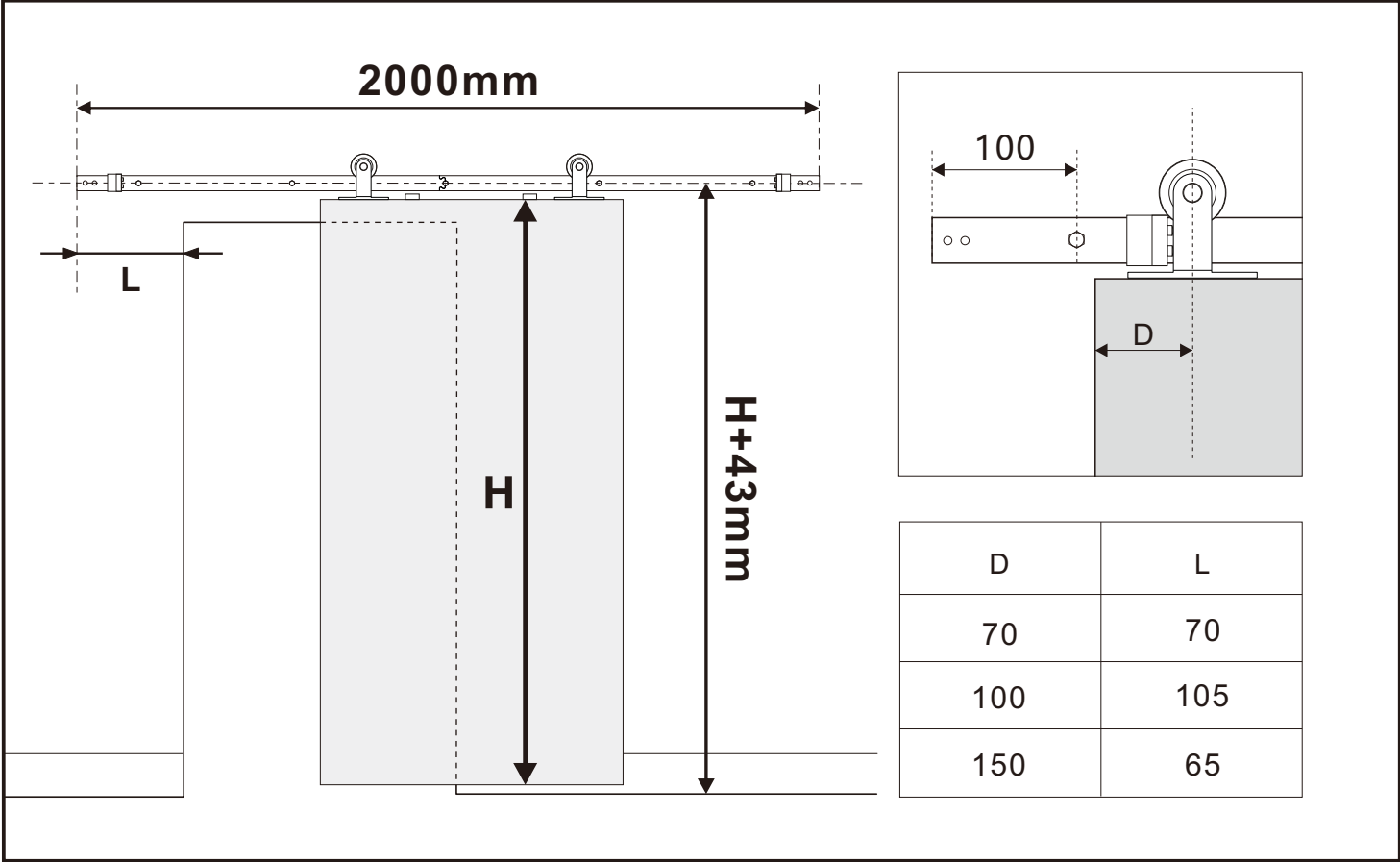
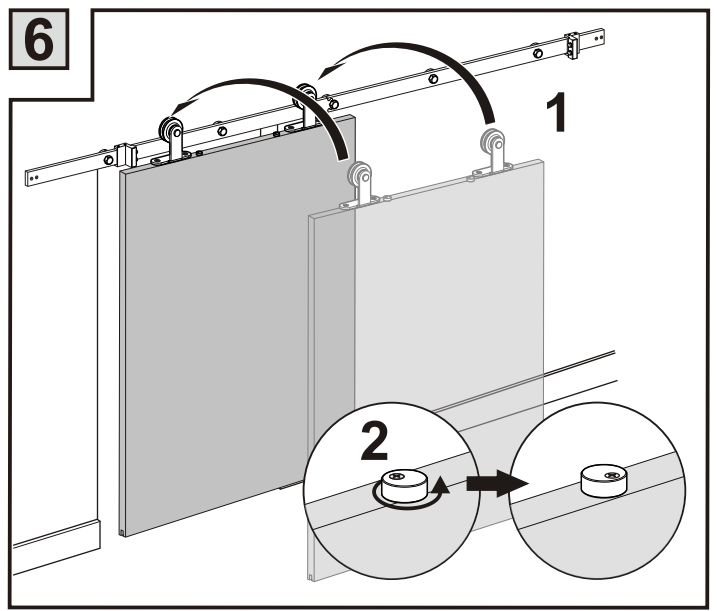
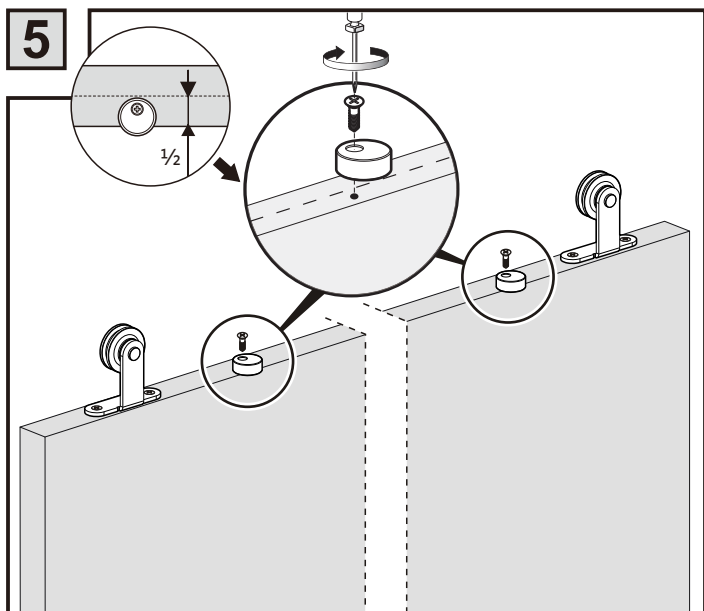
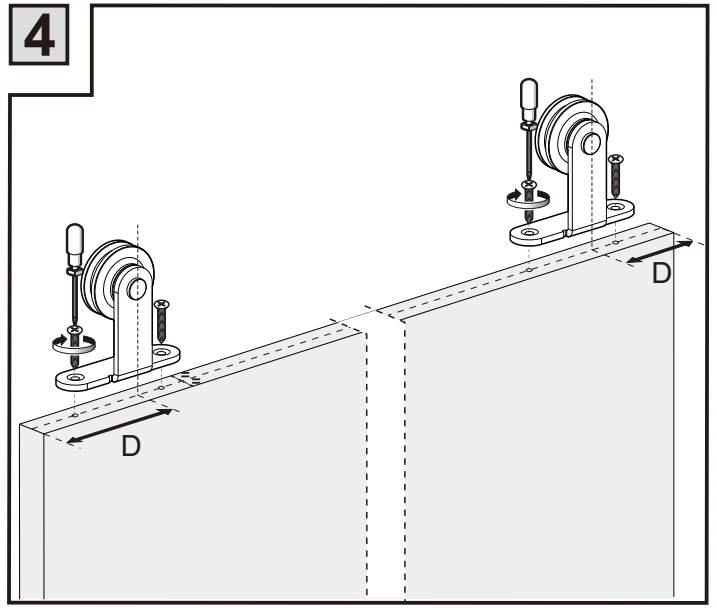
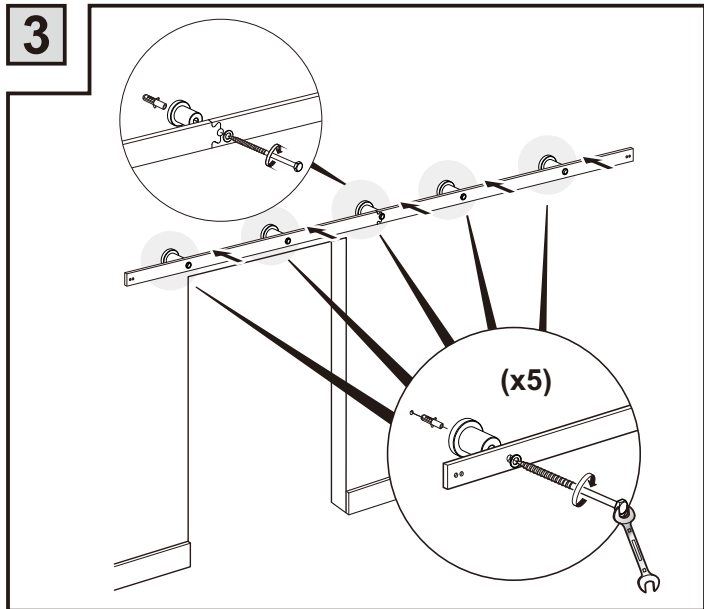
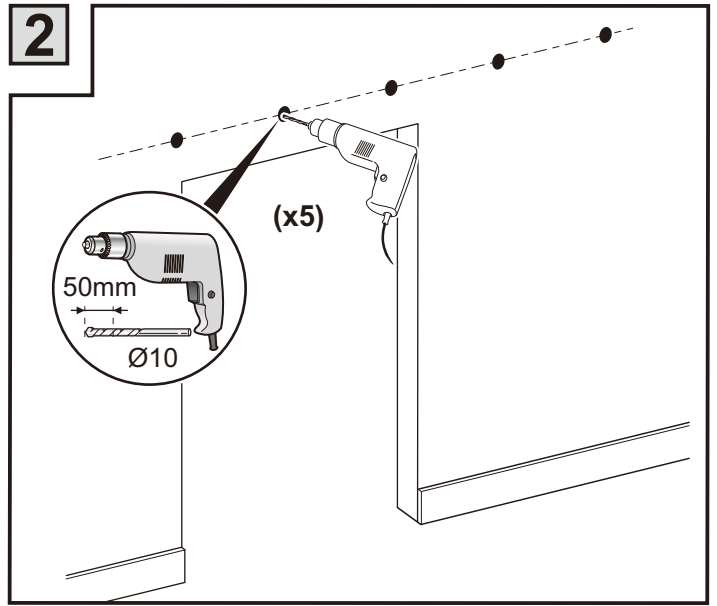
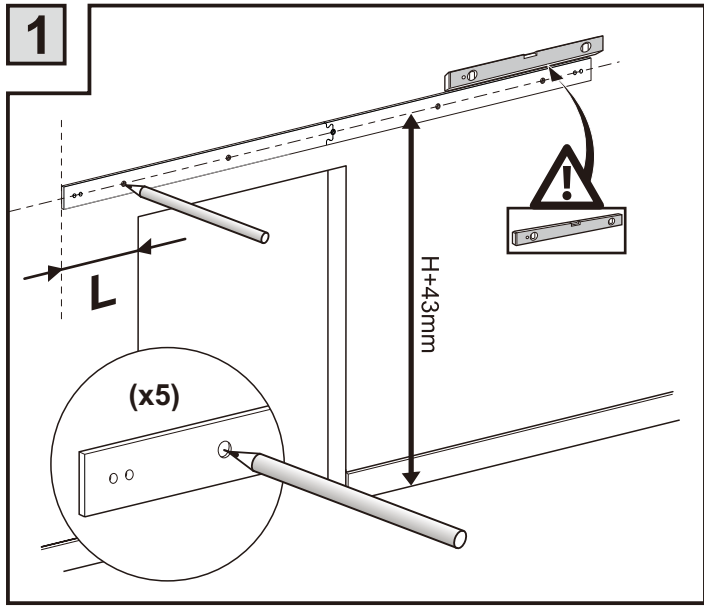
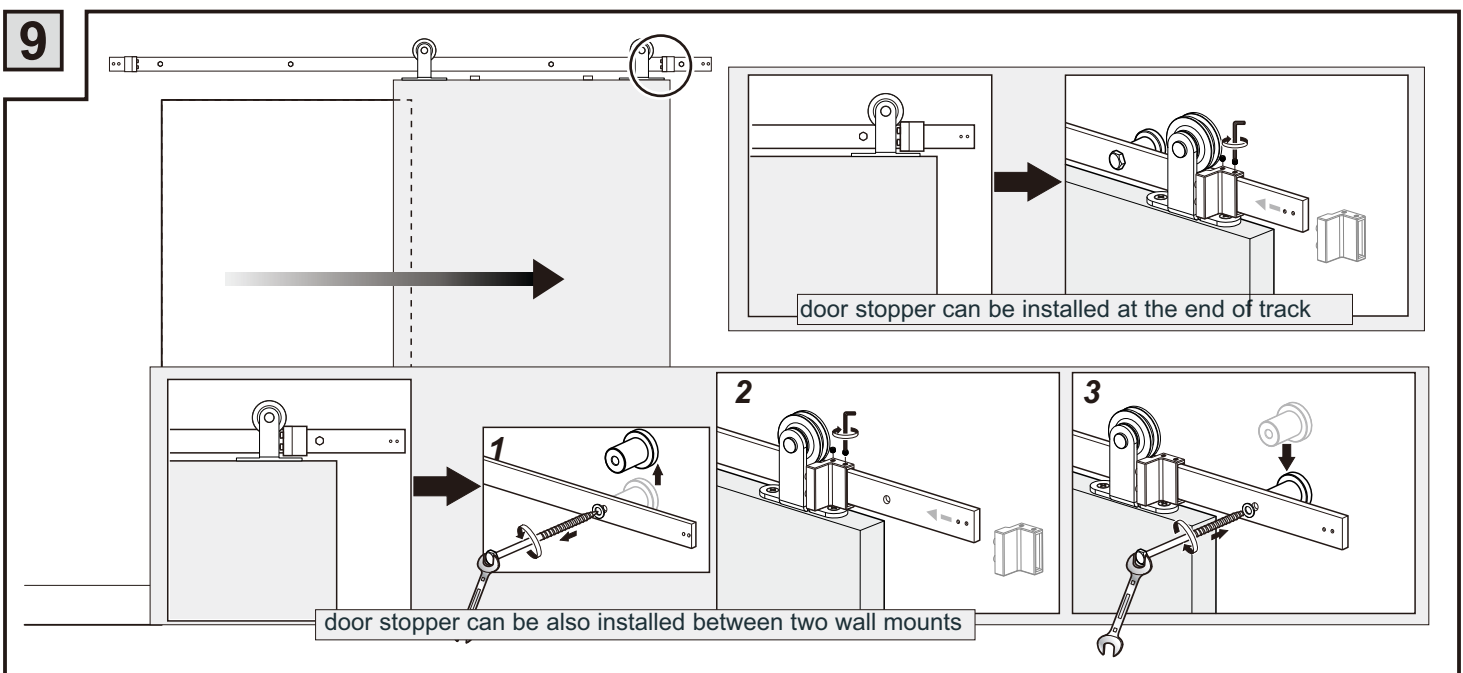
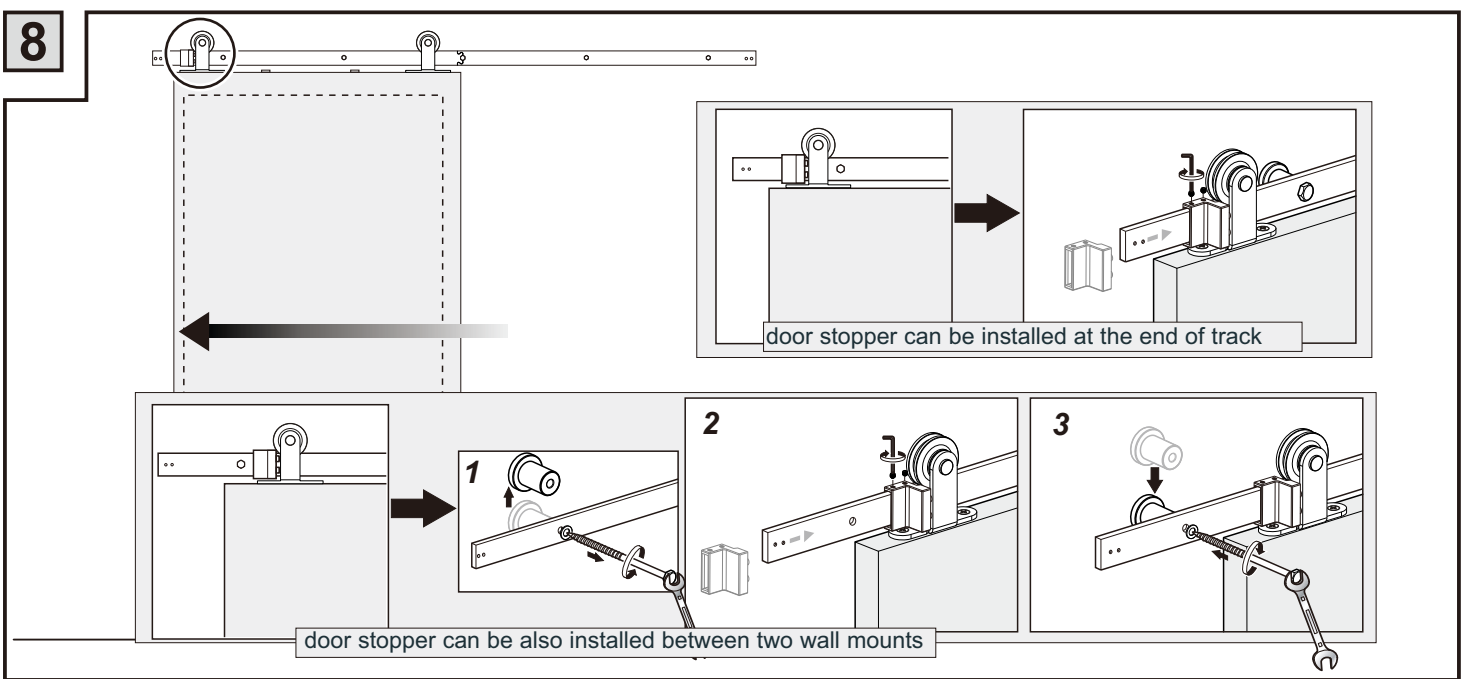
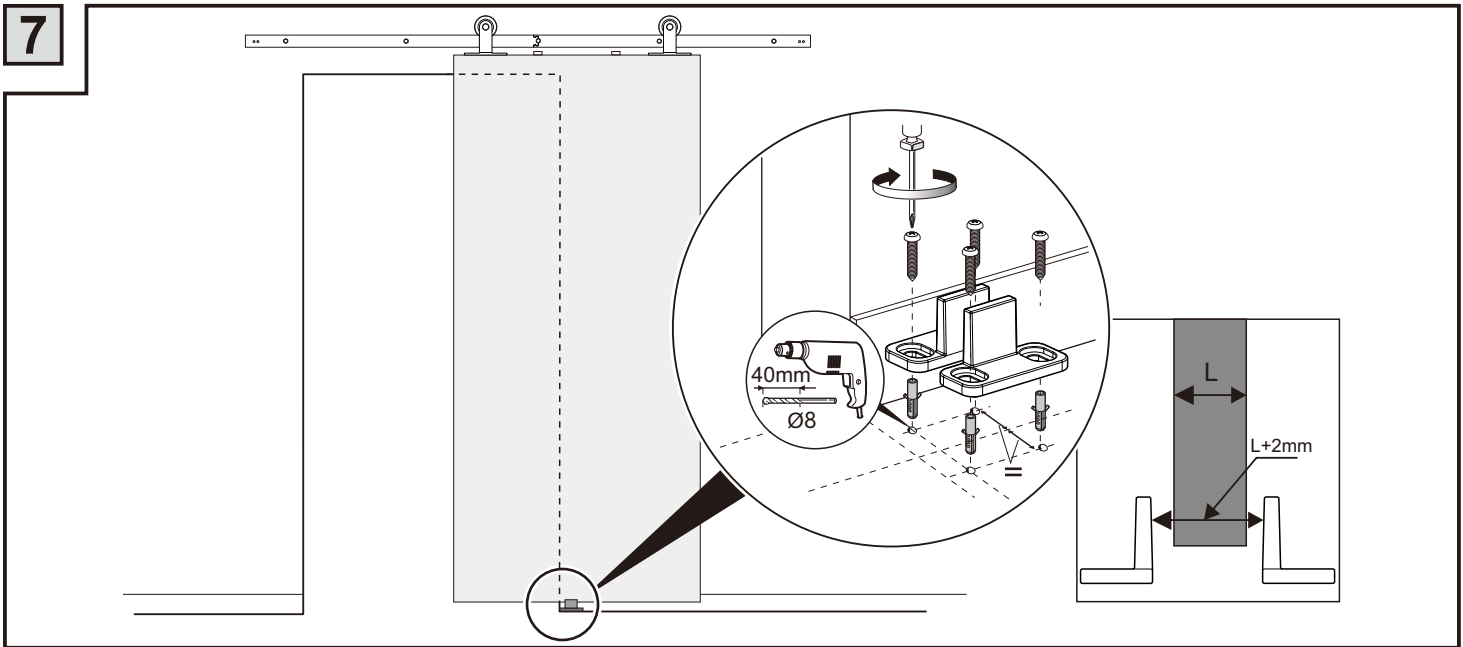


Installation Manual

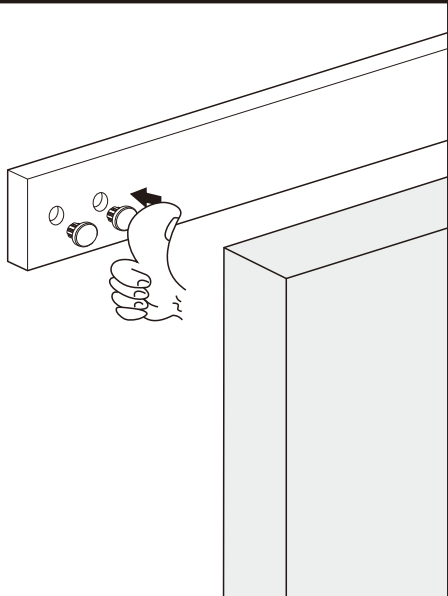




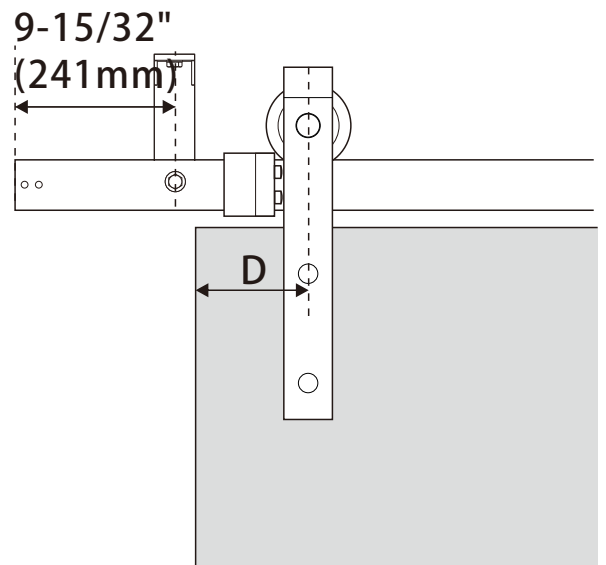
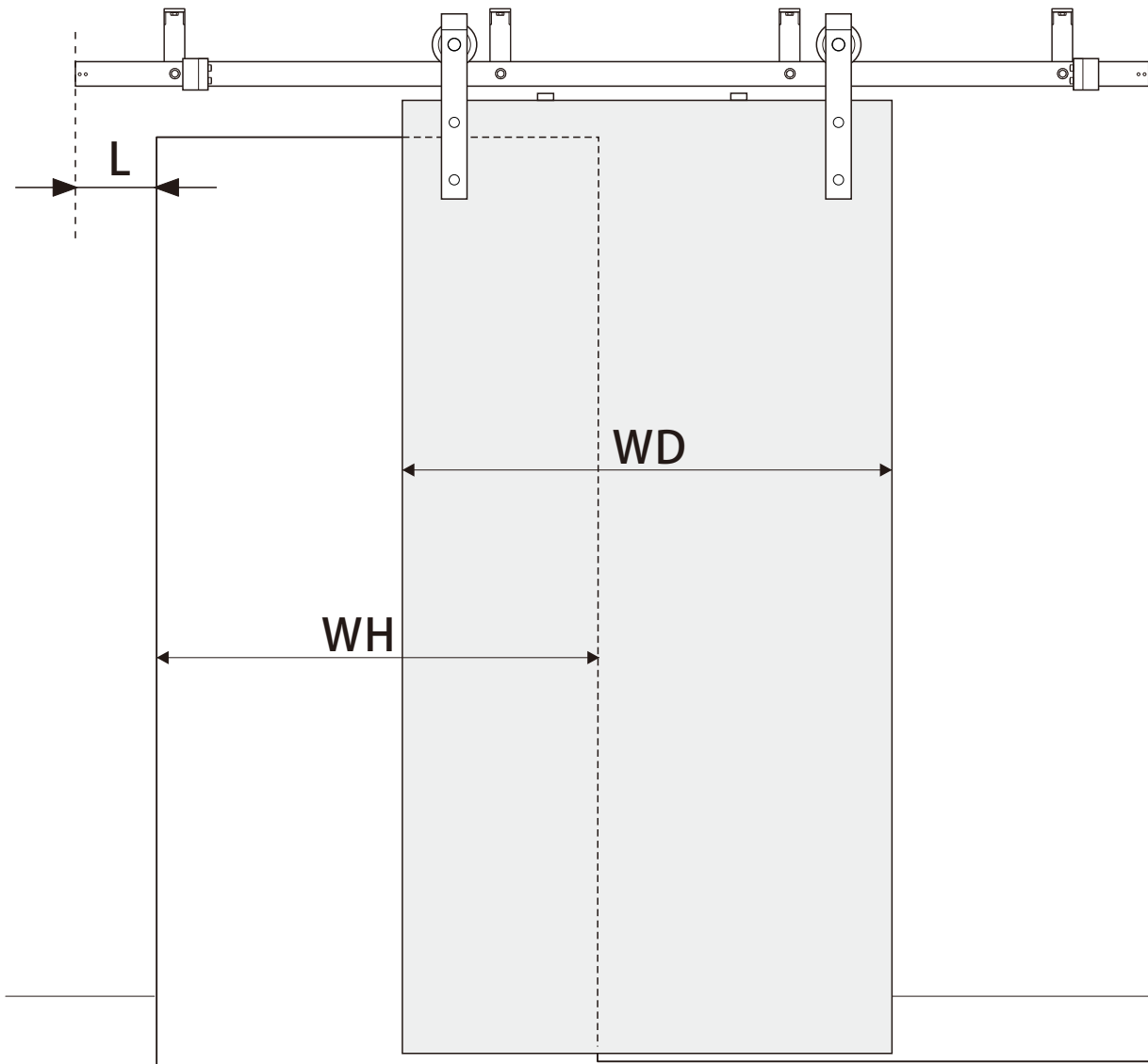


10

(x4)

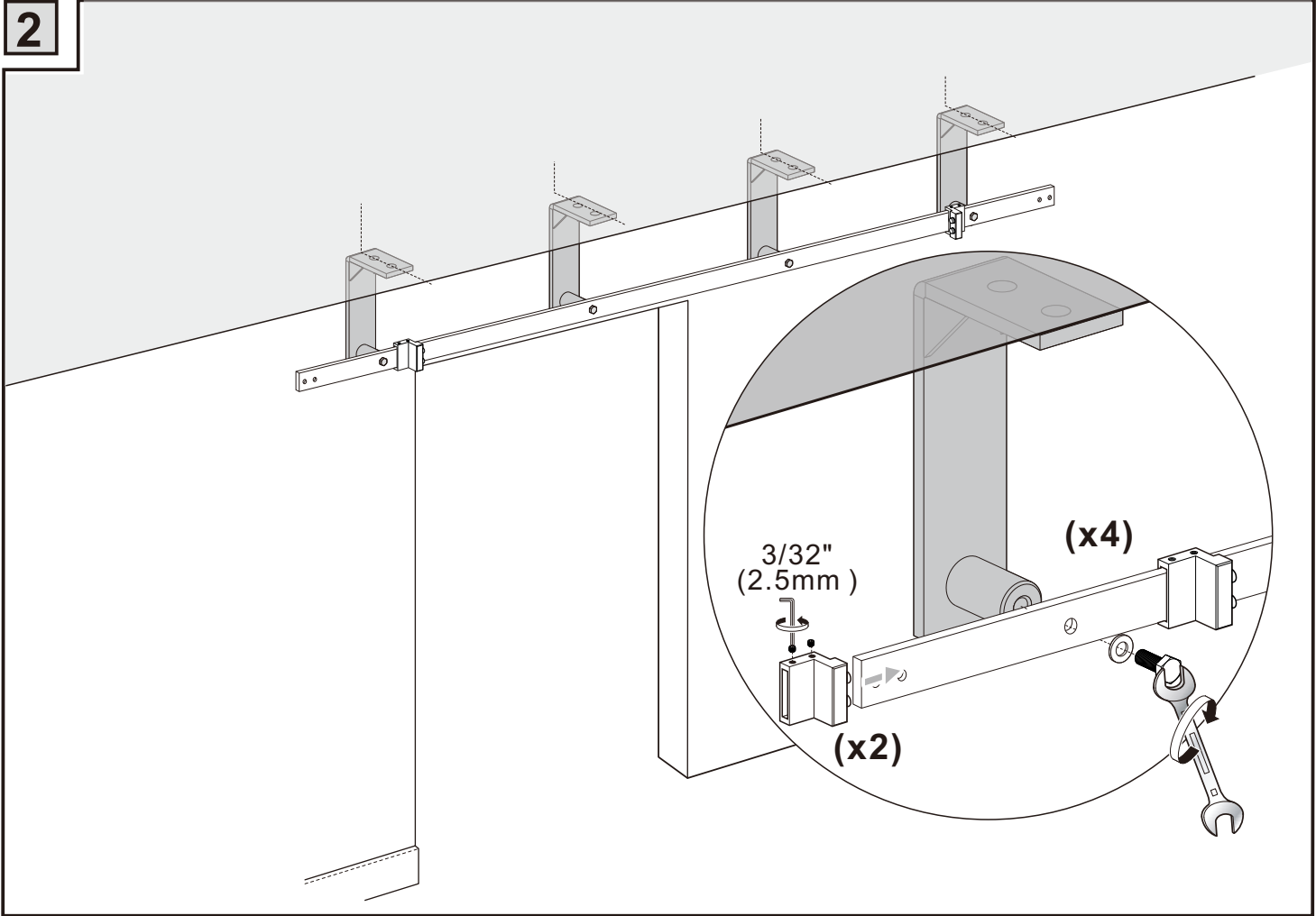


Drilling position measurement

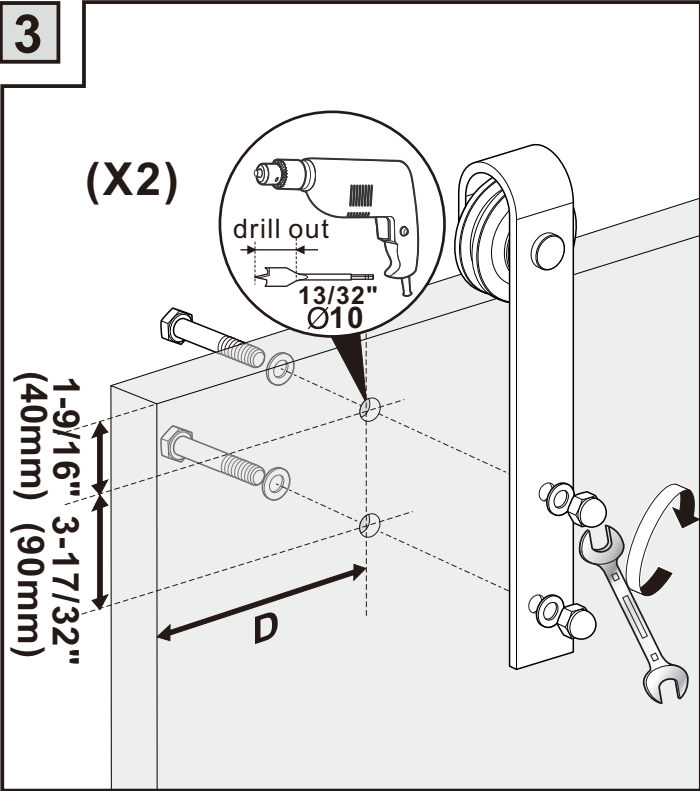


D(mm)	L(mm)
25/32" (20)	6-23/32"+(WD-WH)/ 3/32" 171+(WD-WH)/2
3-15/16" (100)	3-19/32"+(WD-WH)/ 3/32" 91+(WD-WH)/2
5-29/32" (150)	1-19/32"+(WD-WH)/ 3/32" 41+(WD-WH)/2

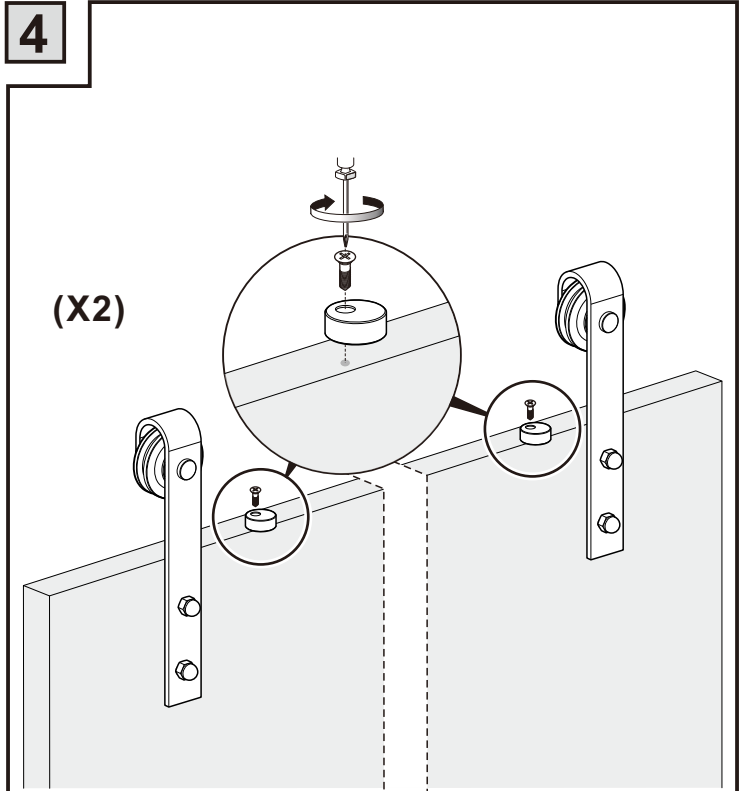
2



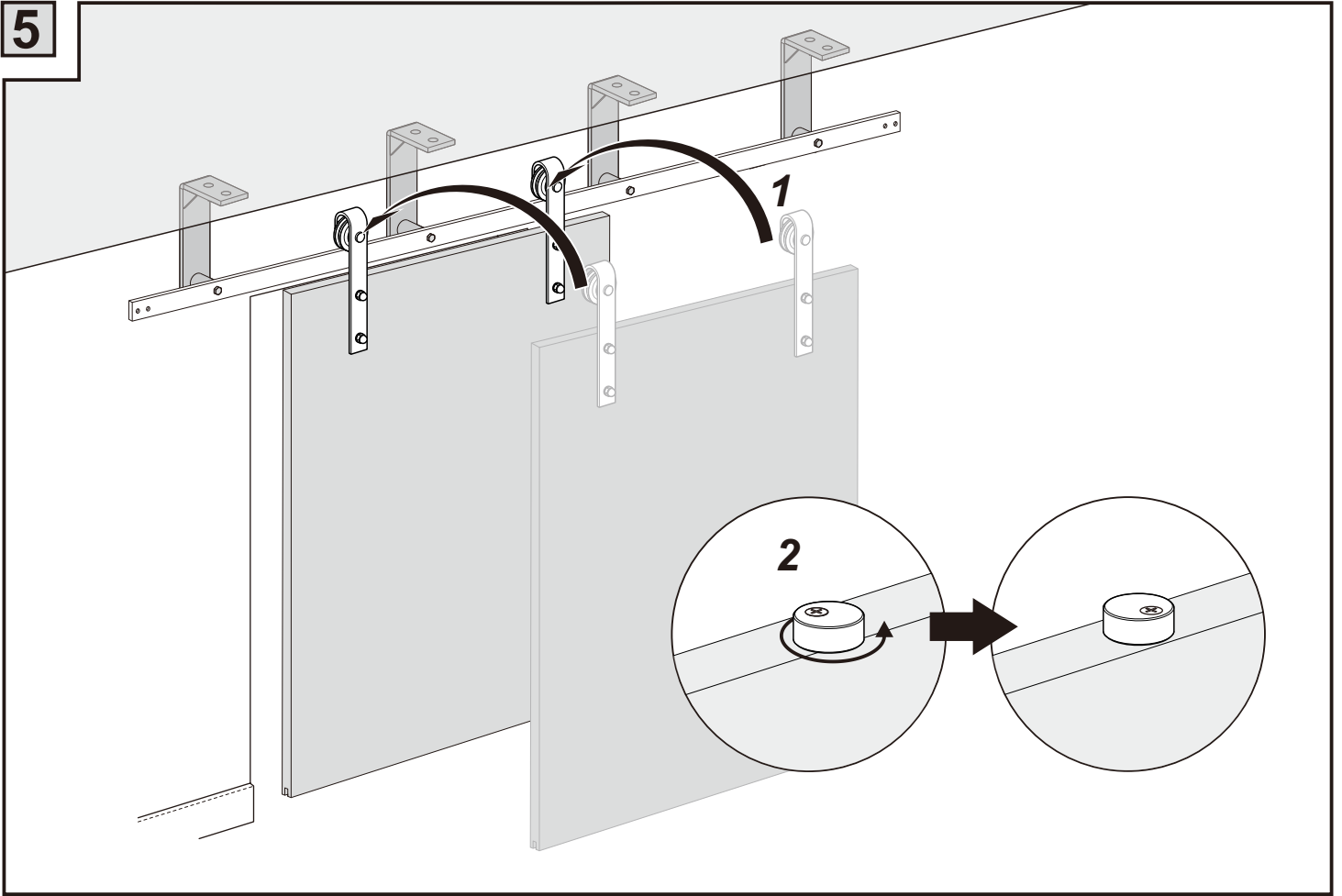
3



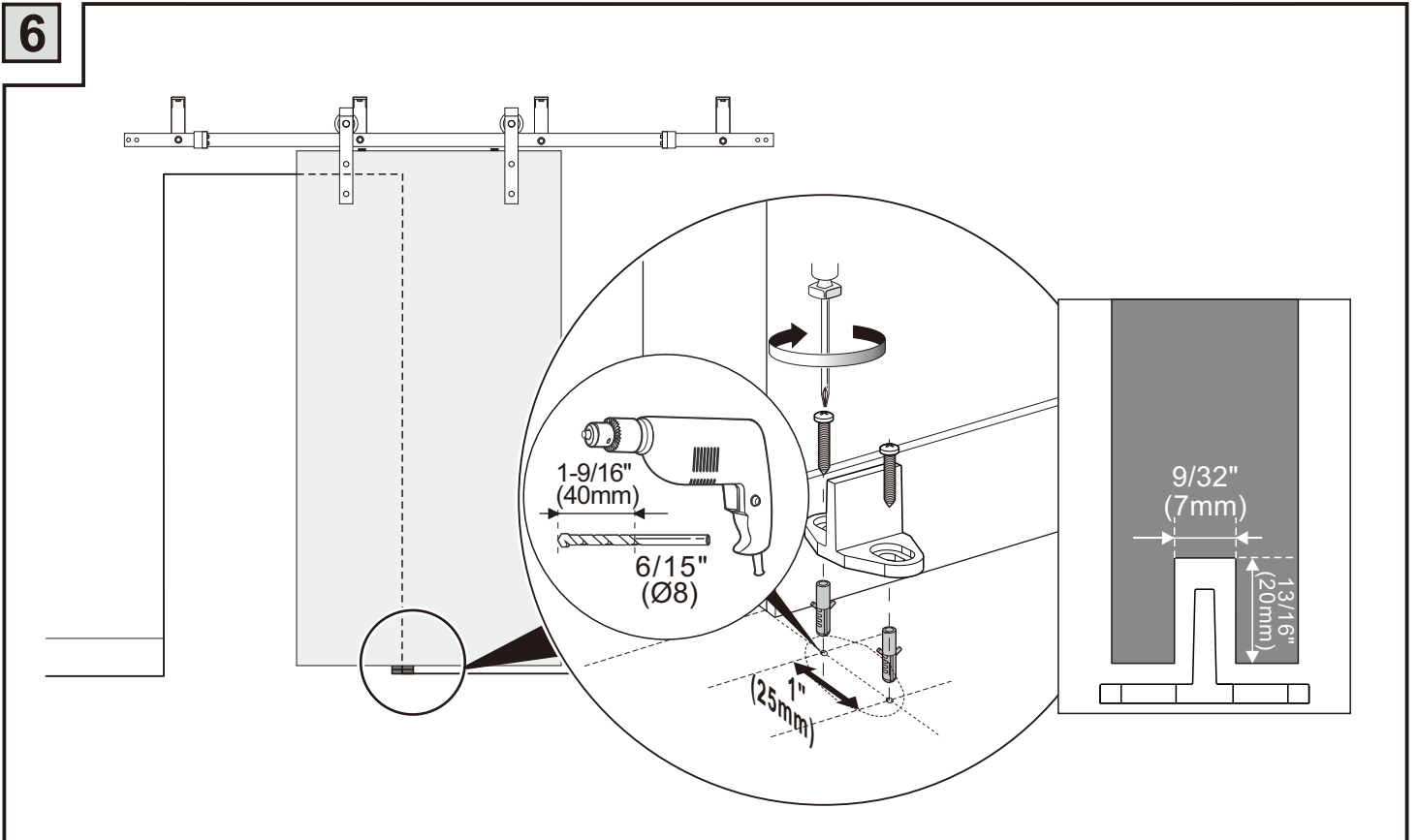
4



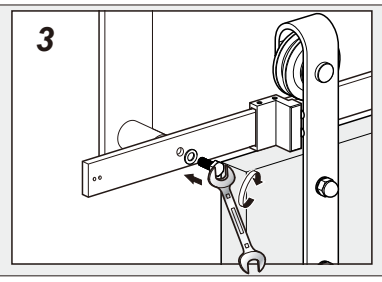
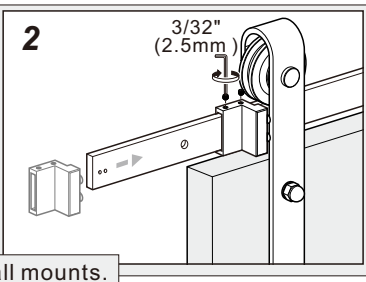
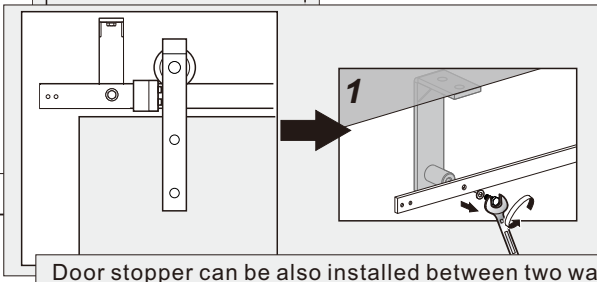
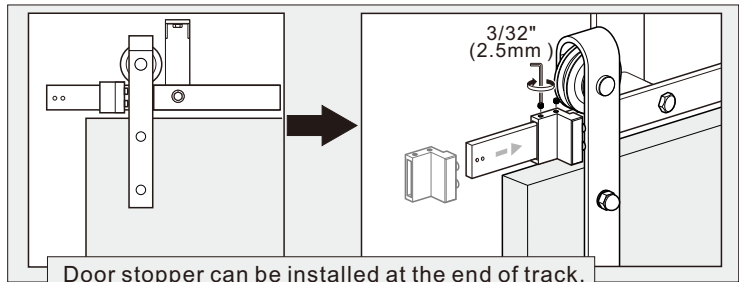
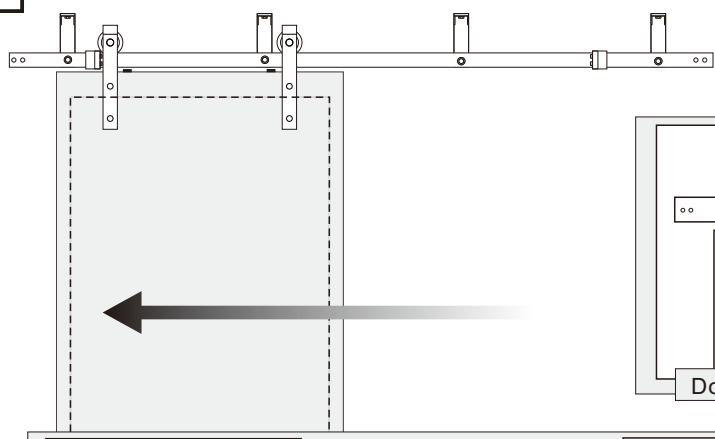
5



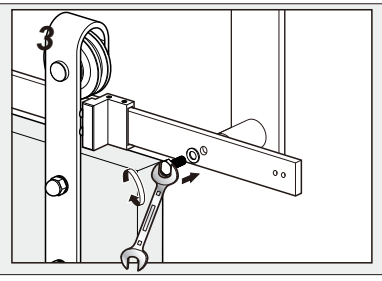
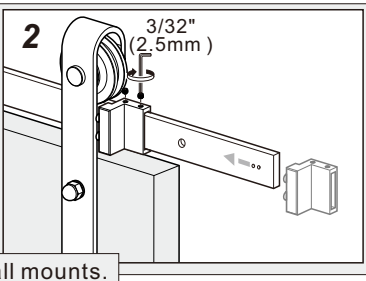
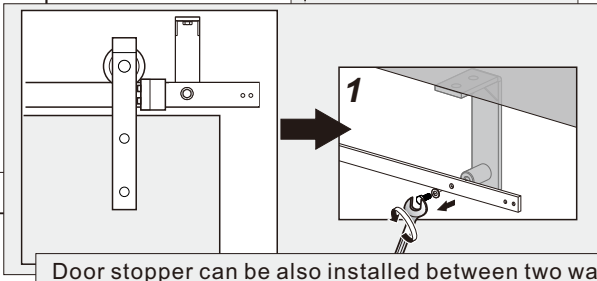
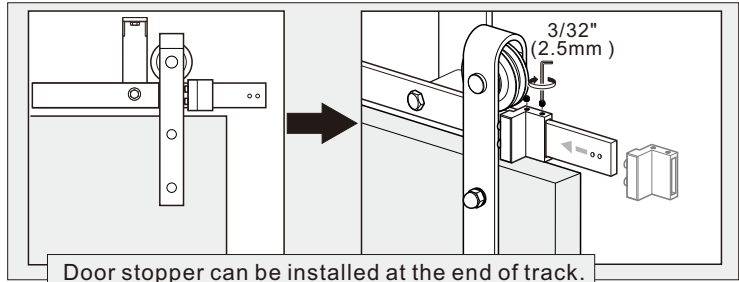
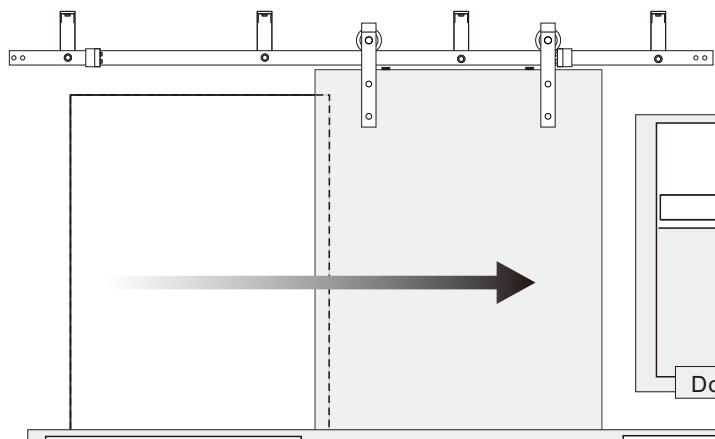
6



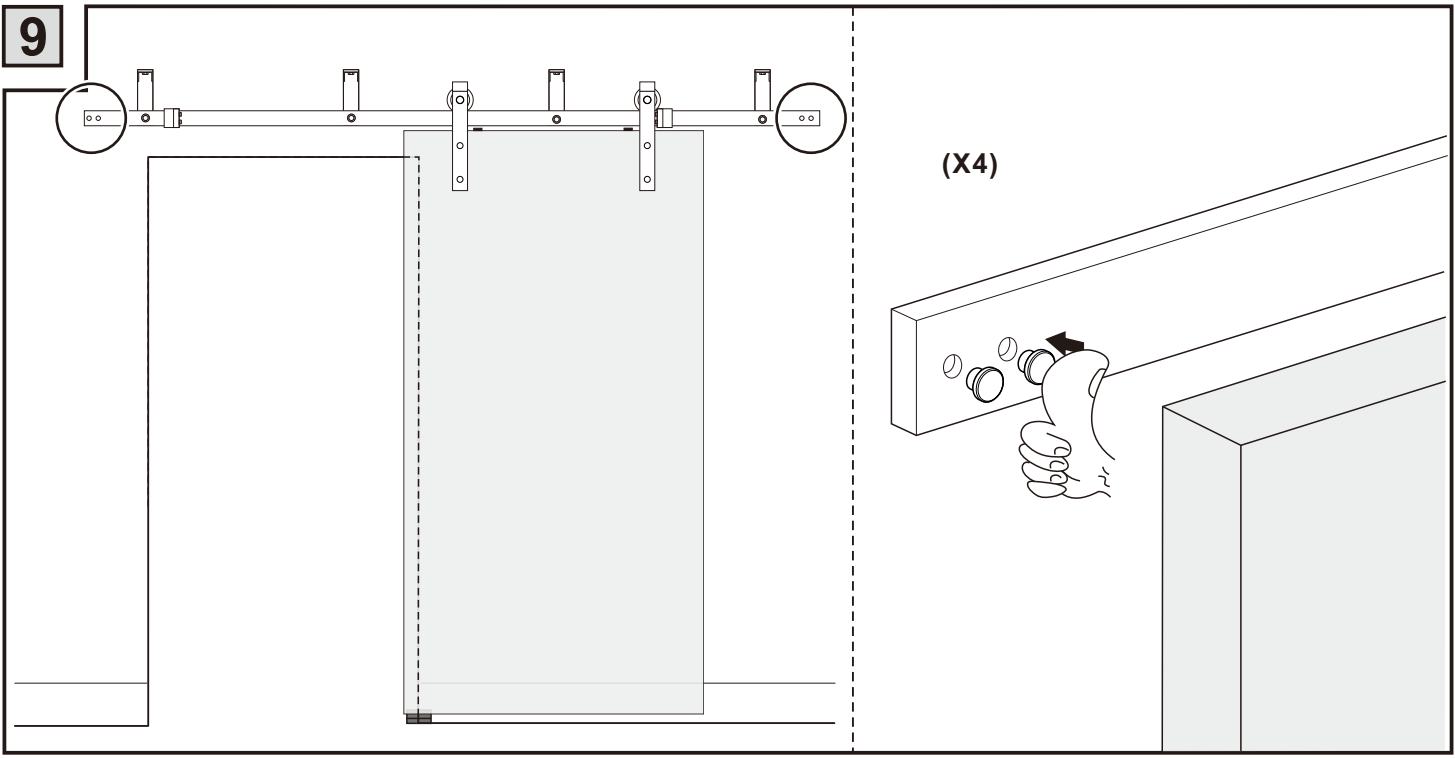
7



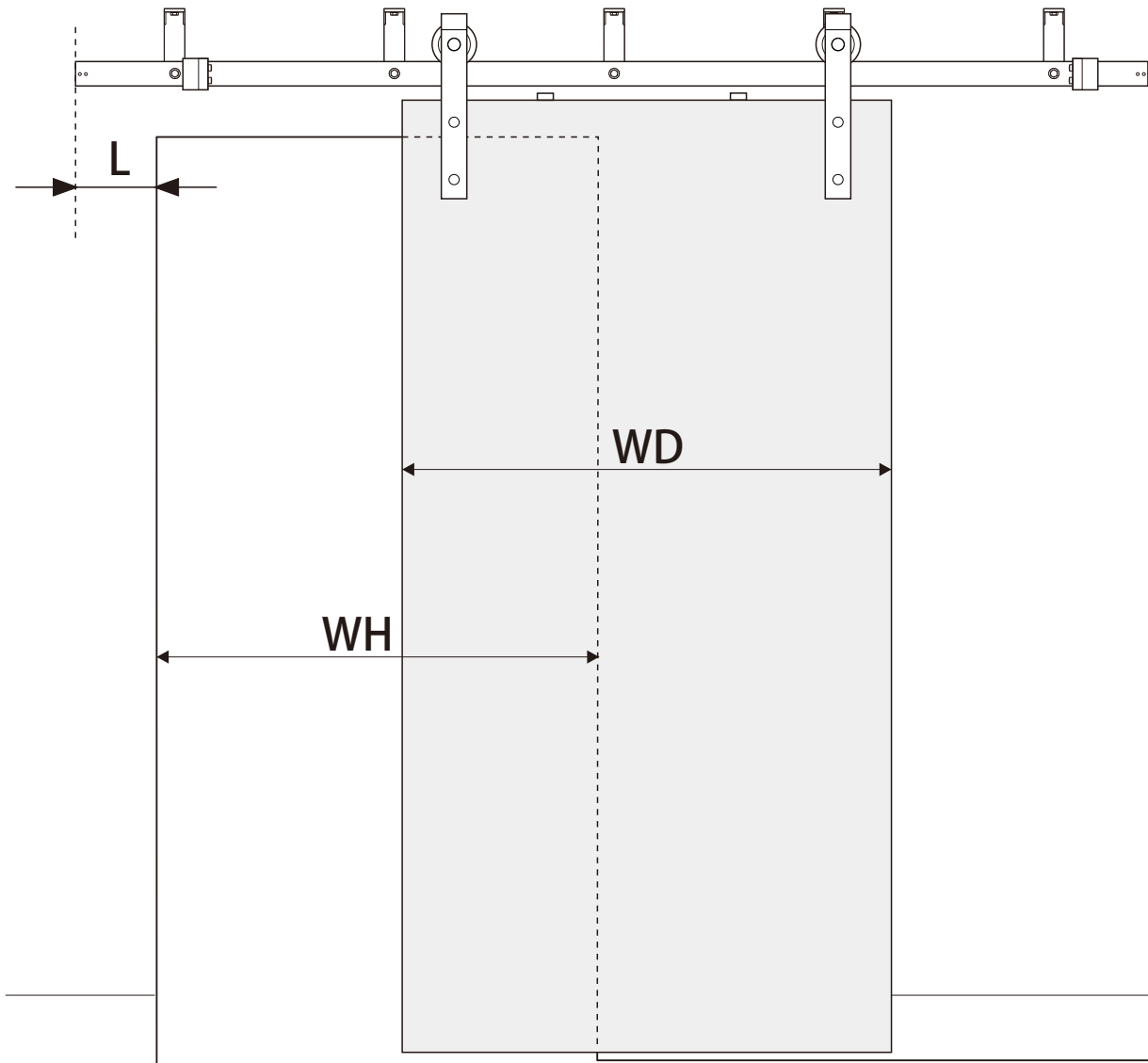
8



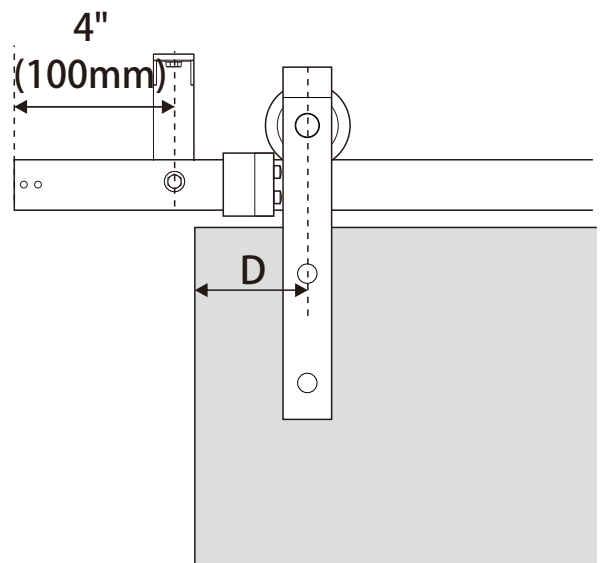
9

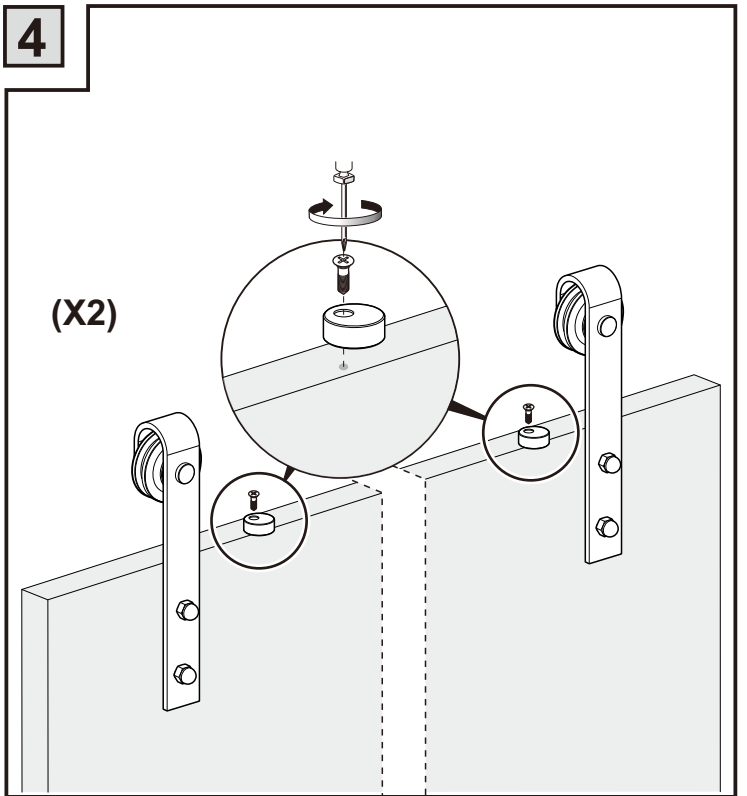
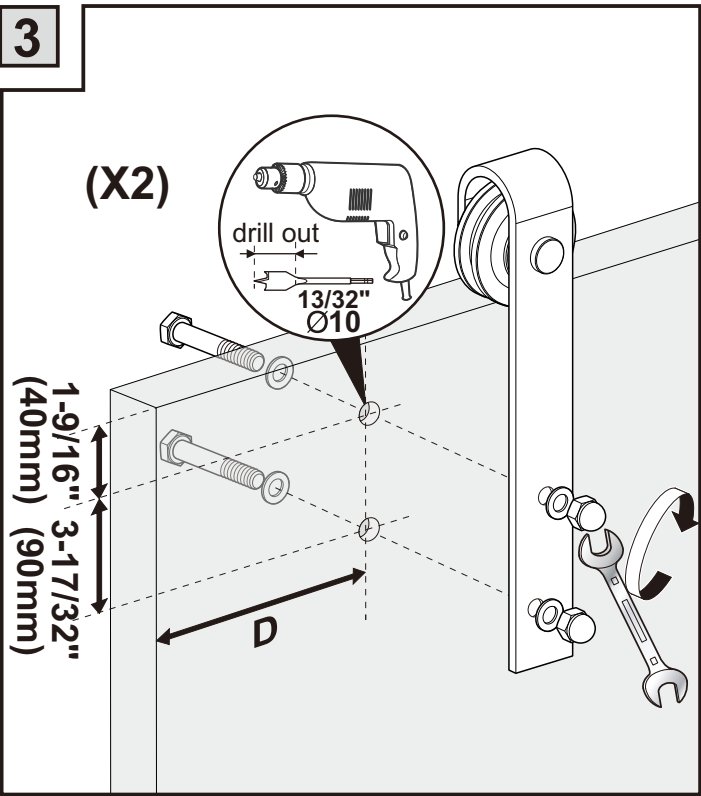
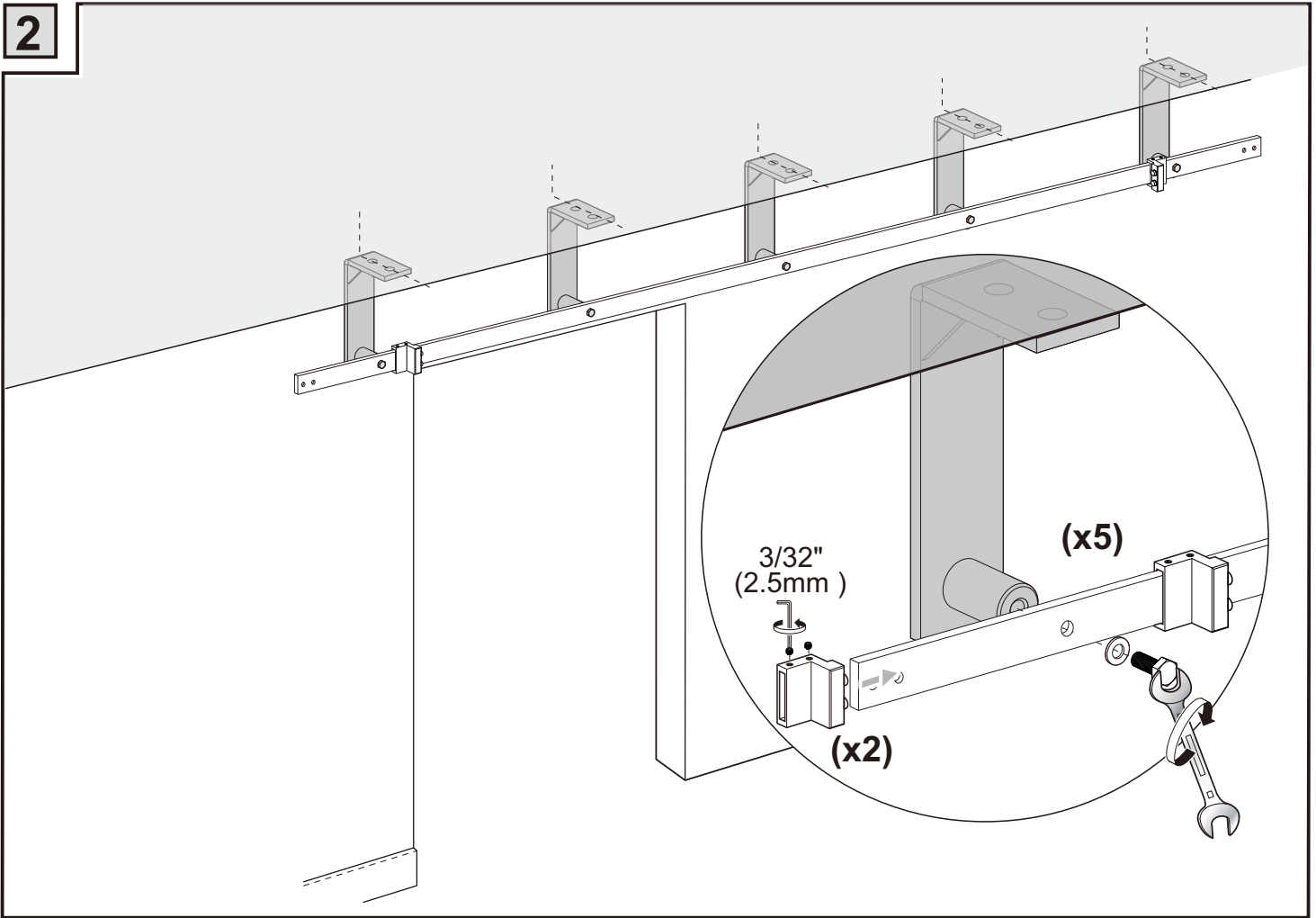


Drilling position measurement

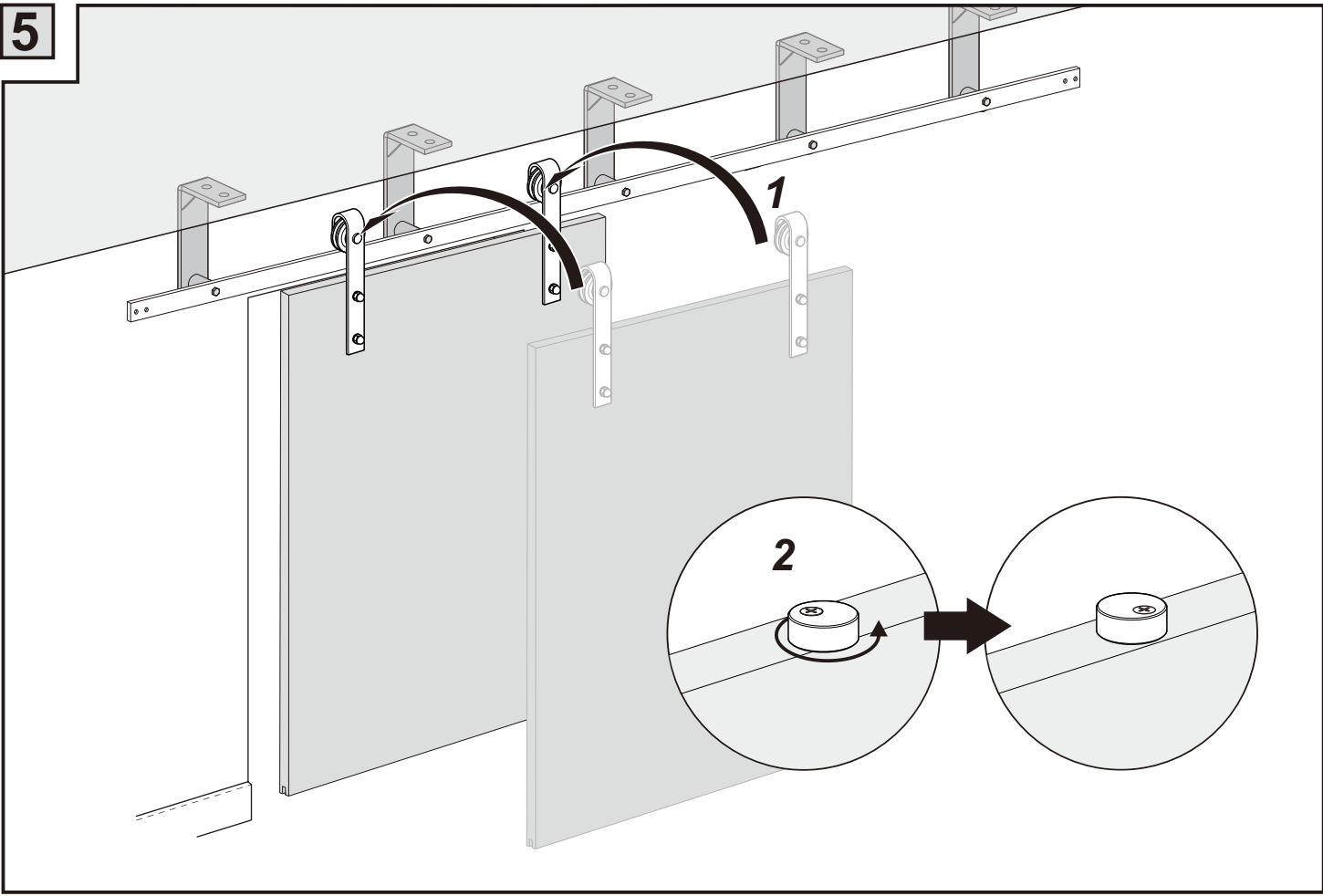


D(mm)	L(mm)
25/32" (20)	$6-19/64" + (WD-WH) / 3/32"$ $160 + (WD-WH) / 2$
3-15/16" (100)	$3-5/32" + (WD-WH) / 3/32"$ $80 + (WD-WH) / 2$
5-29/32" (150)	$1-37/64" + (WD-WH) / 3/32"$ $40 + (WD-WH) / 2$

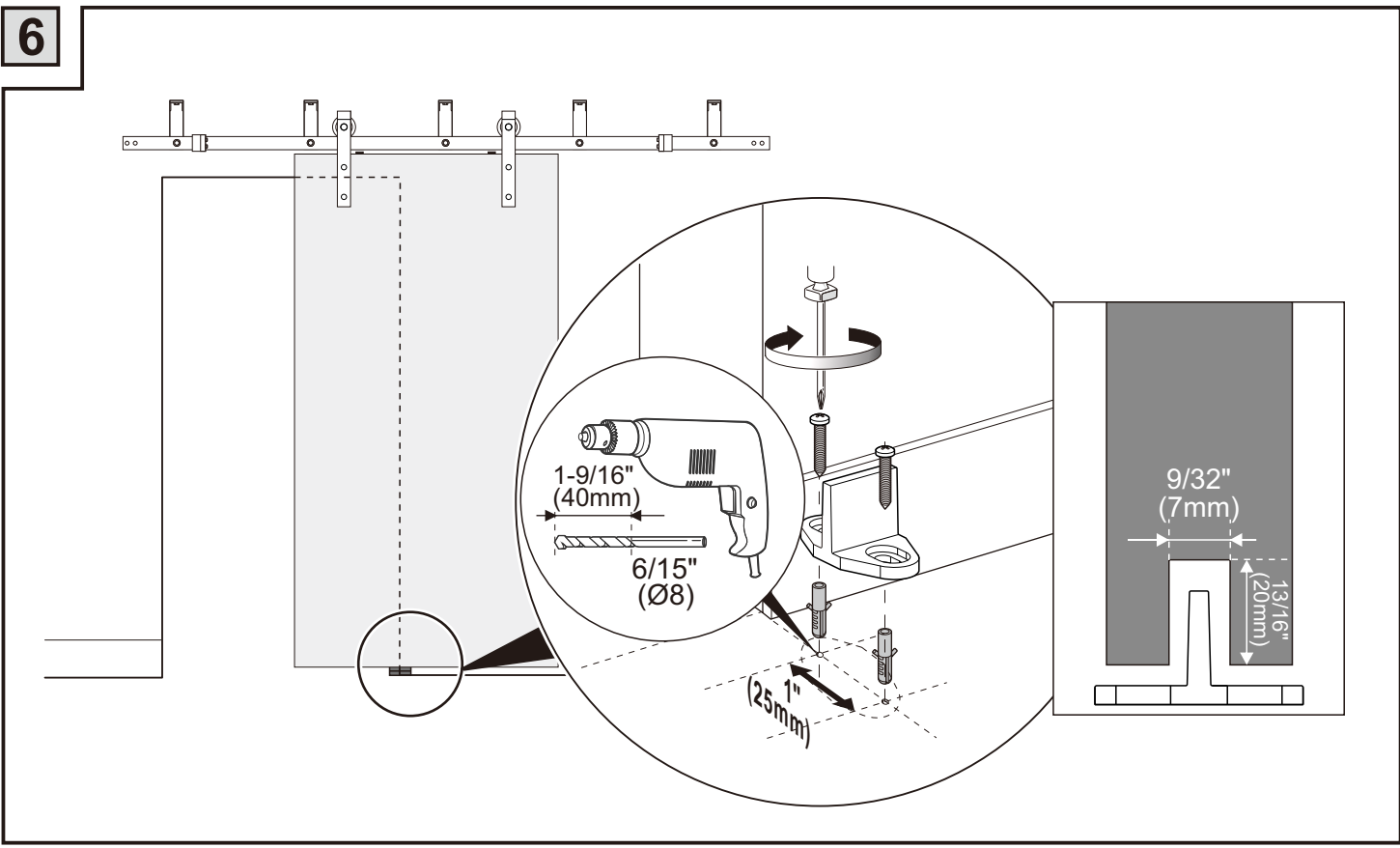




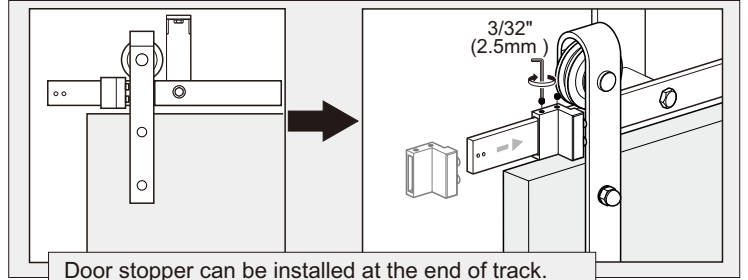
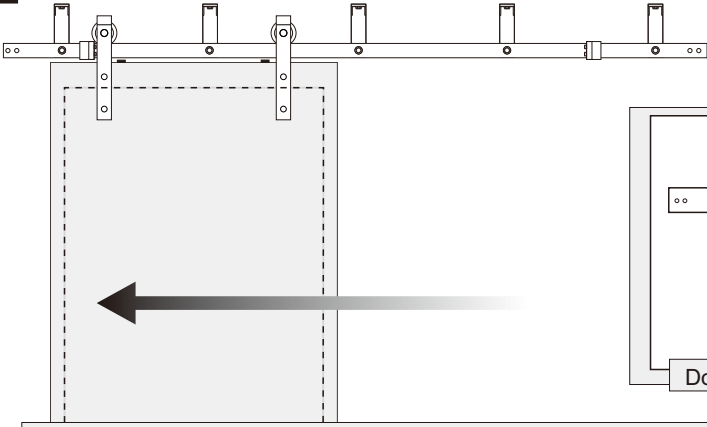
5



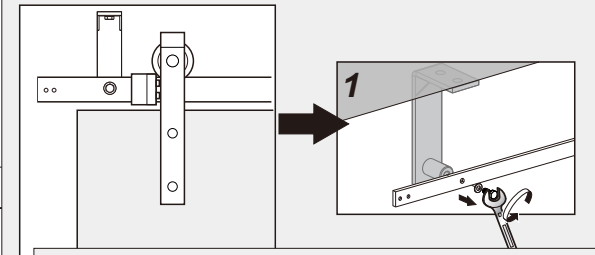
6



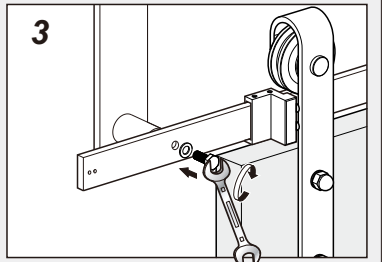
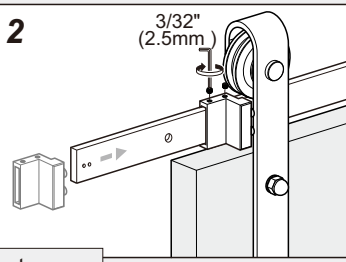
7



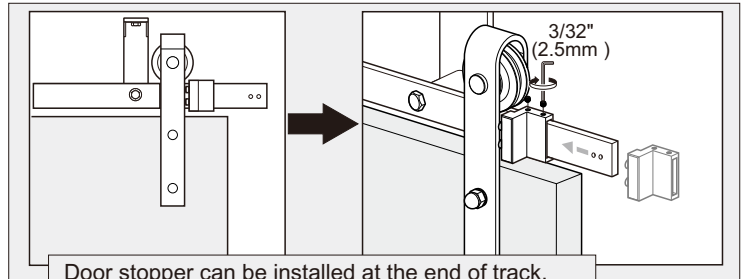
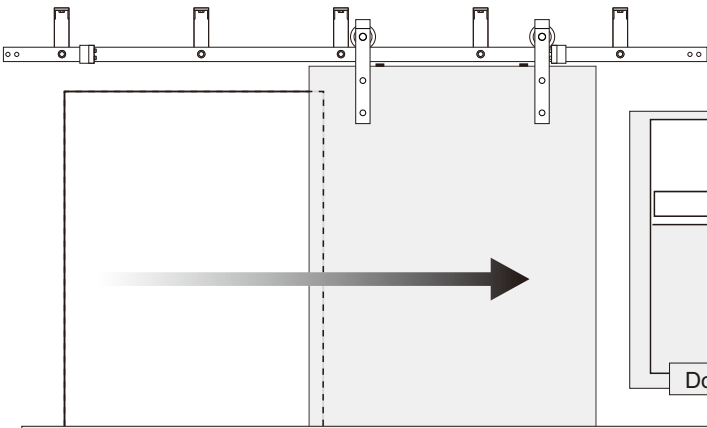
Door stopper can be installed at the end of track.



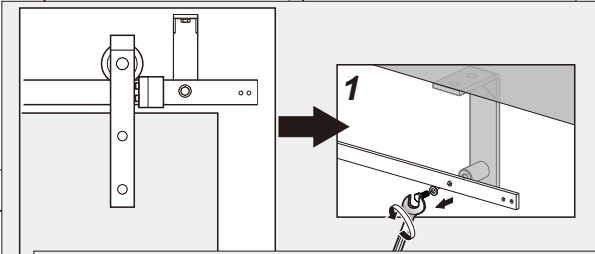
Door stopper can be also installed between two wall mounts.



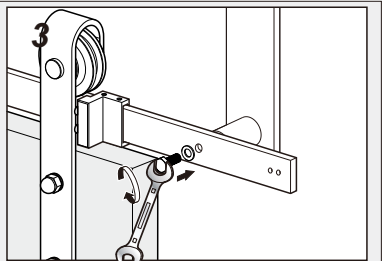
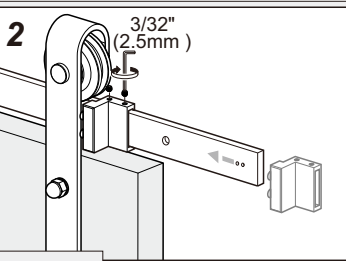
8



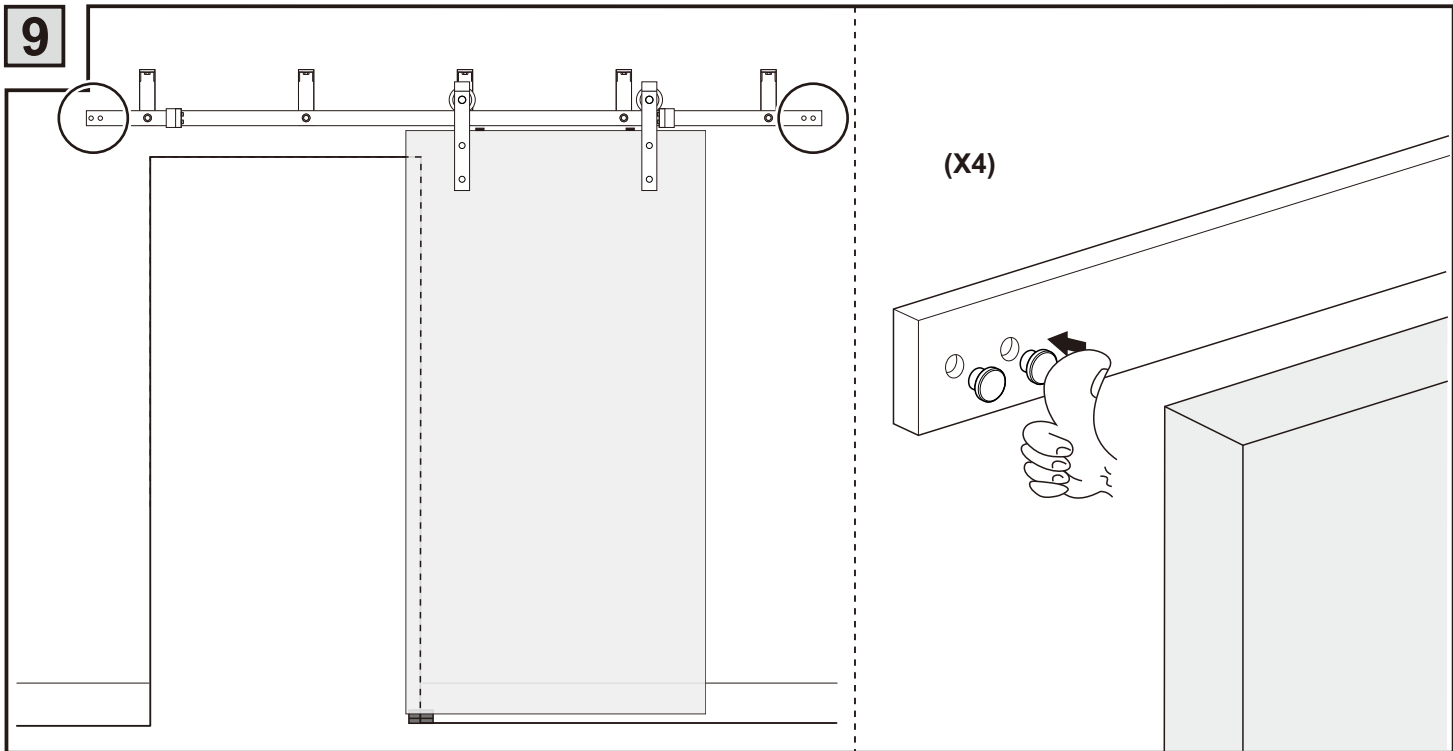
Door stopper can be installed at the end of track.



Door stopper can be also installed between two wall mounts.



9



(X4)