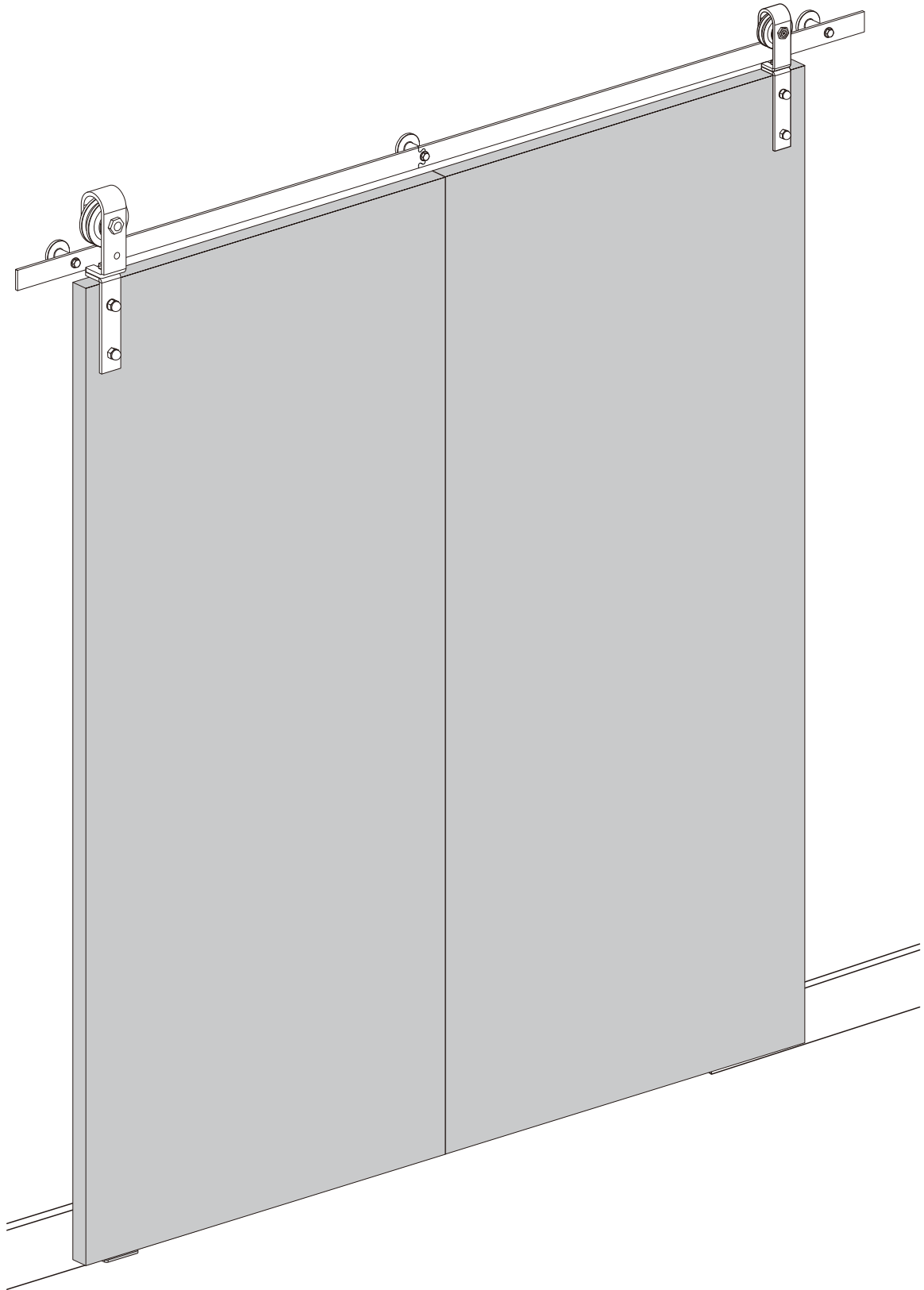
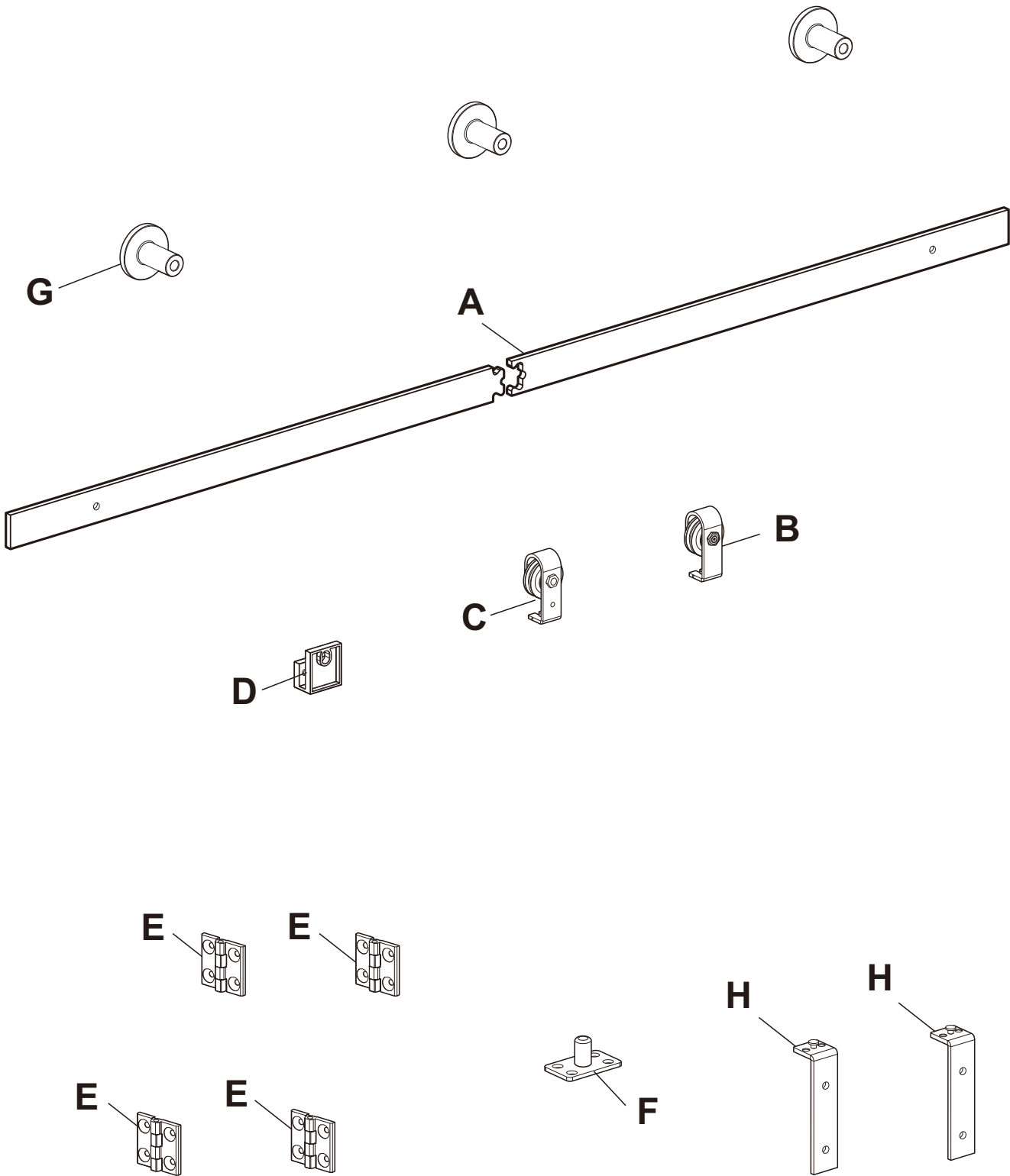


Installation Manual

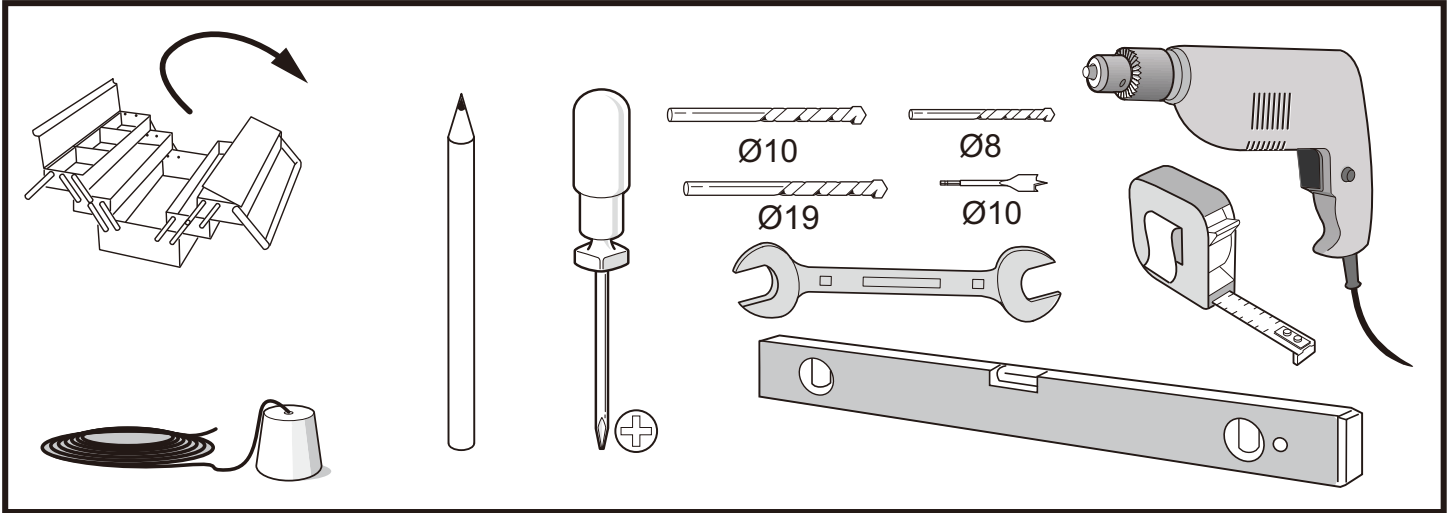


Components list



Pre-installation

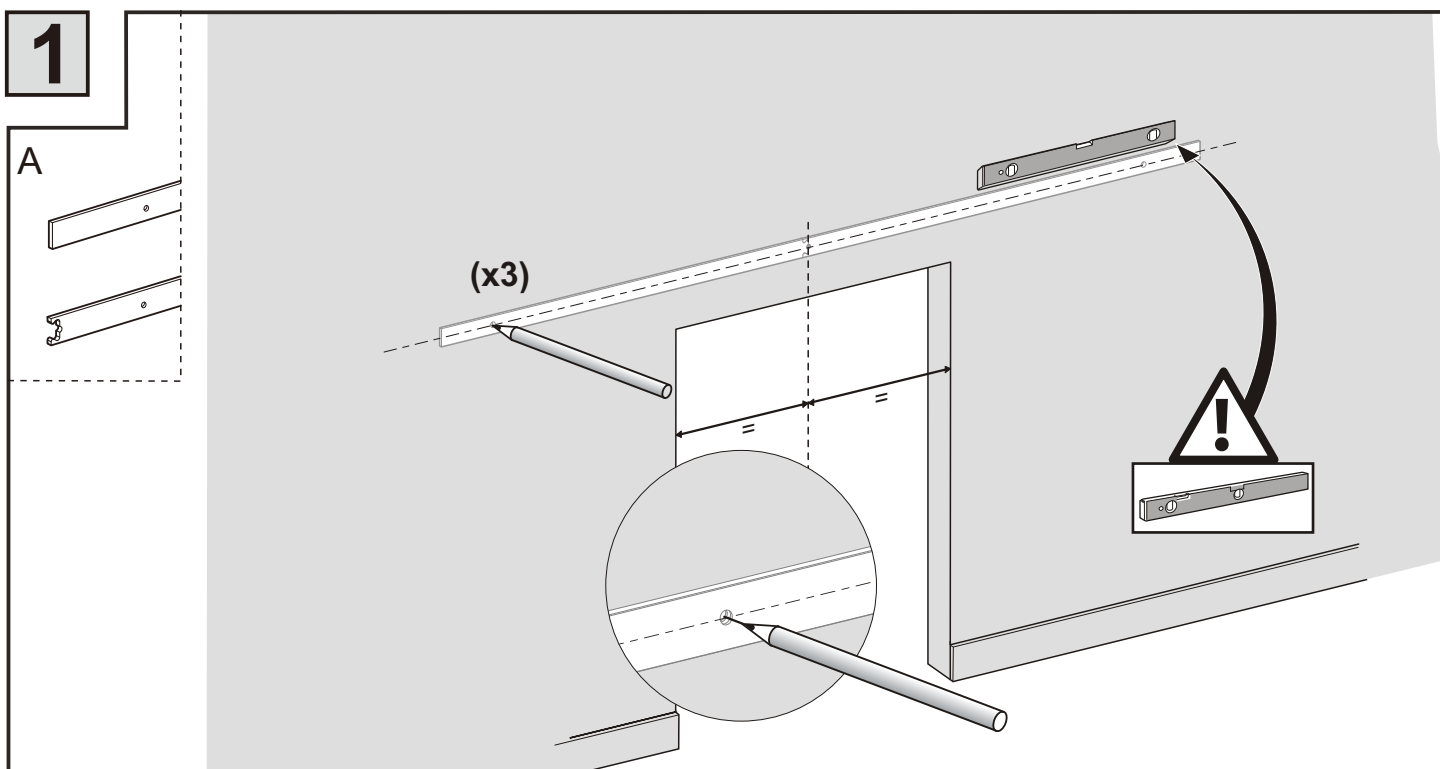
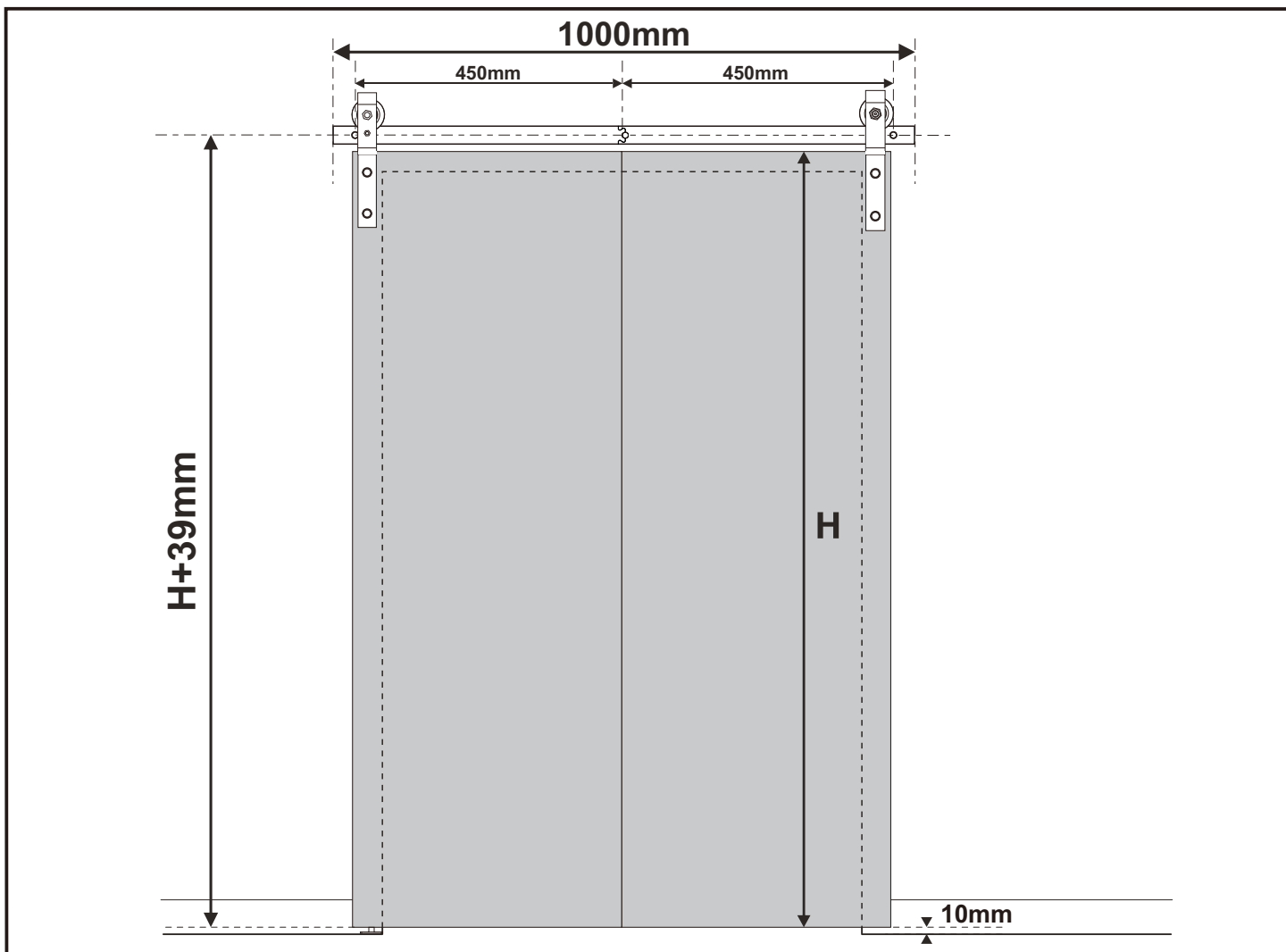
TOOLS REQUIRED



HARDWARE INCLUDED

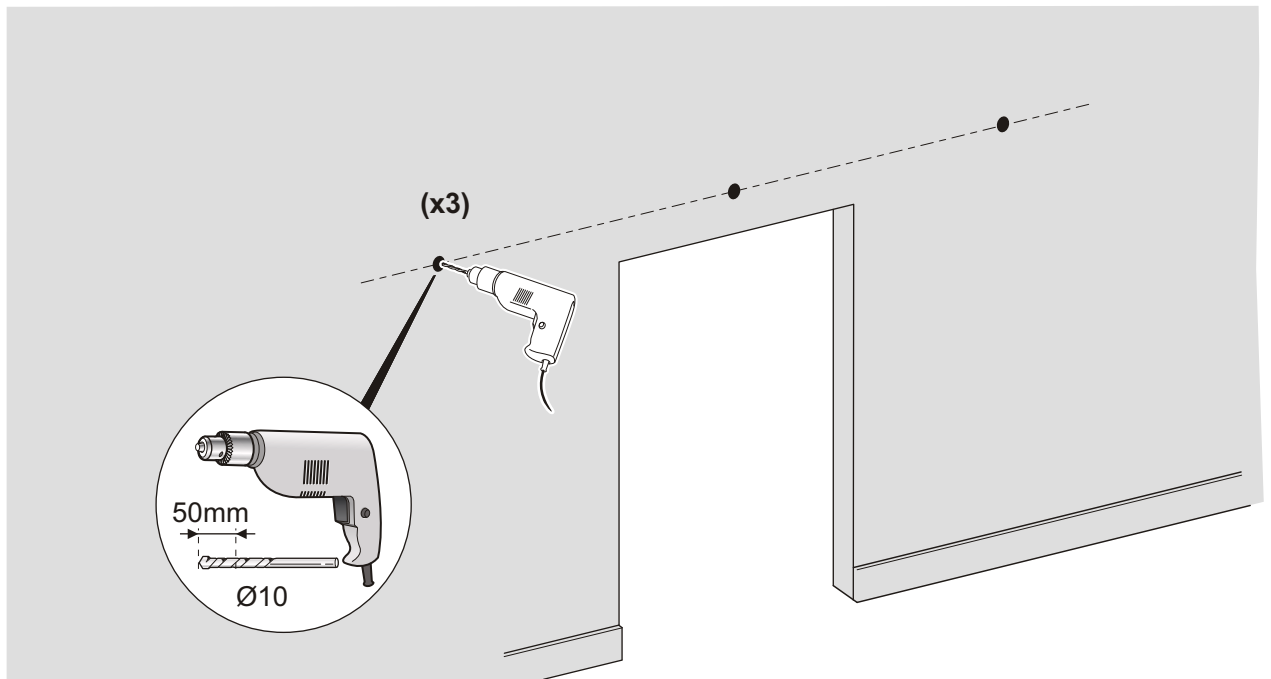
<p>A</p> <p>Ø10 (x3) (x3) M8x90(x3)</p>	<p>B</p> <p>(x1) (x1)</p>	<p>C</p> <p>(x1) M5x26 (x1) (x1)</p>
<p>D</p> <p>(x1) M5x6(x2)</p>	<p>E</p> <p>(x3) M6X25(x12)</p>	<p>F</p> <p>(x1) (x1) Ø8(x4) ST4.2X32(x4)</p>
<p>G</p> <p>(x3)</p>	<p>H</p> <p>M10x55 (x 4) bolts for 35-40mm door M10x60 (x 4) bolts for 40-45mm door ST4.8X50 (x4)</p> <p>(x2)</p>	<p>H</p> <p>(x1)</p>

Installation



Installation

2

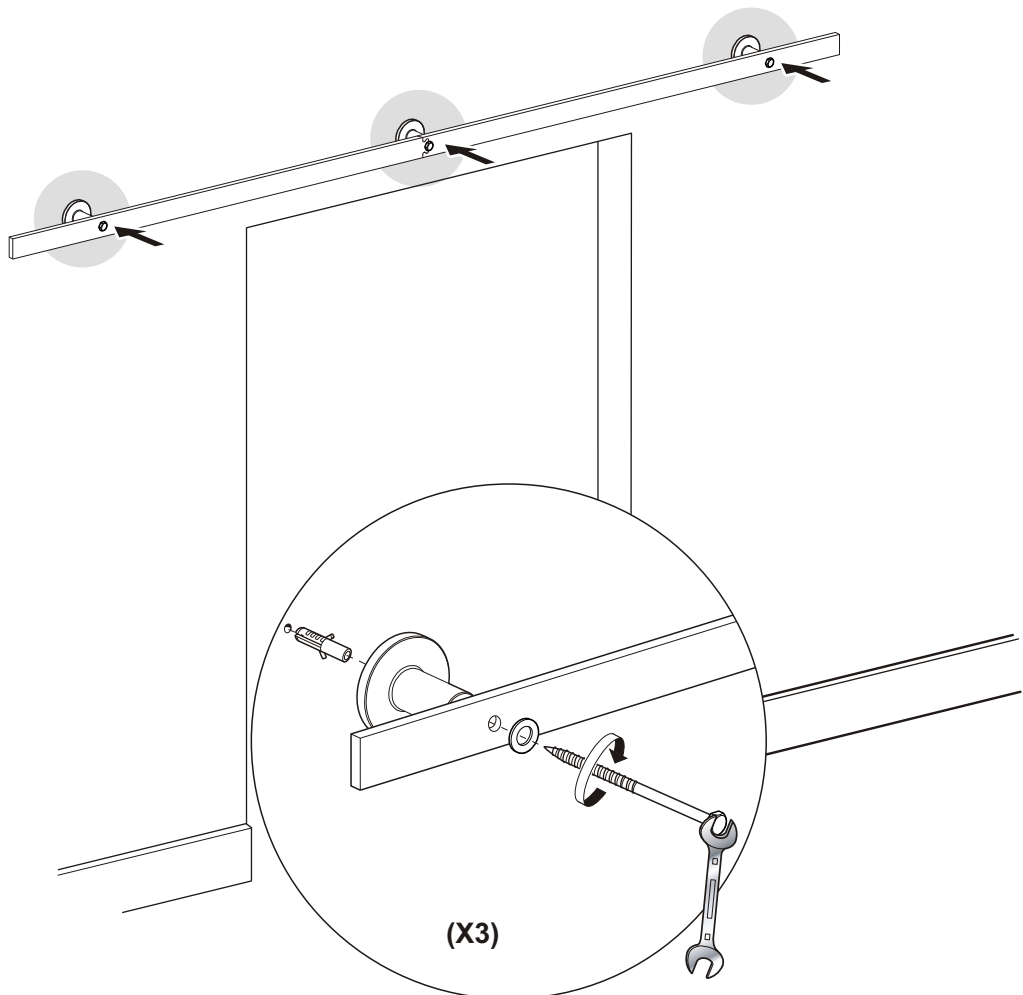
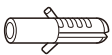


3

G



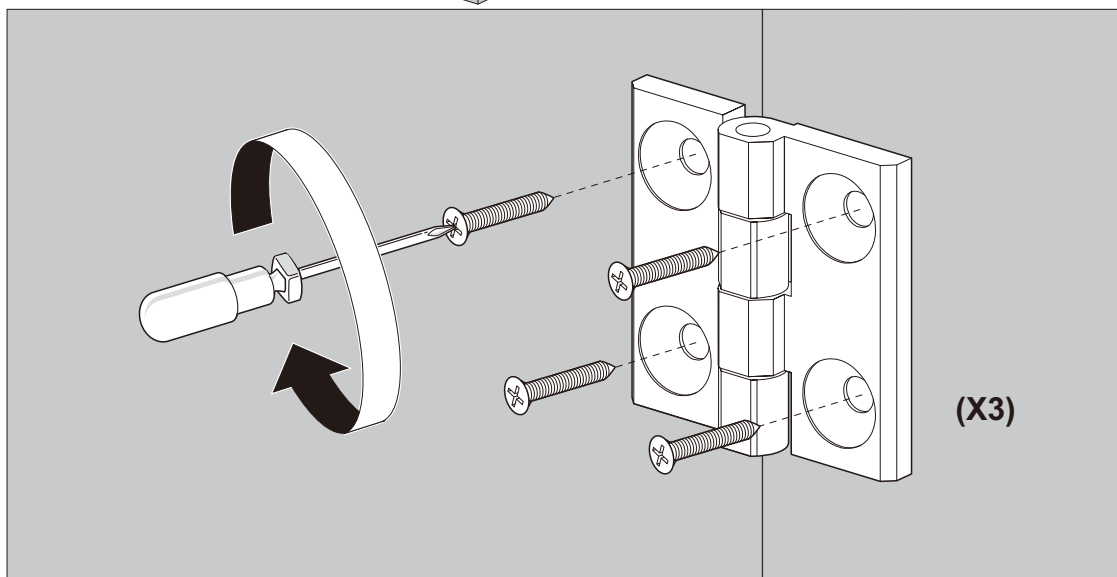
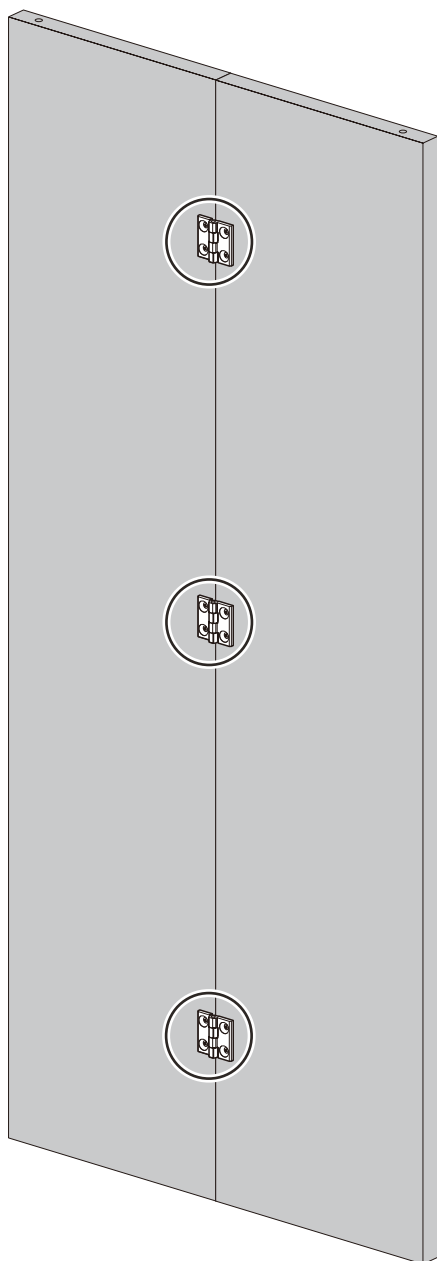
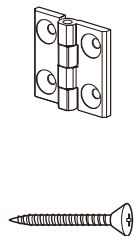
A



Installation

4

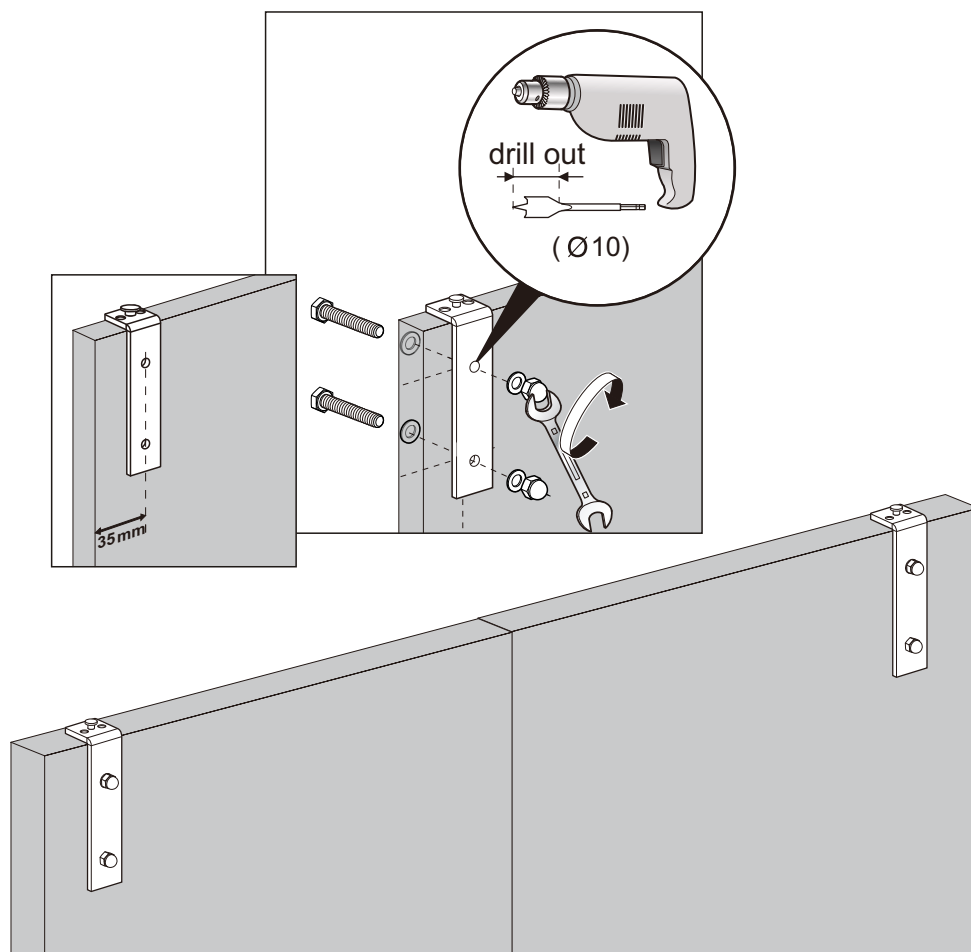
E



Installation

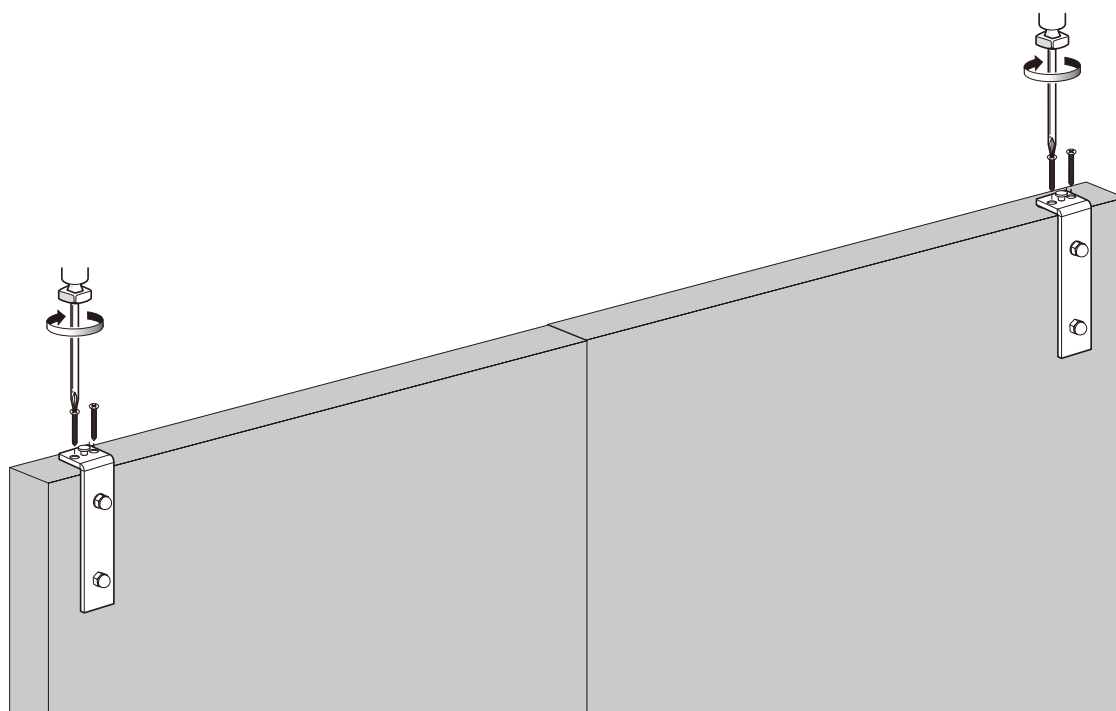
5

H



6

H



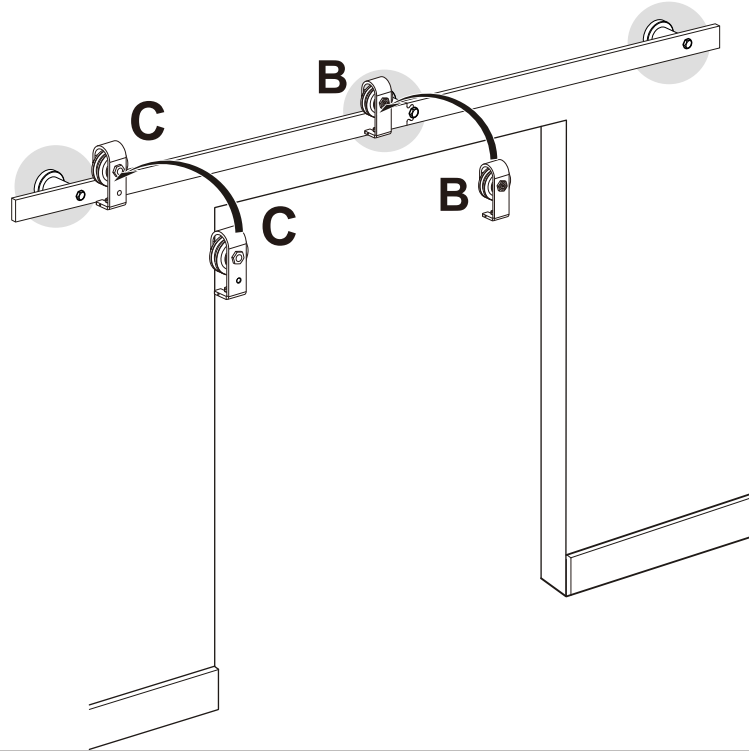
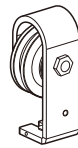
Installation

7

B

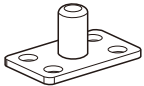


C

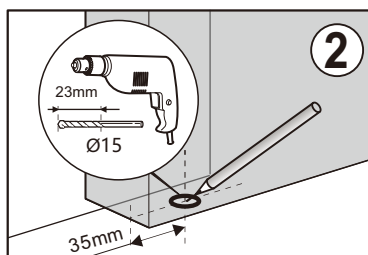
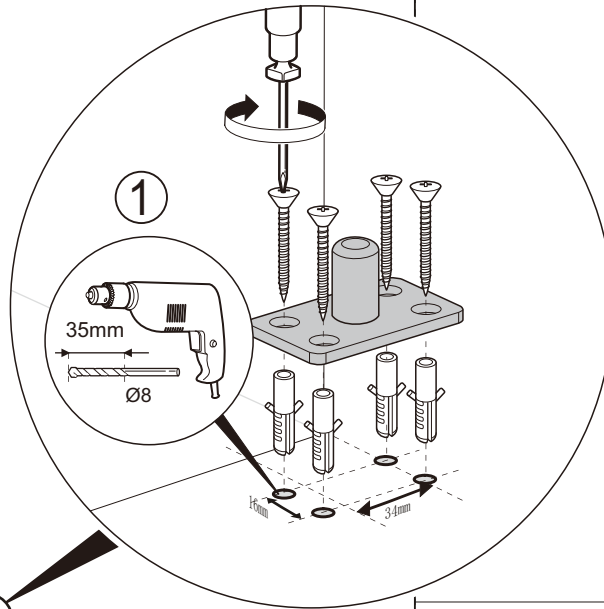


8

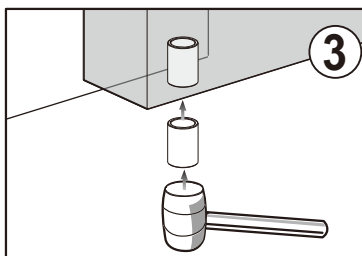
F



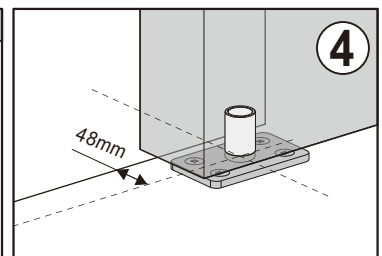
$\geq 30\text{mm}$



2



3

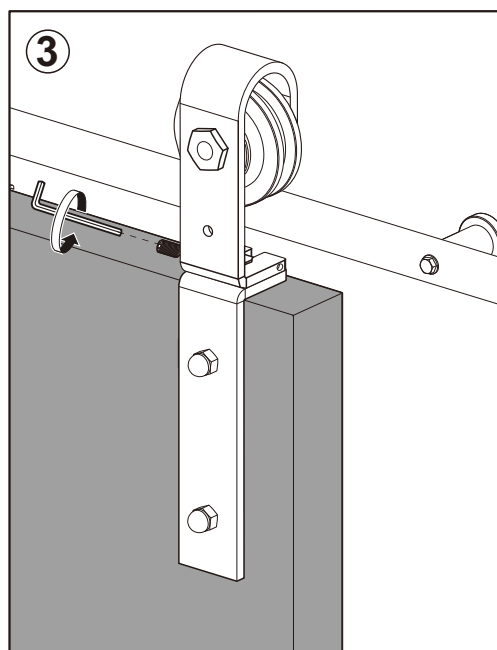
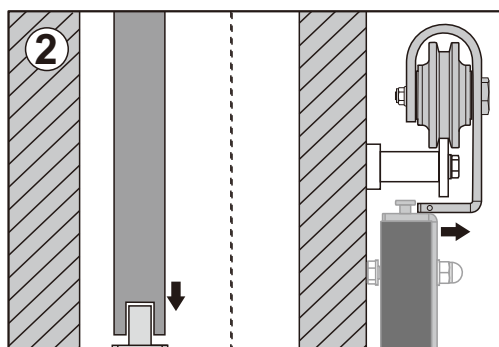
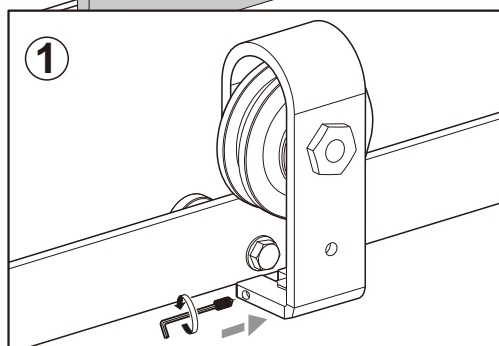
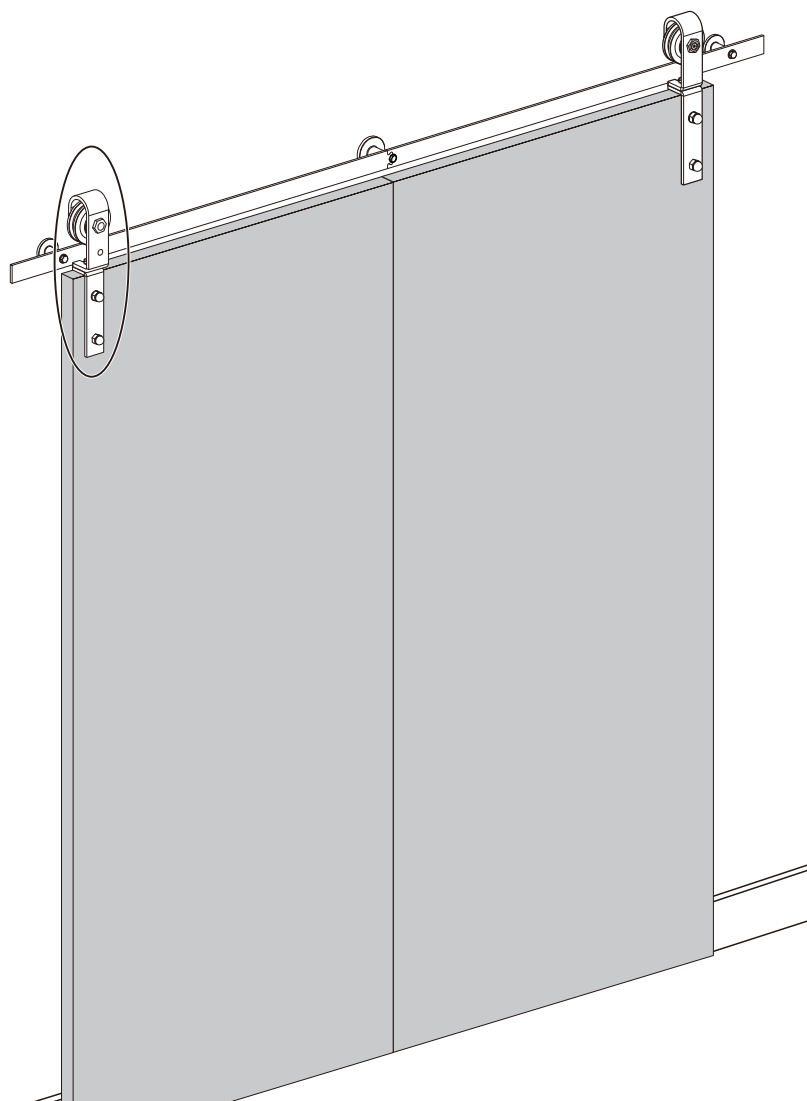


4

Installation

9

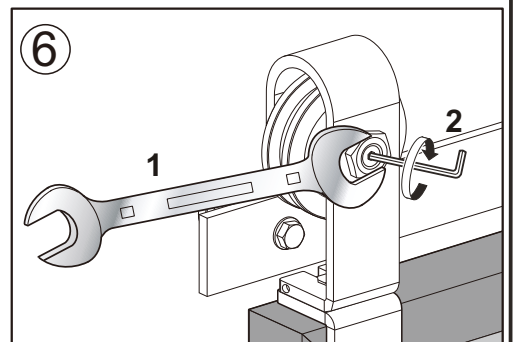
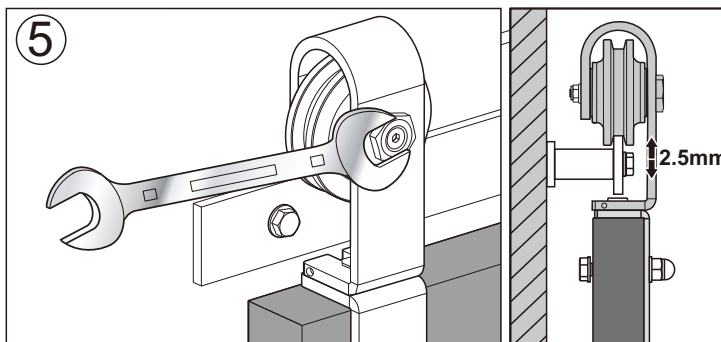
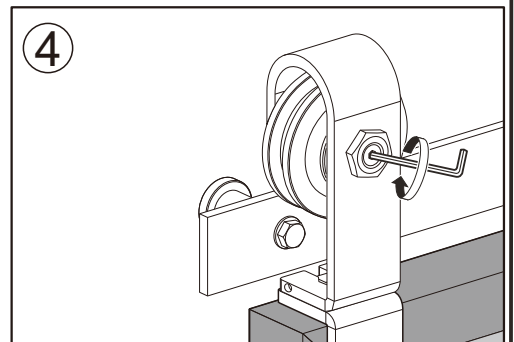
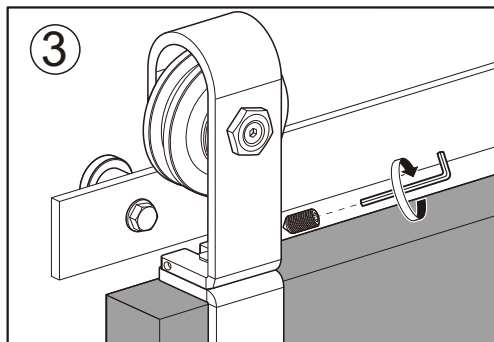
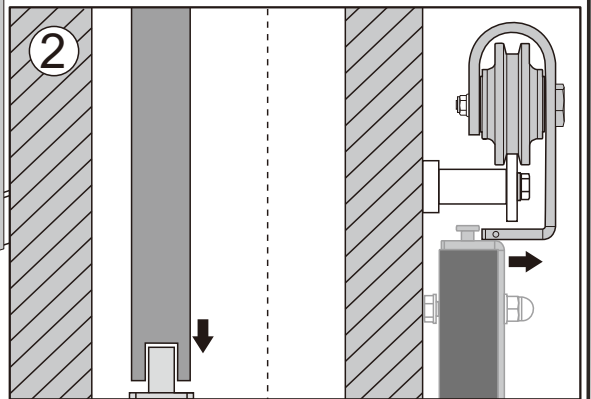
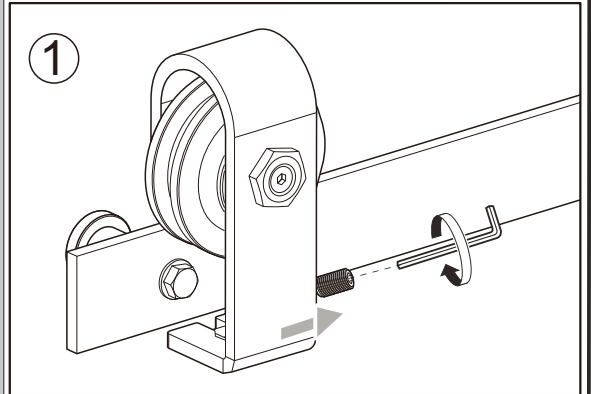
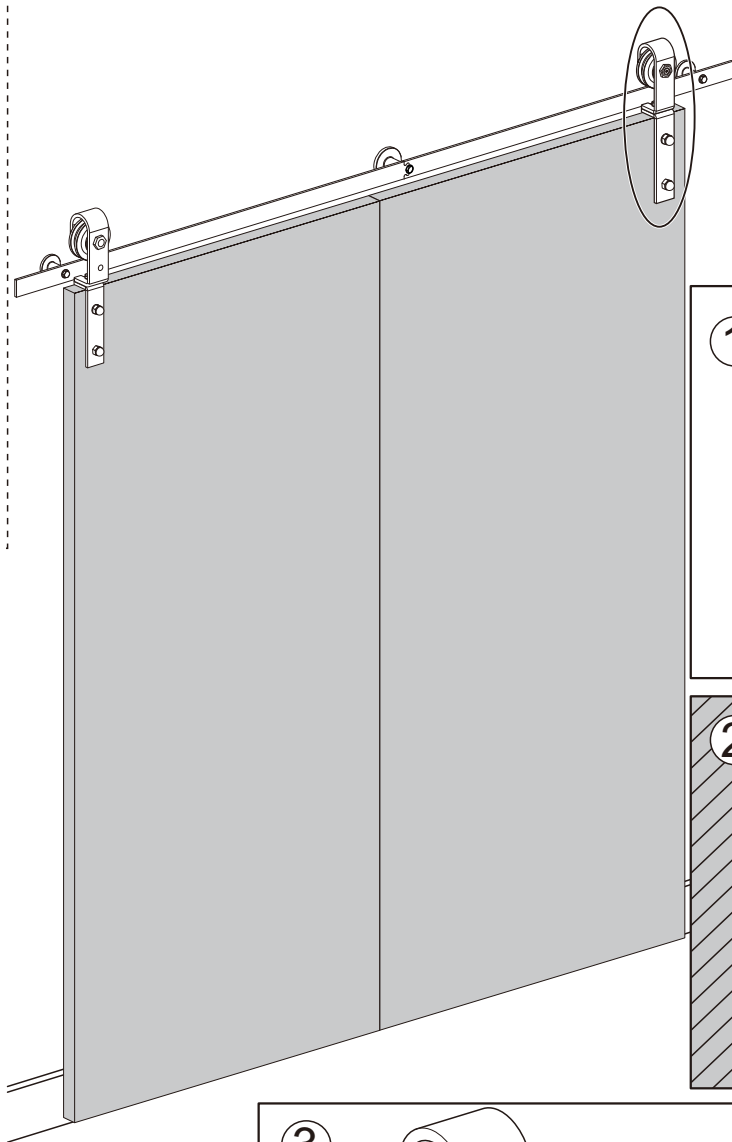
C



Installation

10

B



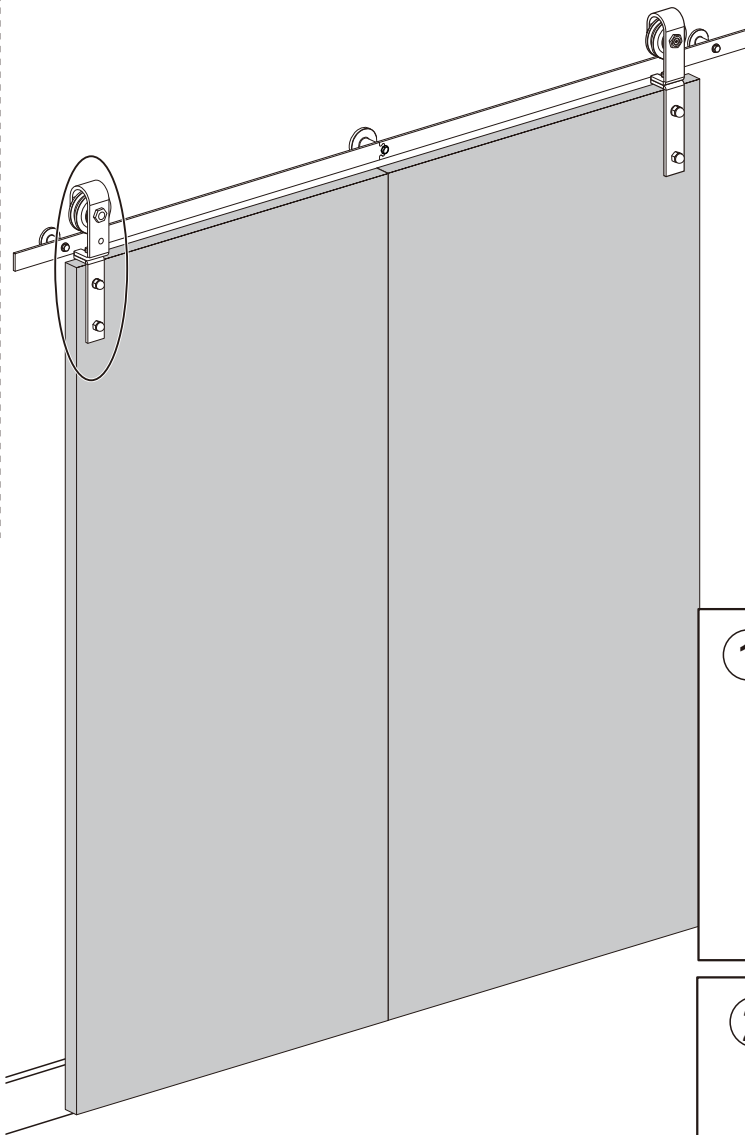
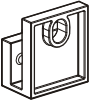
Installation

11

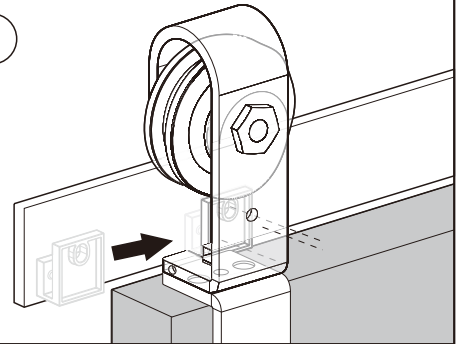
C



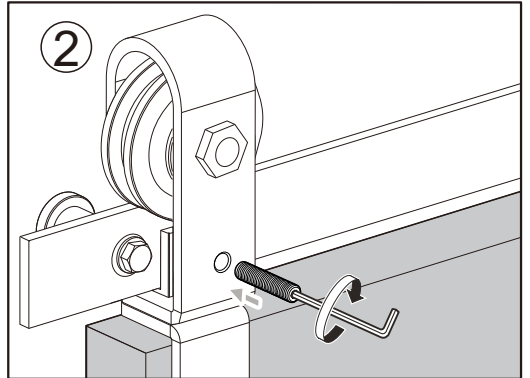
D



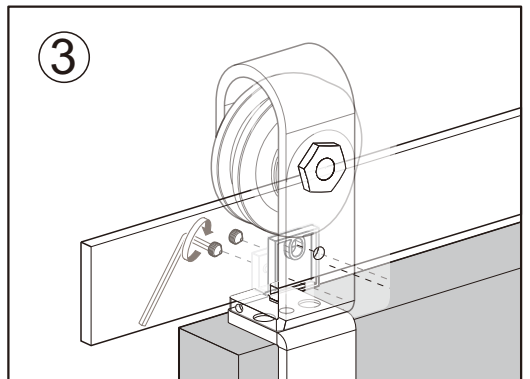
1



2



3



4

(x2)

