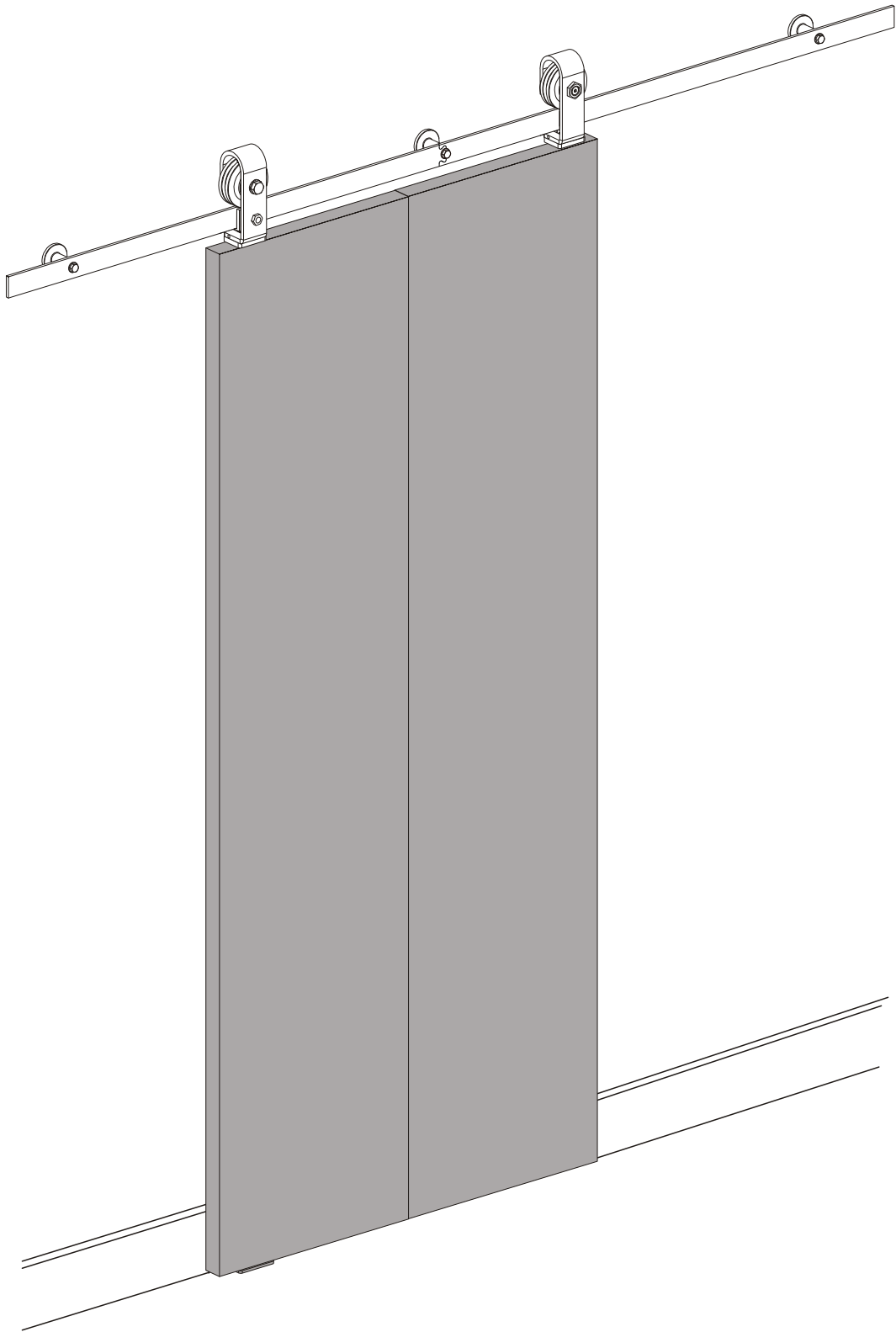
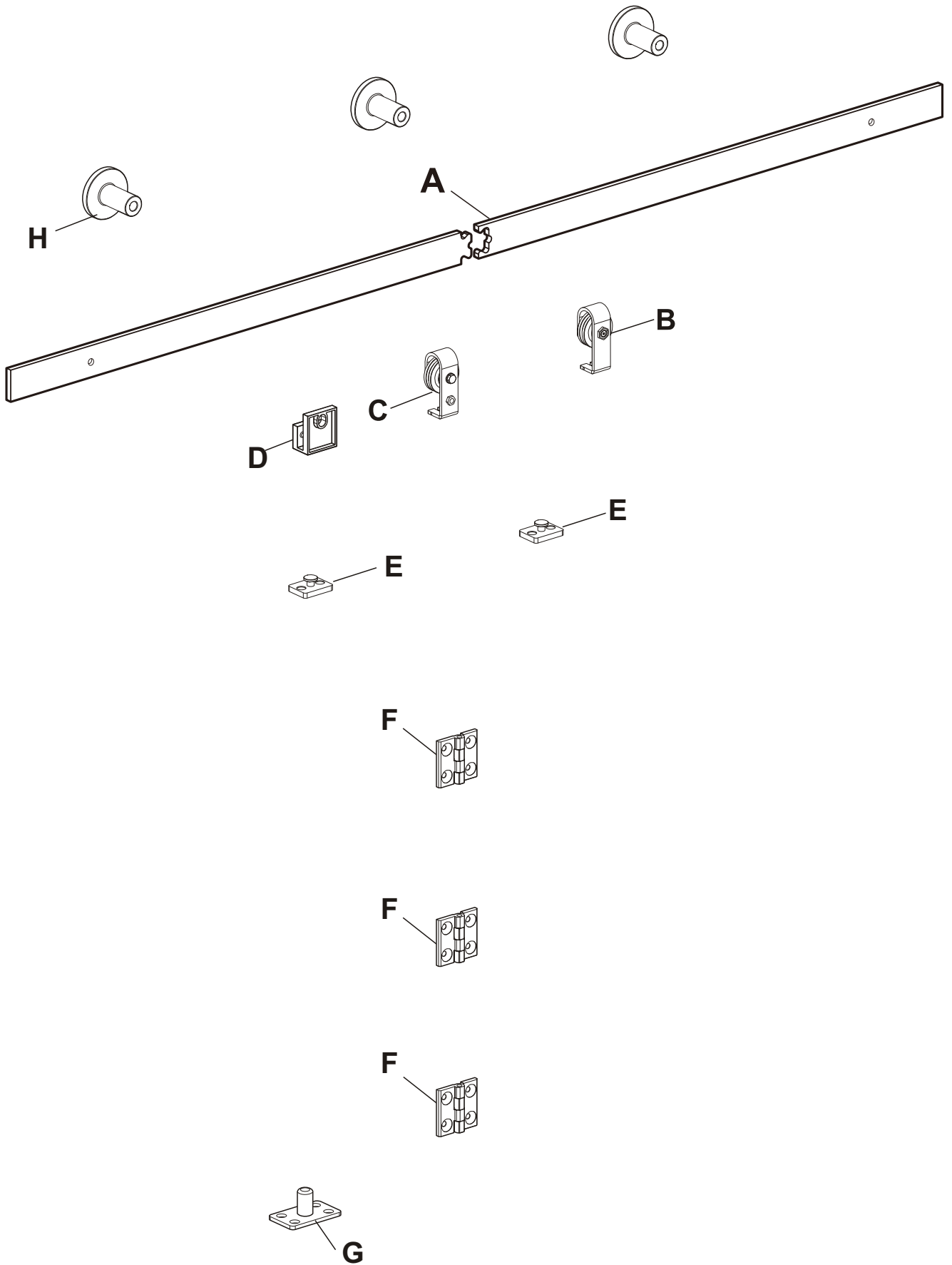


Installation Manual

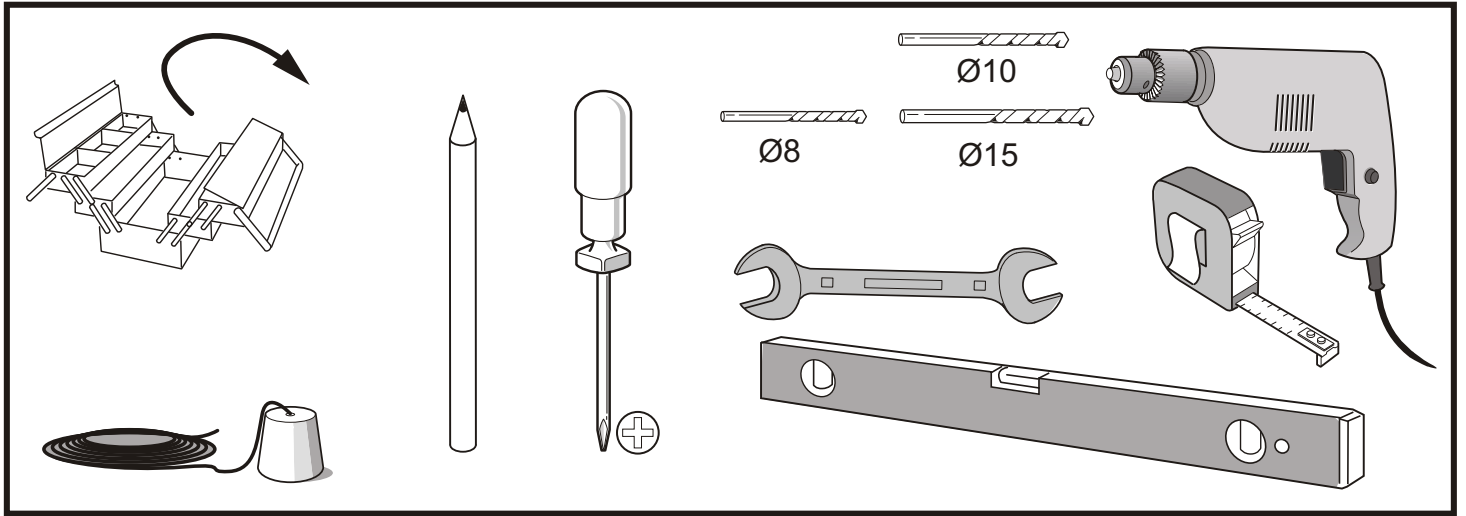


Components list



Pre-installation

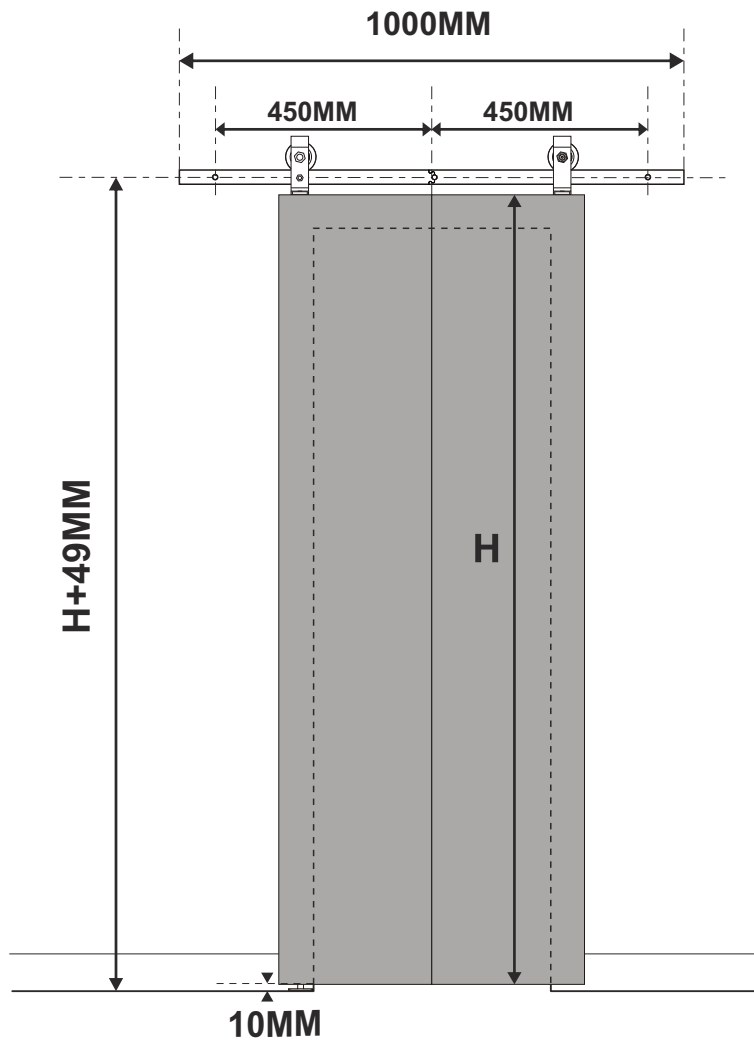
TOOLS REQUIRED



HARDWARE INCLUDED

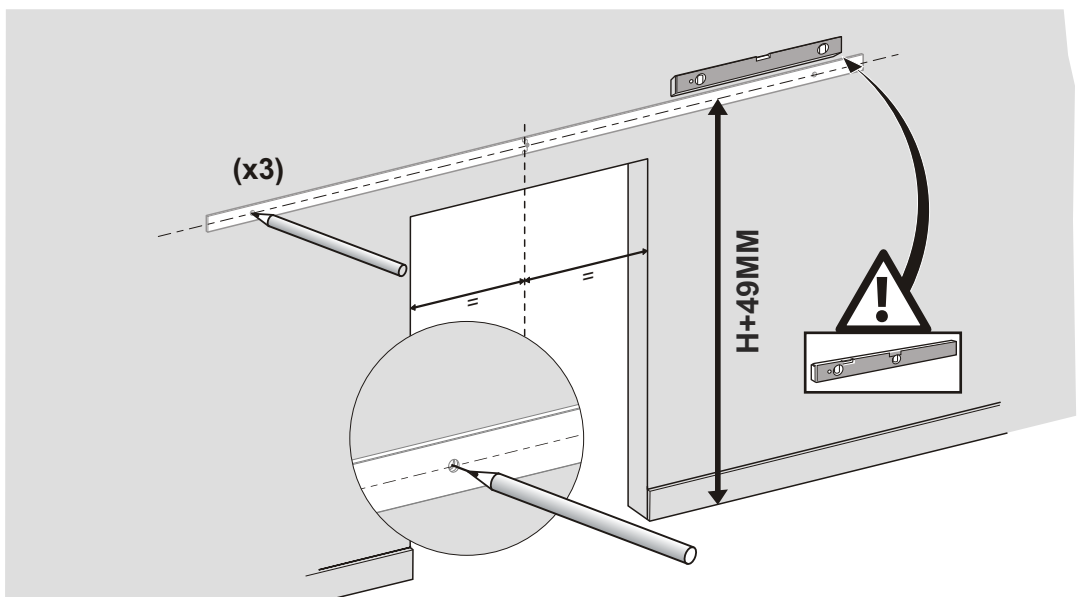
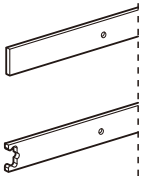
<p>A</p> <p>(x3) Ø10(x3) M8x90(x3)</p> <p>(x1) (x1)</p>	<p>B</p> <p>(x1) (x1)</p>	<p>C</p> <p>(x1) ST5x26(x1)</p>
<p>D</p> <p>(x1) ST5x6(x2)</p>	<p>E</p> <p>ST4.8x50(x4) (x2)</p>	<p>F</p> <p>(x3) ST6x25(x12)</p>
<p>G</p> <p>(x1) Ø8(x4) (x1) ST4.2x32(x4)</p>	<p>H</p> <p>(x3)</p>	<p>I</p> <p>(x3)</p>

Installation



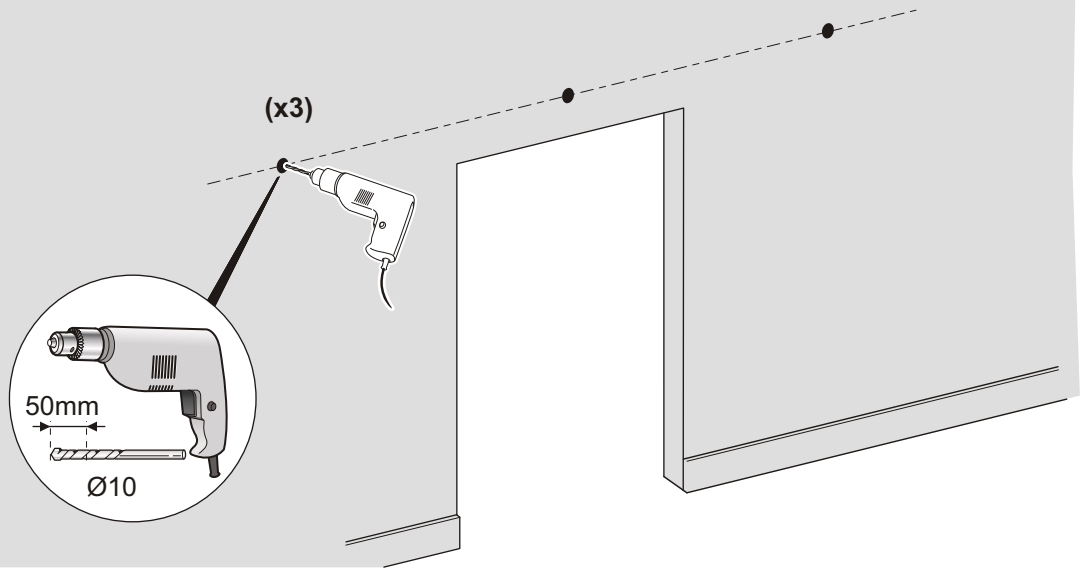
1

A



Installation

2

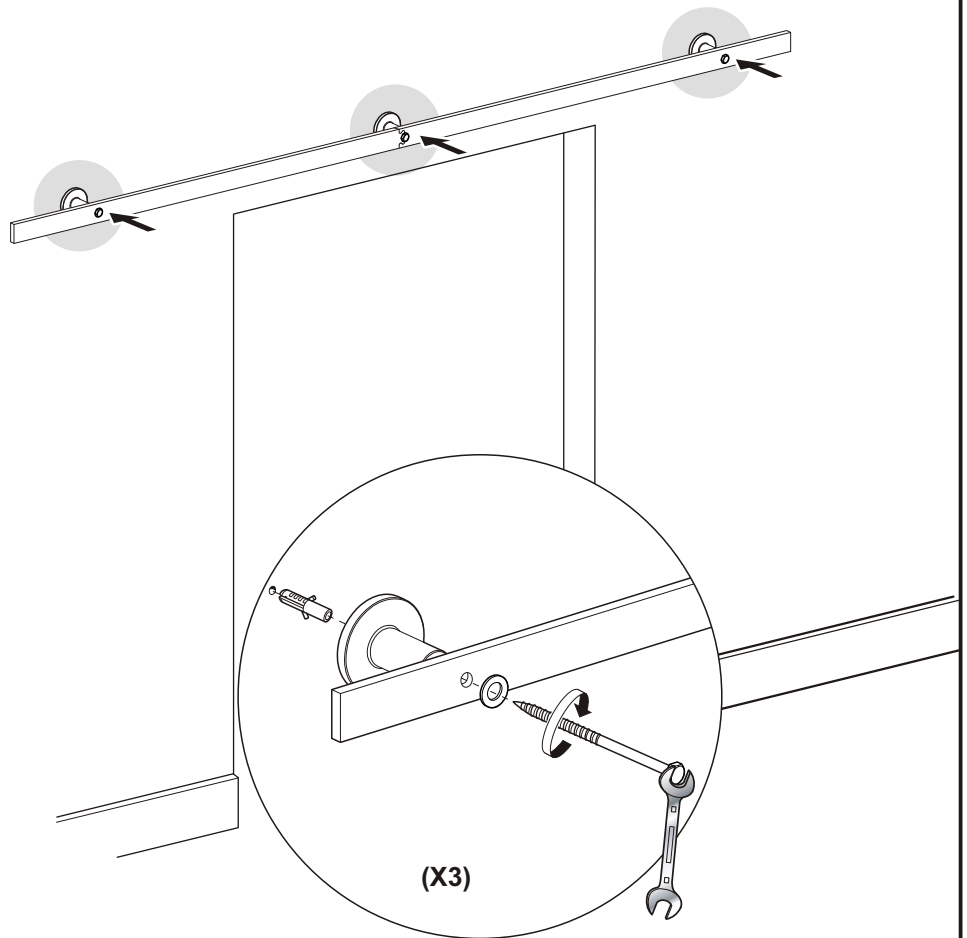
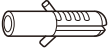


3

H



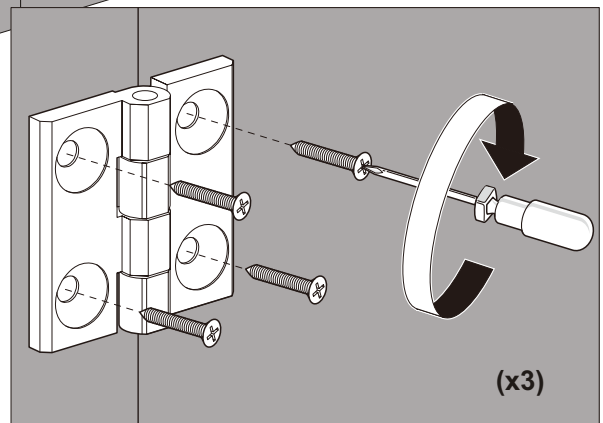
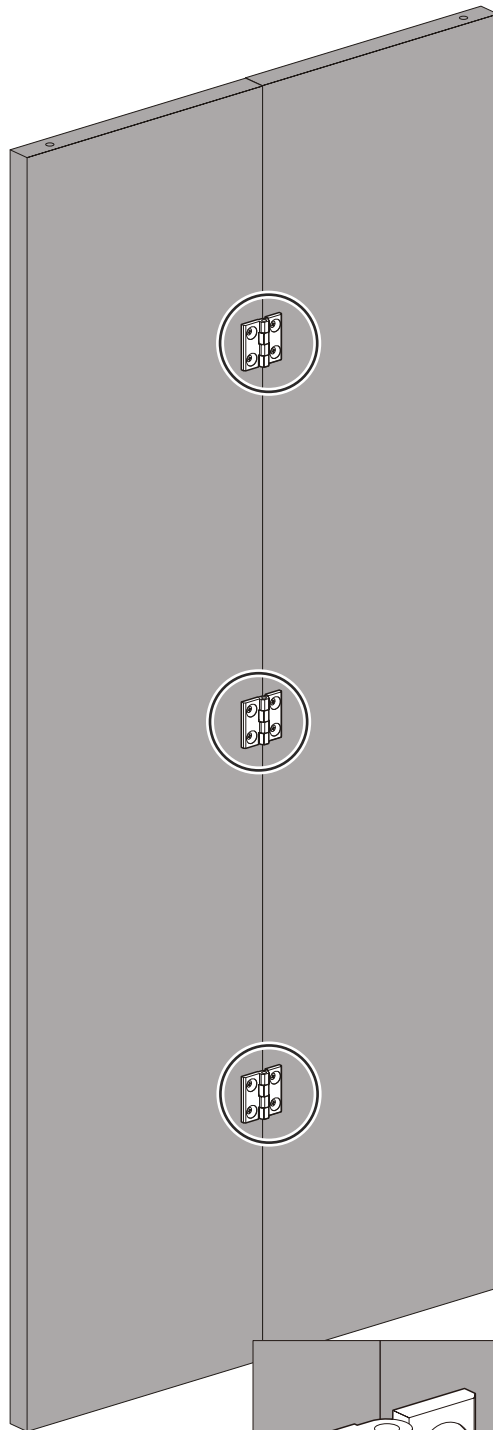
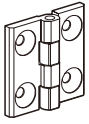
A



Installation

4

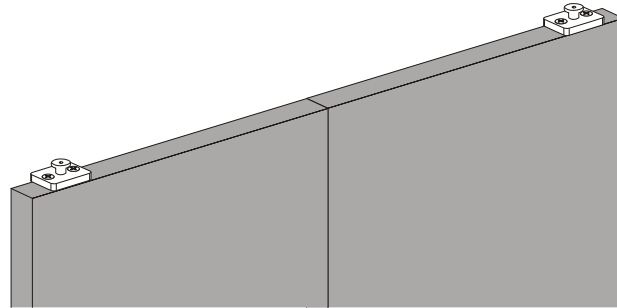
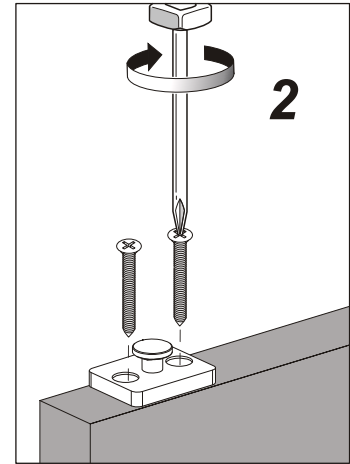
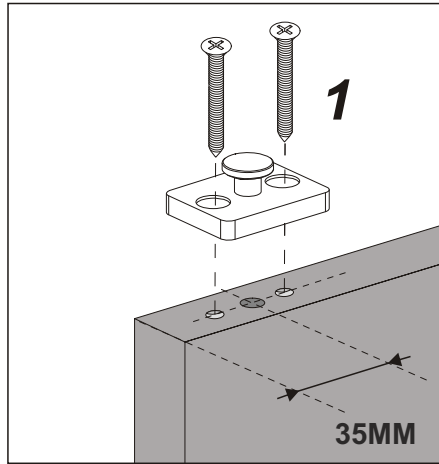
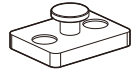
F



Installation

5

E

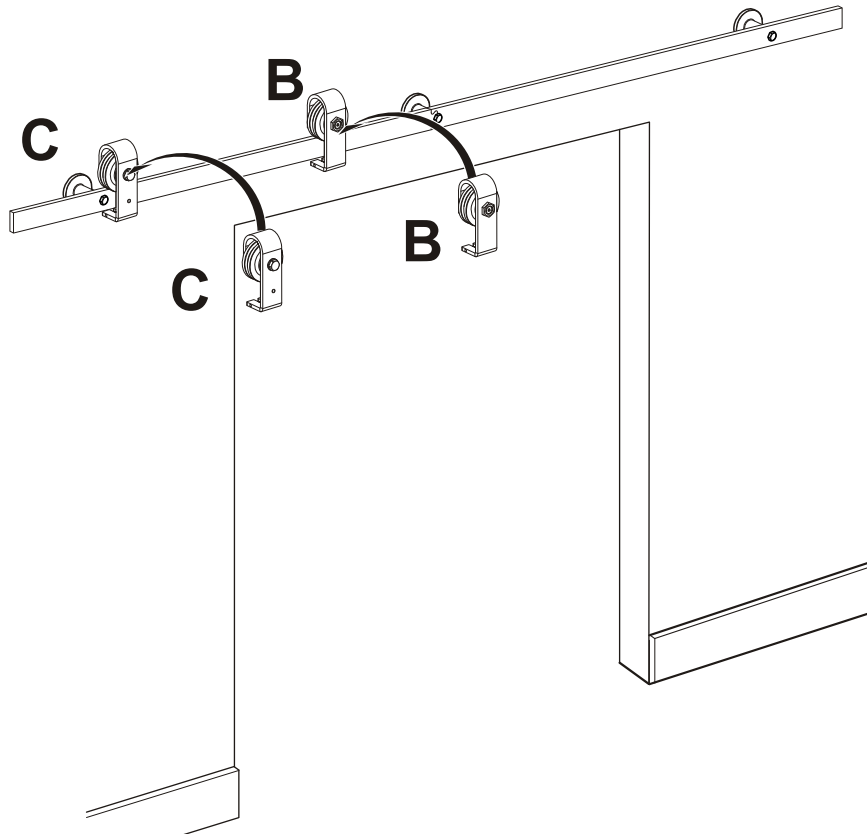


6

B



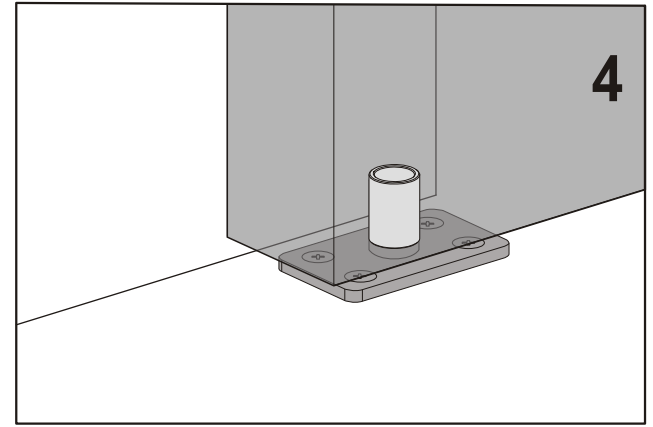
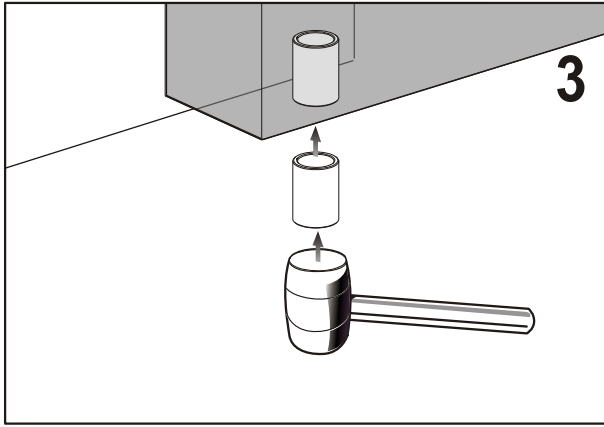
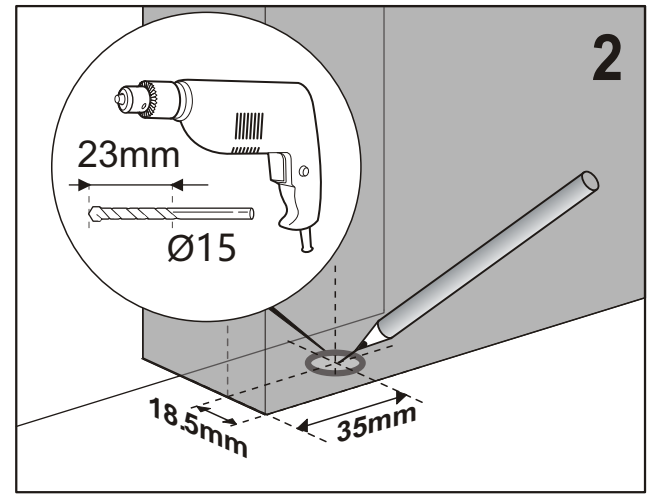
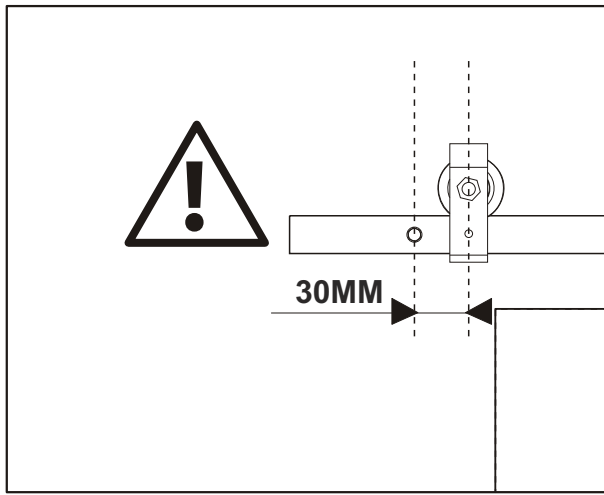
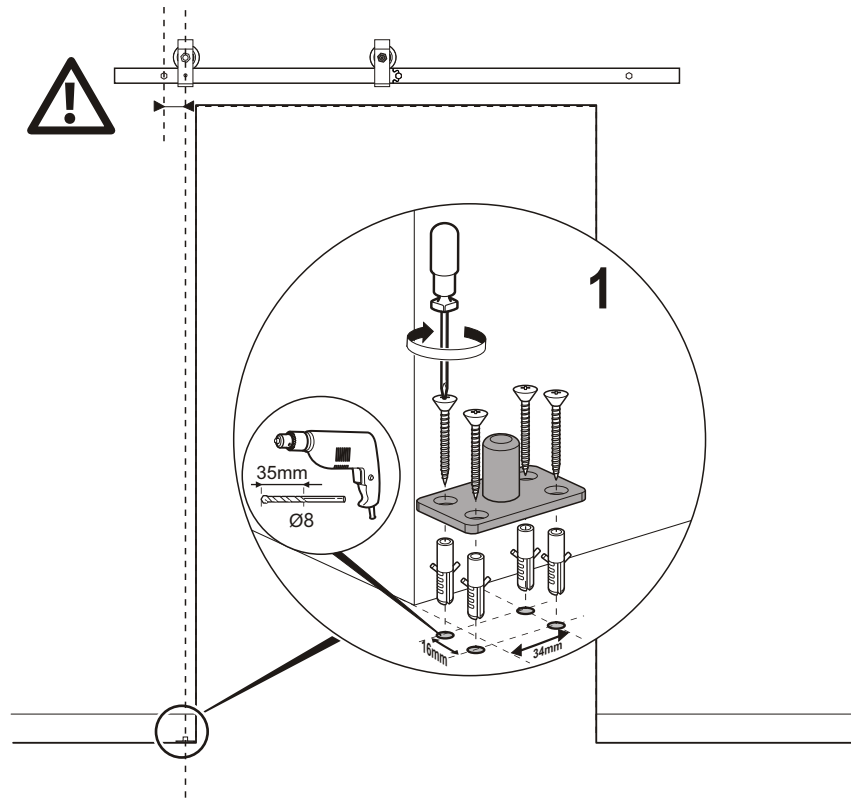
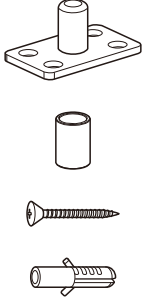
C



Installation

7

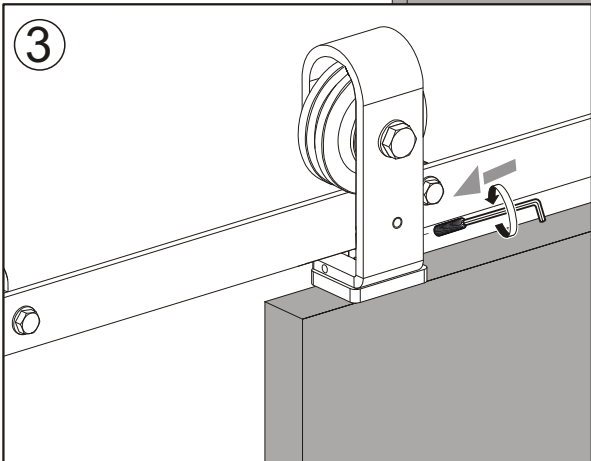
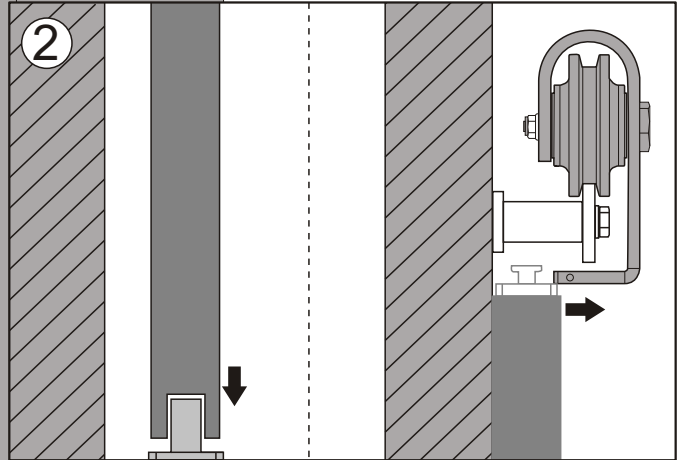
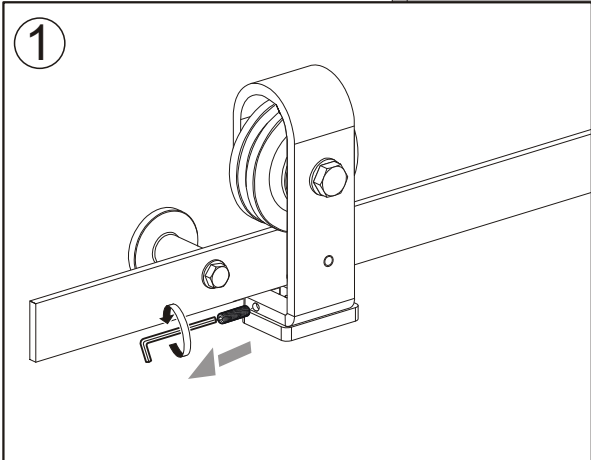
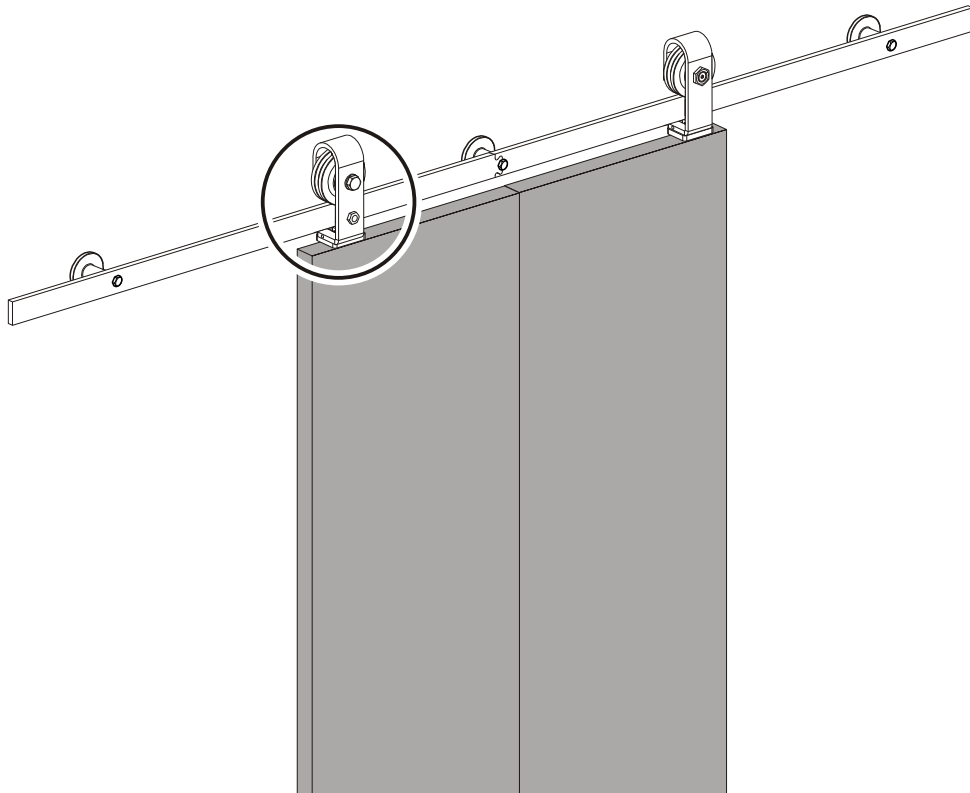
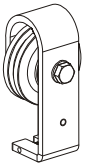
G



Installation

8

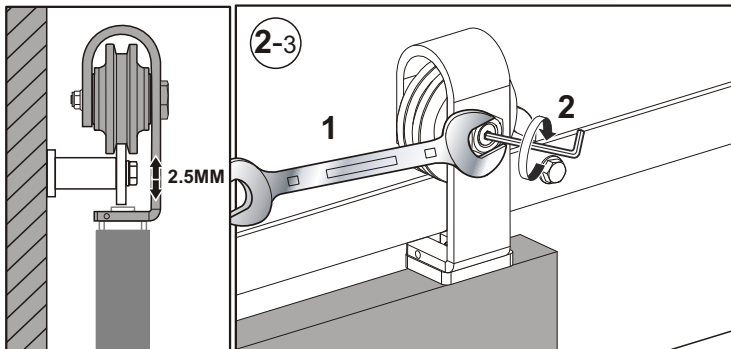
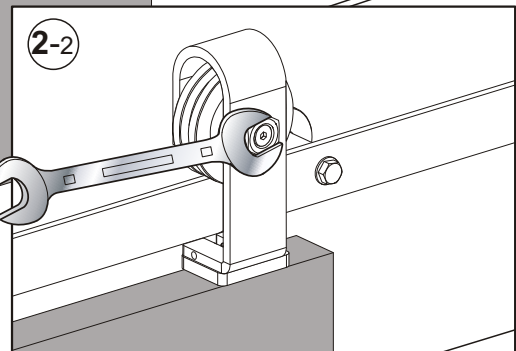
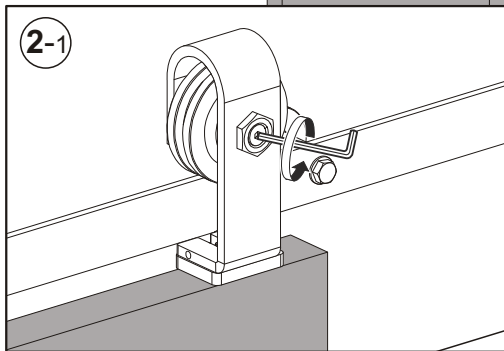
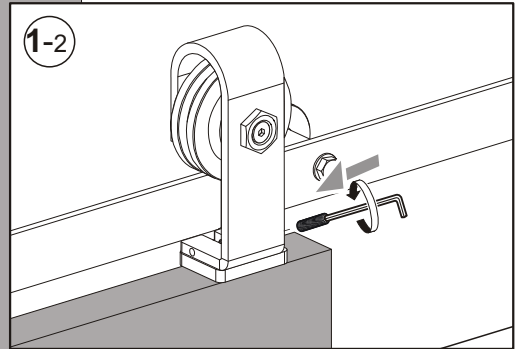
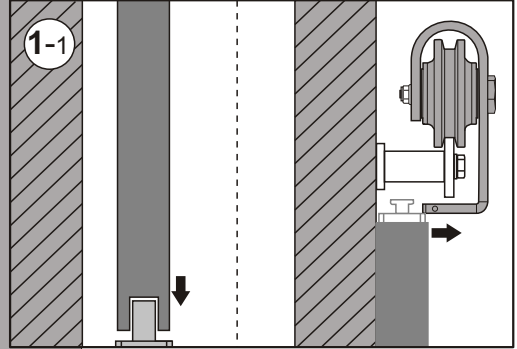
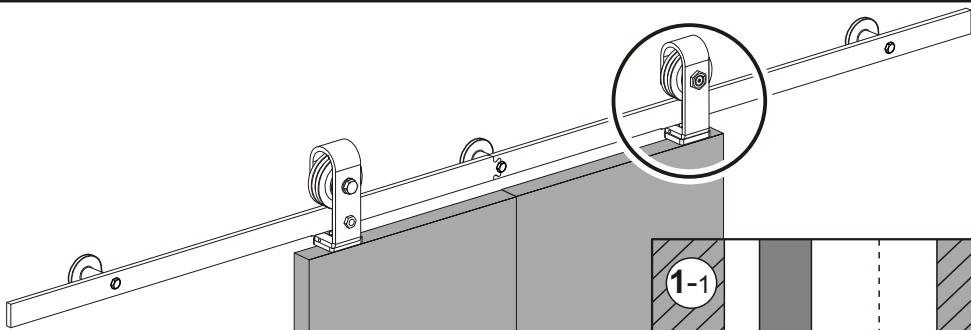
C



Installation

9

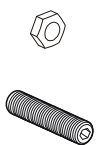
B



Installation

10

C



D

