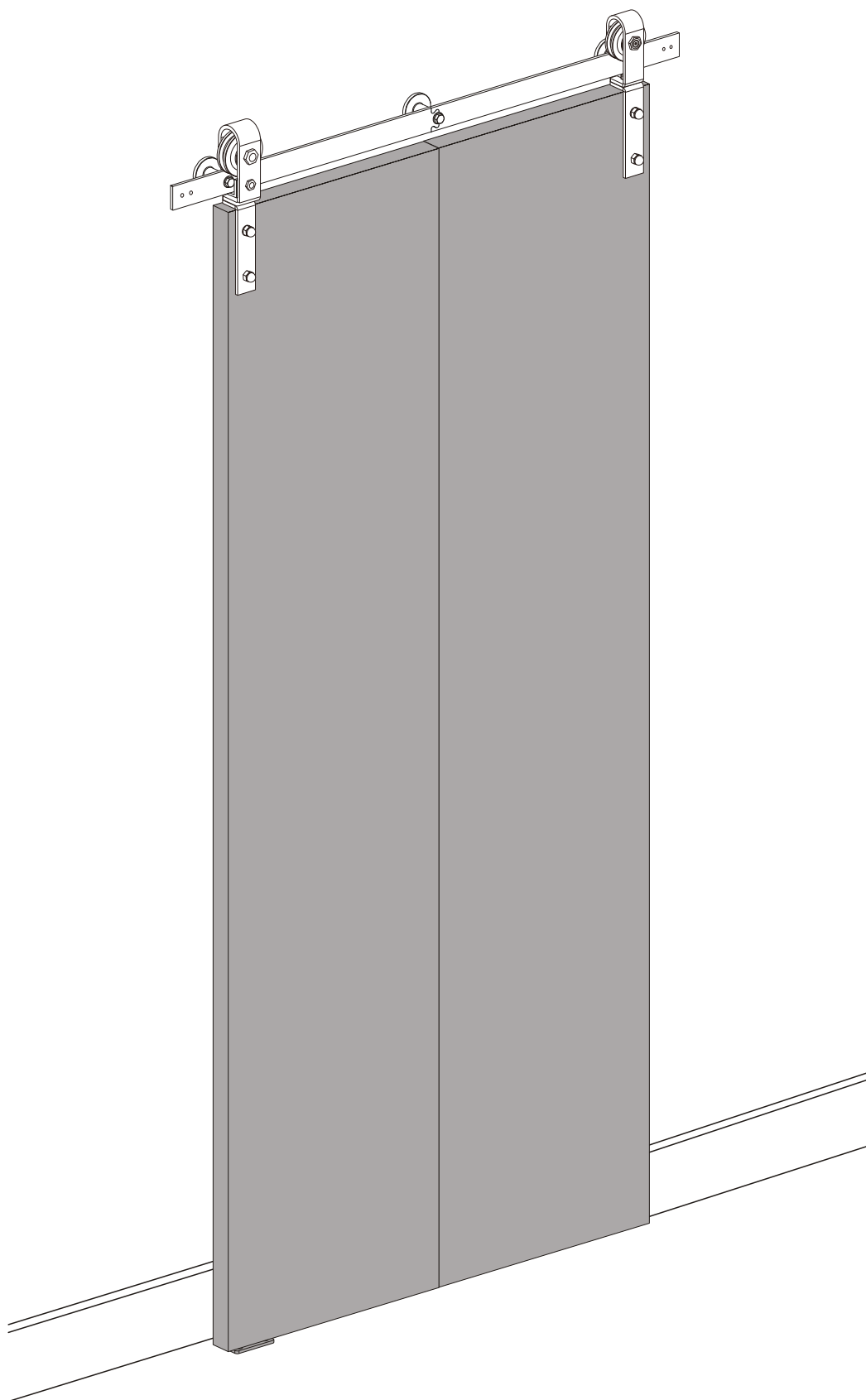
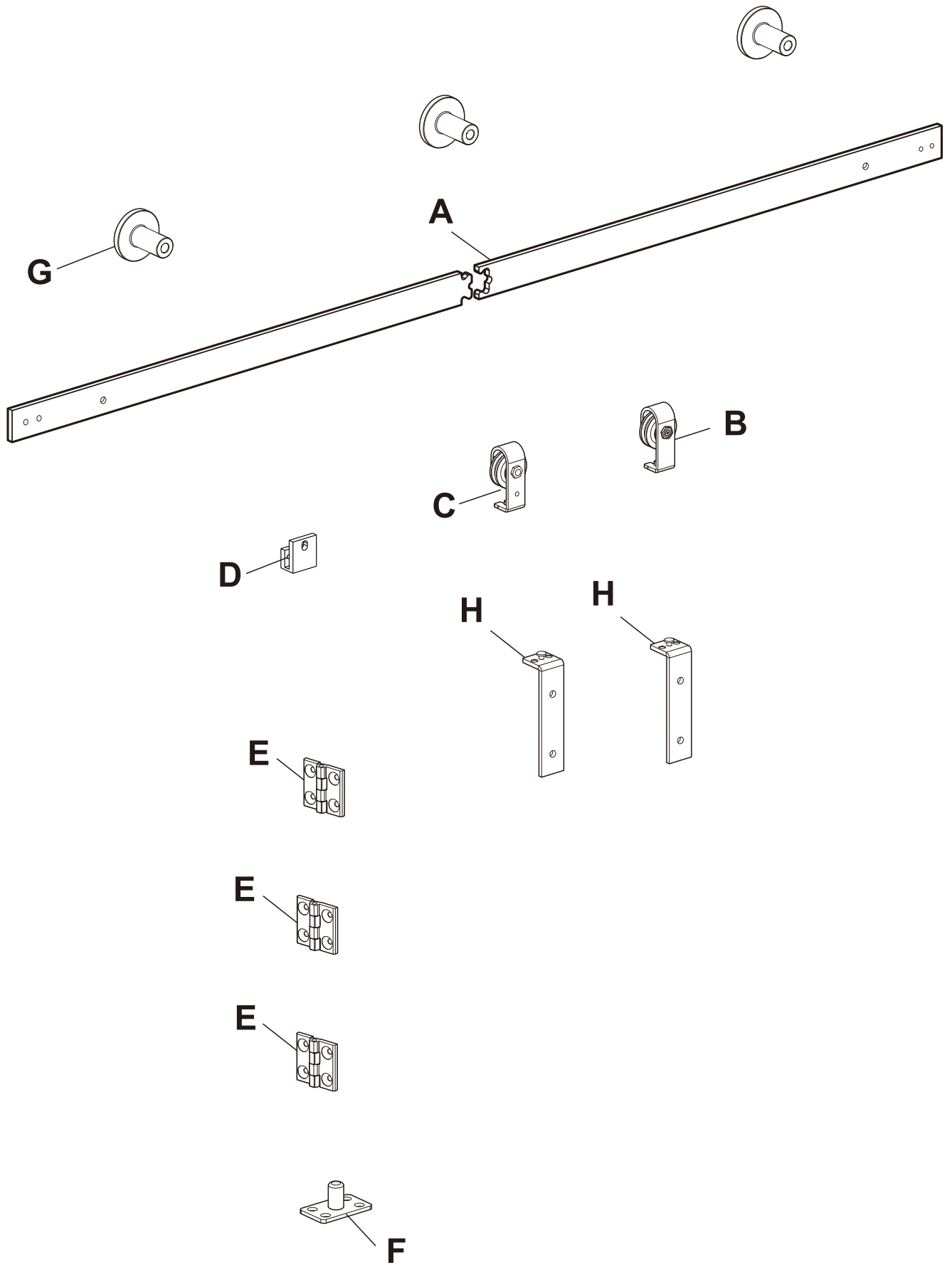


# Installation Manual for a 45cm door leaf

---

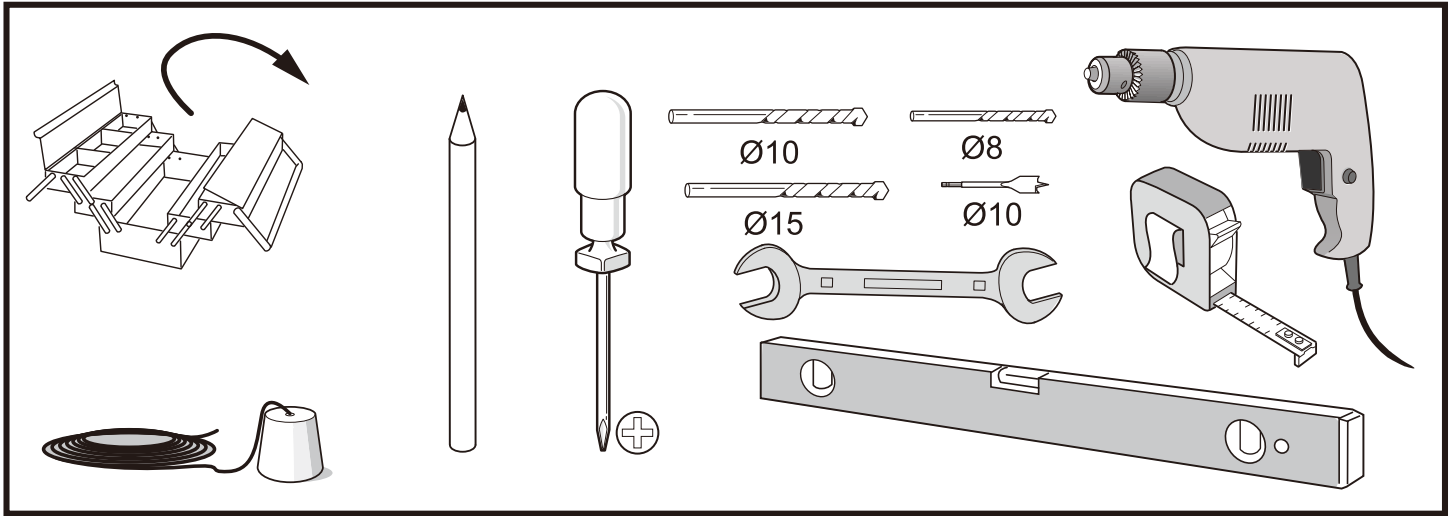


# Components list



# Pre-installation

## TOOLS REQUIRED



## HARDWARE INCLUDED

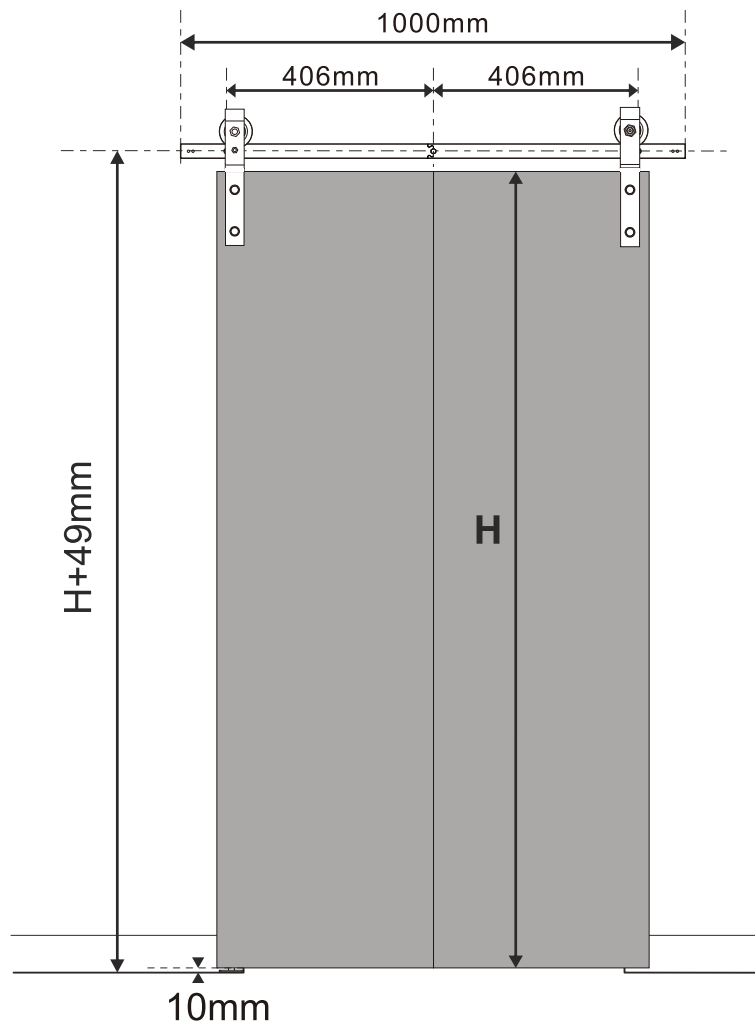
<p><b>A</b></p> <p>Ø10 (x3)</p> <p>(x3)</p> <p>ST8x90 (x3)</p>	<p>(x1)</p> <p>(x1)</p>	<p><b>B</b></p> <p>(x1)</p>	<p><b>C</b></p> <p>(x1)</p> <p>M5x26 (x1)</p> <p>(x1)</p>
<p><b>D</b></p> <p>(x1)</p> <p>M5x6(x2)</p>	<p><b>E</b></p> <p>(x3)</p> <p>ST6x25 (x12)</p>	<p><b>F</b></p> <p>(x1)</p> <p>(x1)</p> <p>Ø8(x4)</p> <p>ST4.2X32(x4)</p>	
<p><b>G</b></p> <p>(x3)</p>	<p><b>H</b></p> <p>(x2)</p>	<p>(x1)</p>	

M 10x55 (x4)  
bolts for 35-40mm door

M10x60 (x4)  
bolts for 40-45mm door

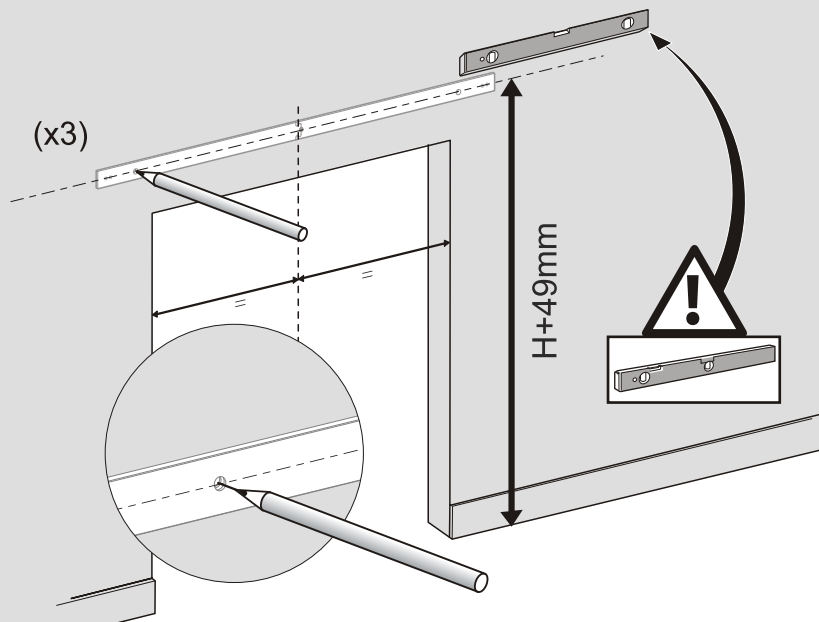
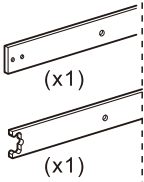
ST4.8X50  
(x4)

# Installation



1

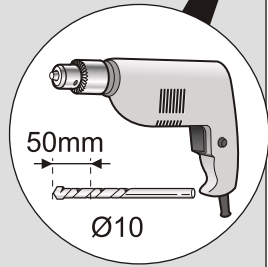
A



# Installation

2

(x3)

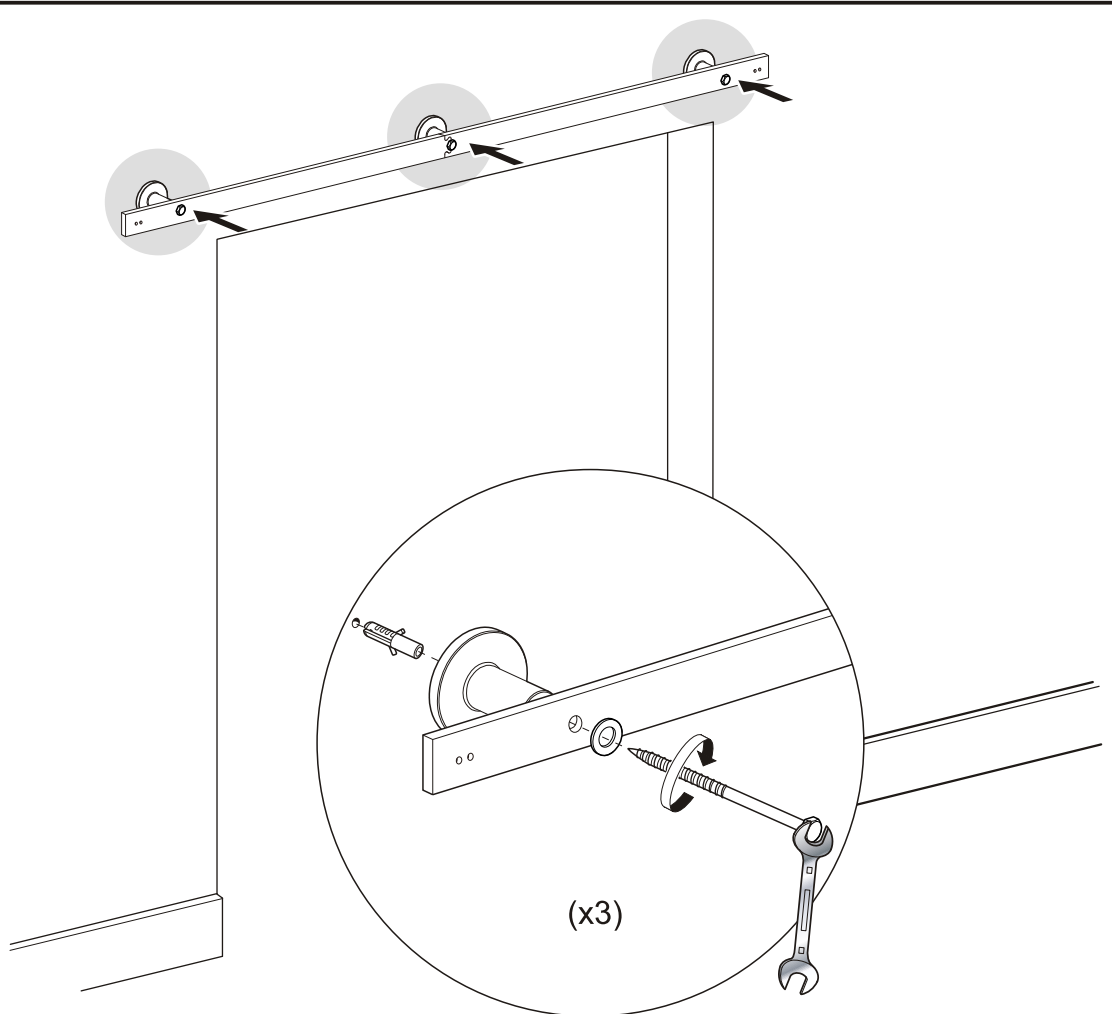
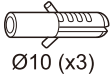
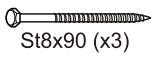


3

G



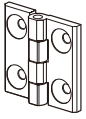
A



# Installation

4

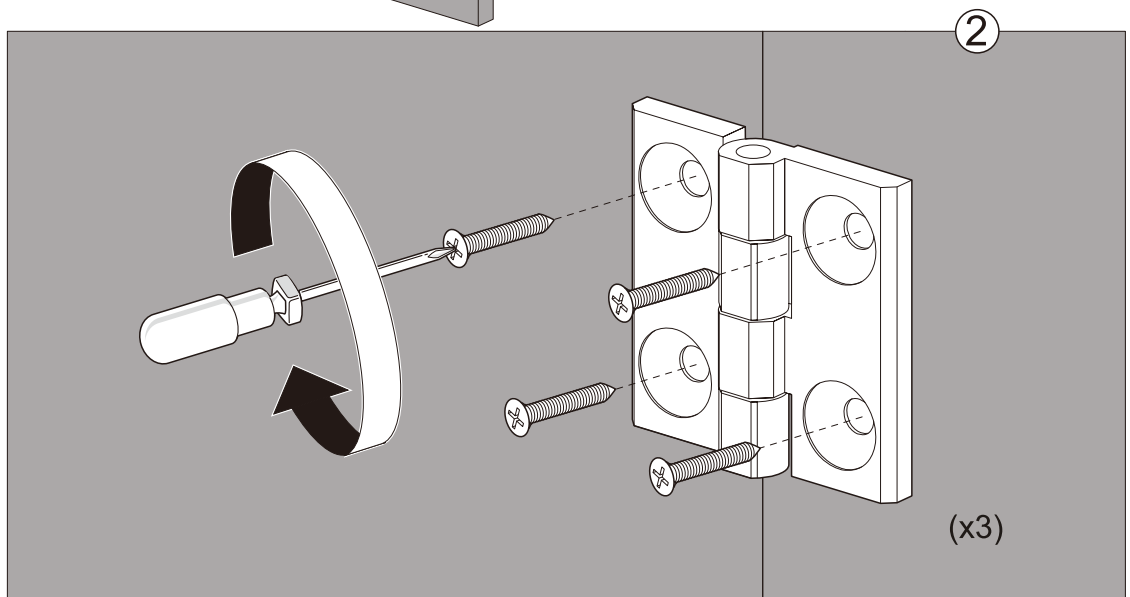
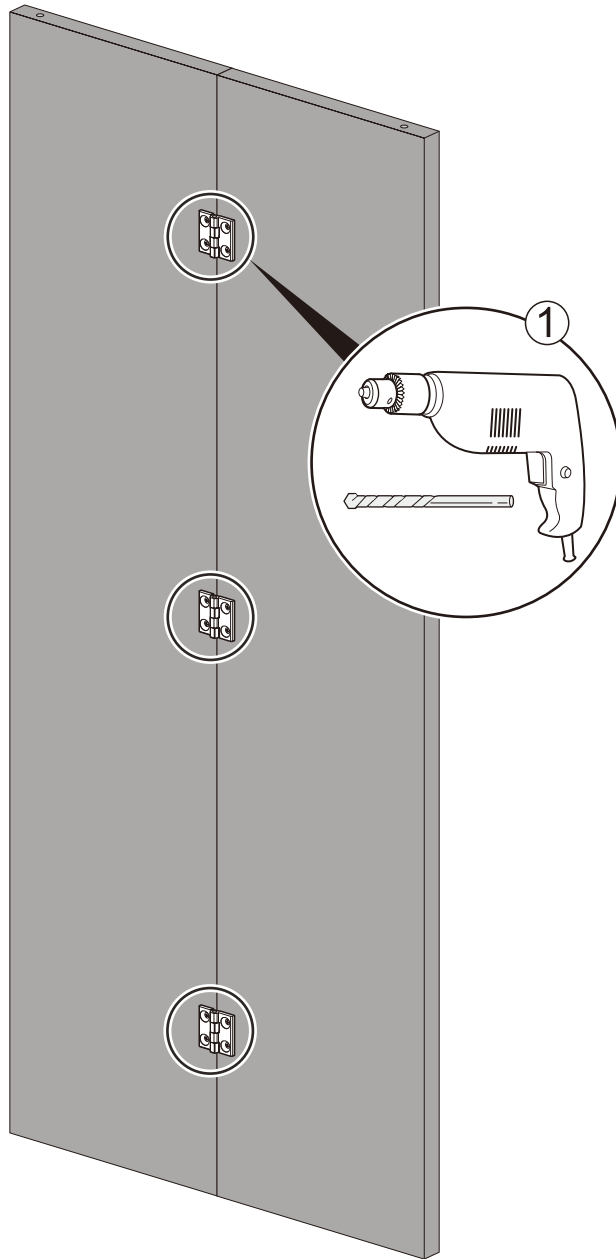
E



(x3)



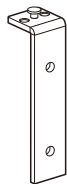
ST6x25 (x12)



# Installation

**5**

H



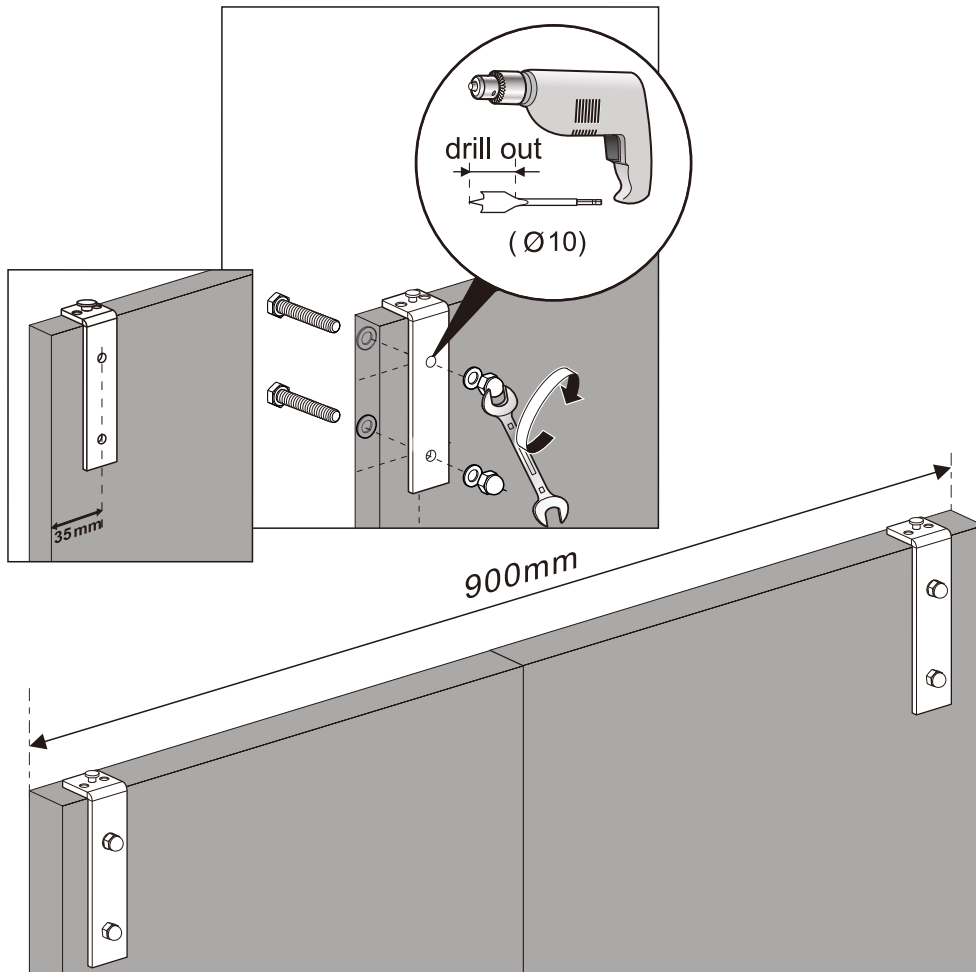
(x2)



M10x55 (x4)  
bolts for 35-40mm door



M10x60 (x4)  
bolts for 40-45mm door



**6**

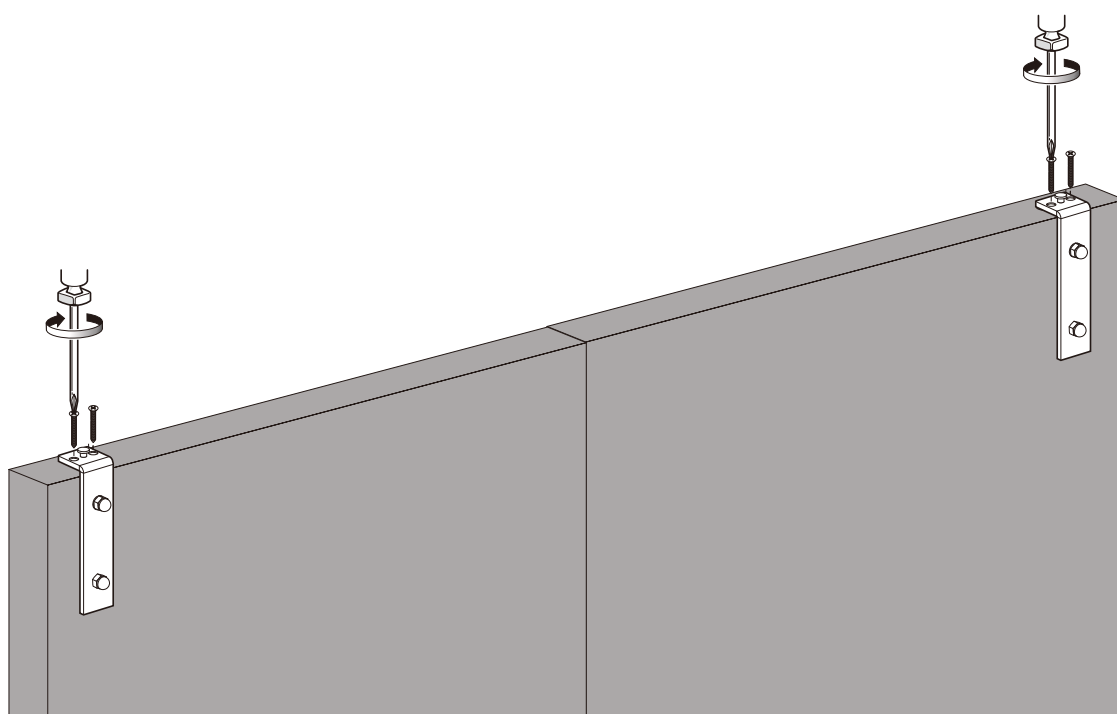
H



(x2)



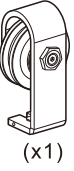
ST4.8X50  
(x4)



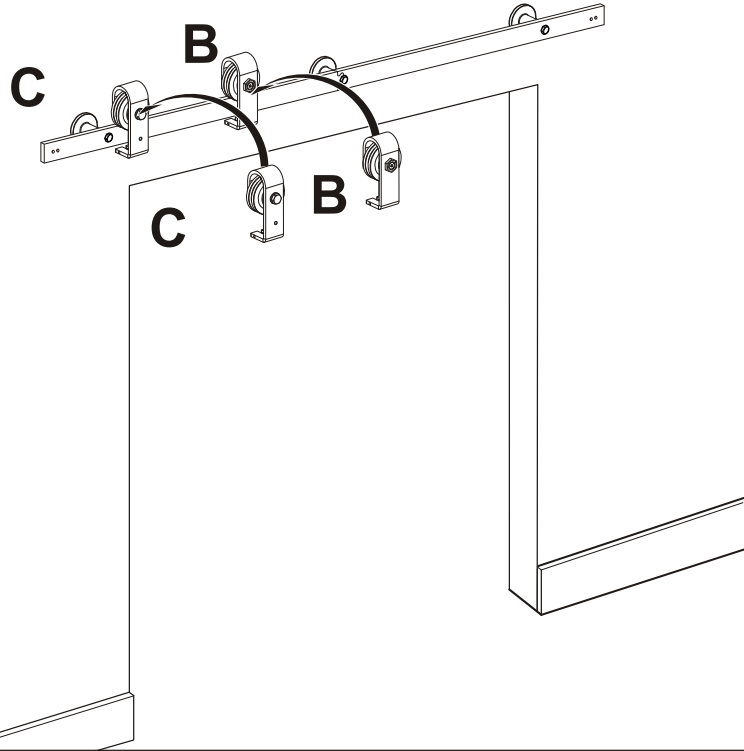
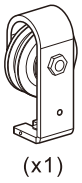
# Installation

7

B

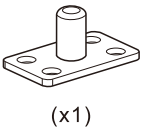


C



8

F



(x1)



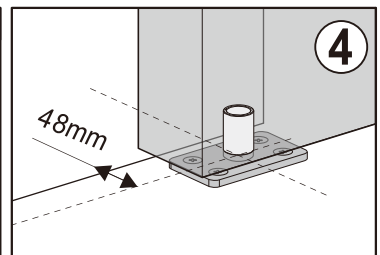
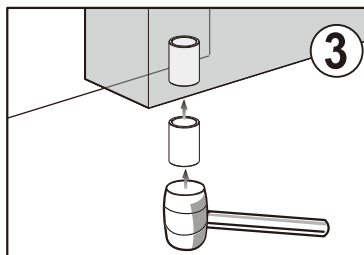
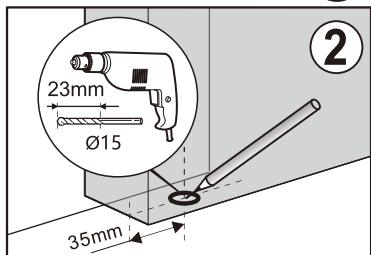
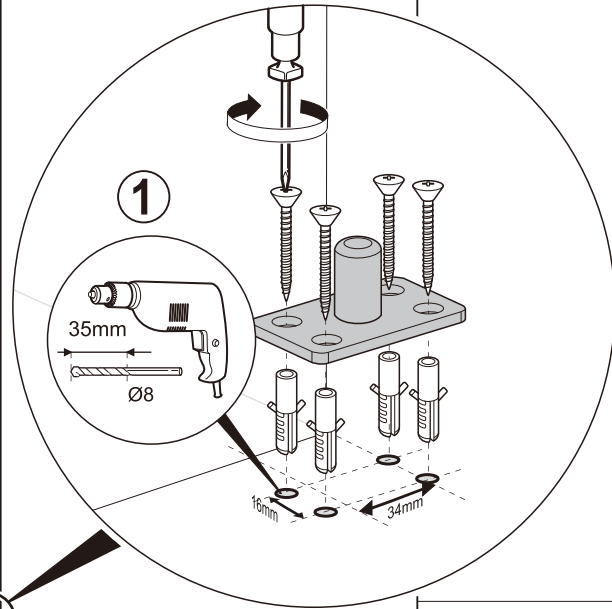
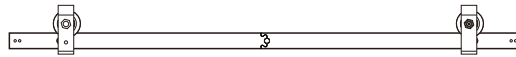
(x1)



ST4.2x32 (x4)



Ø8 (x4)



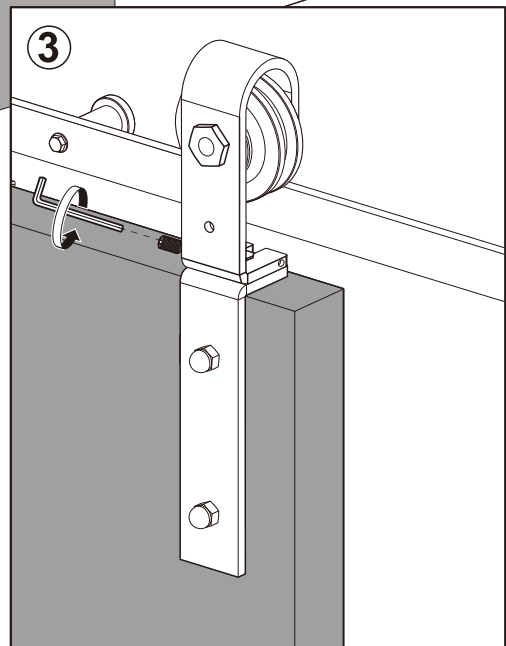
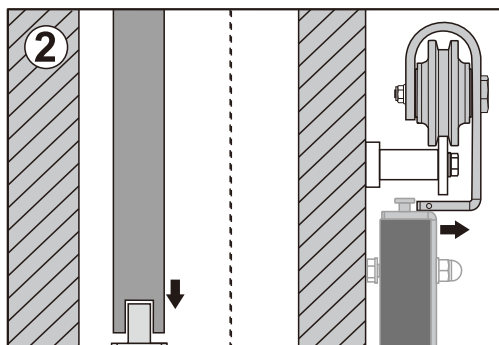
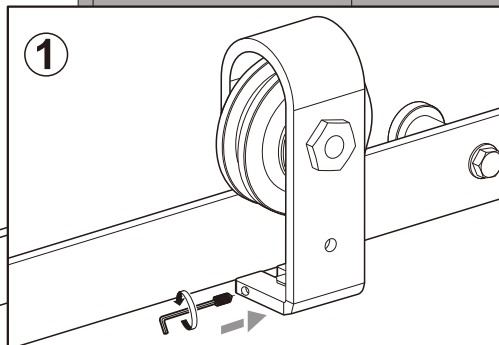
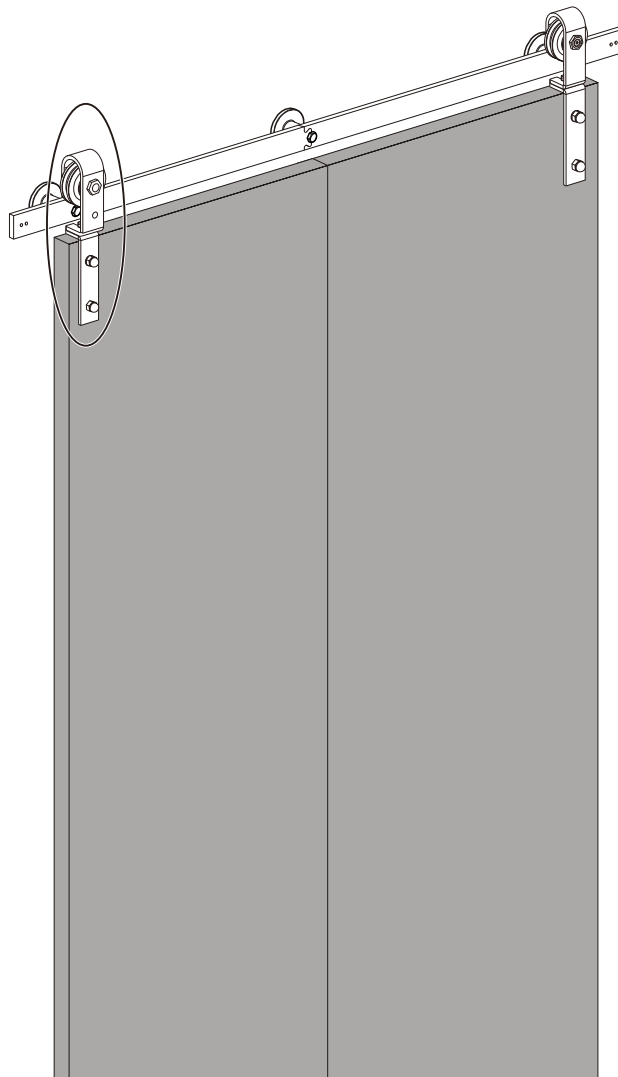
# Installation

9

C



(x1)



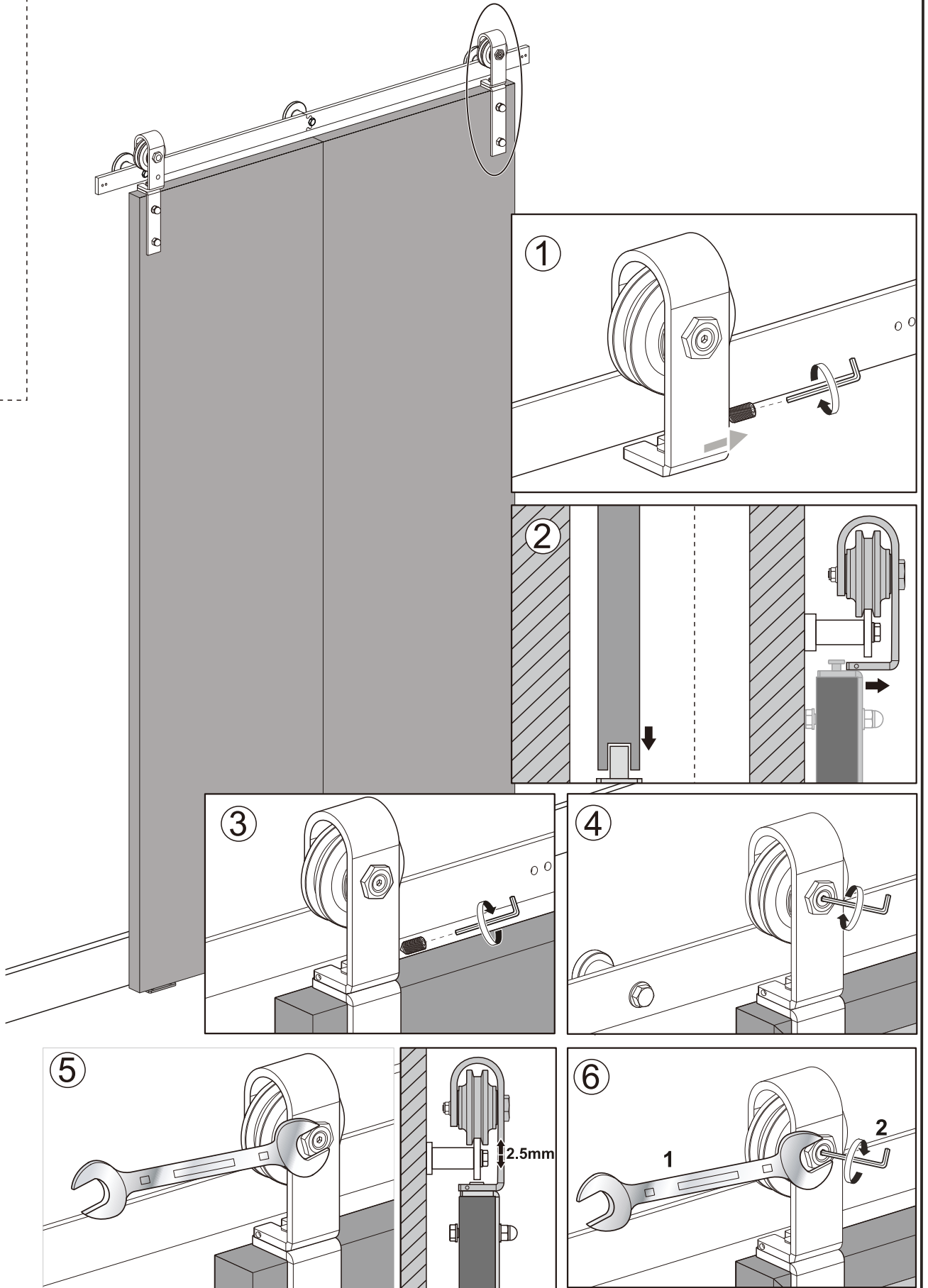
# Installation

10

B



(x1)



# Installation

11

C

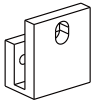


(x1)



M5x26 (x1)

D



(x1)



M5x6 (x2)

