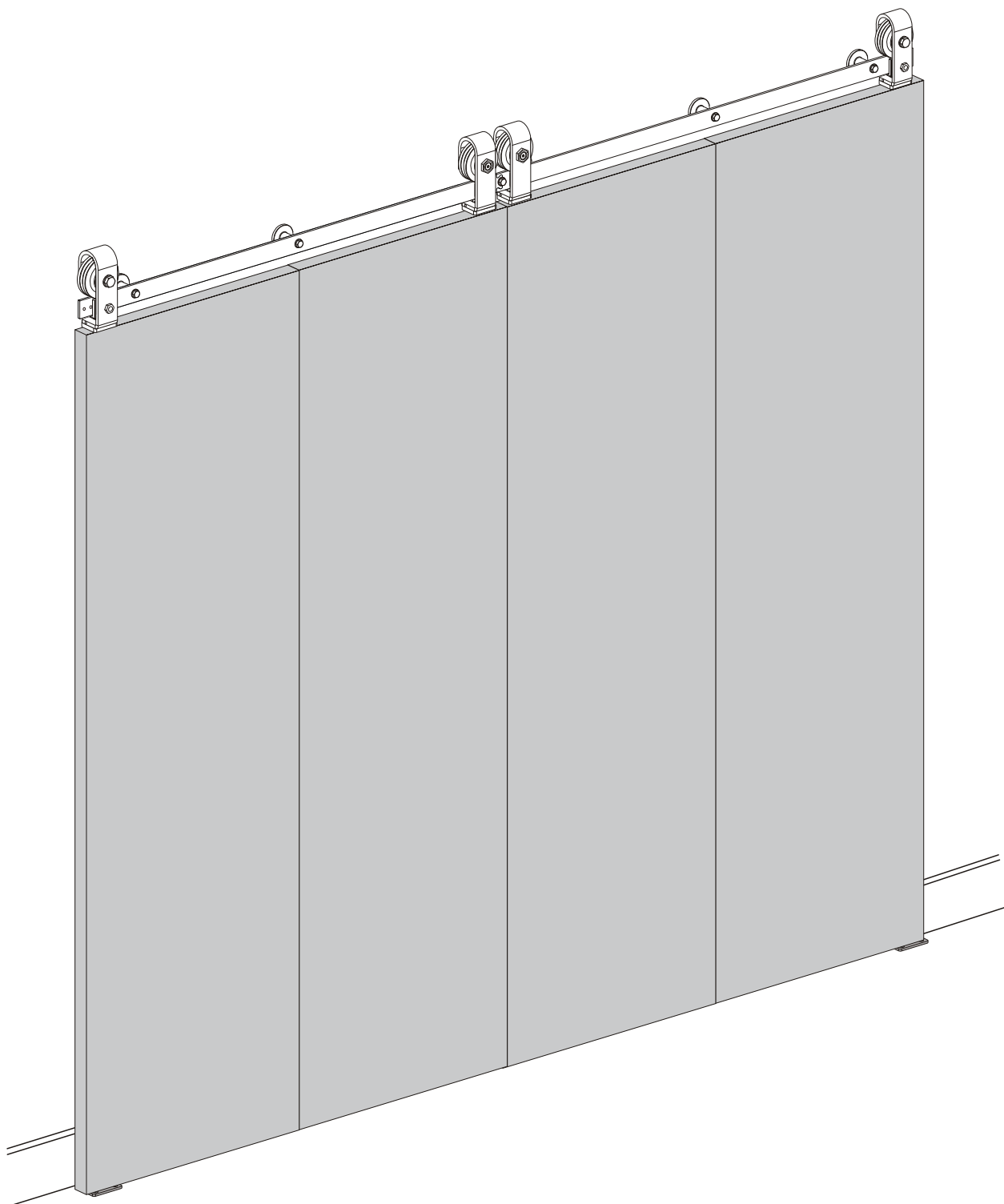
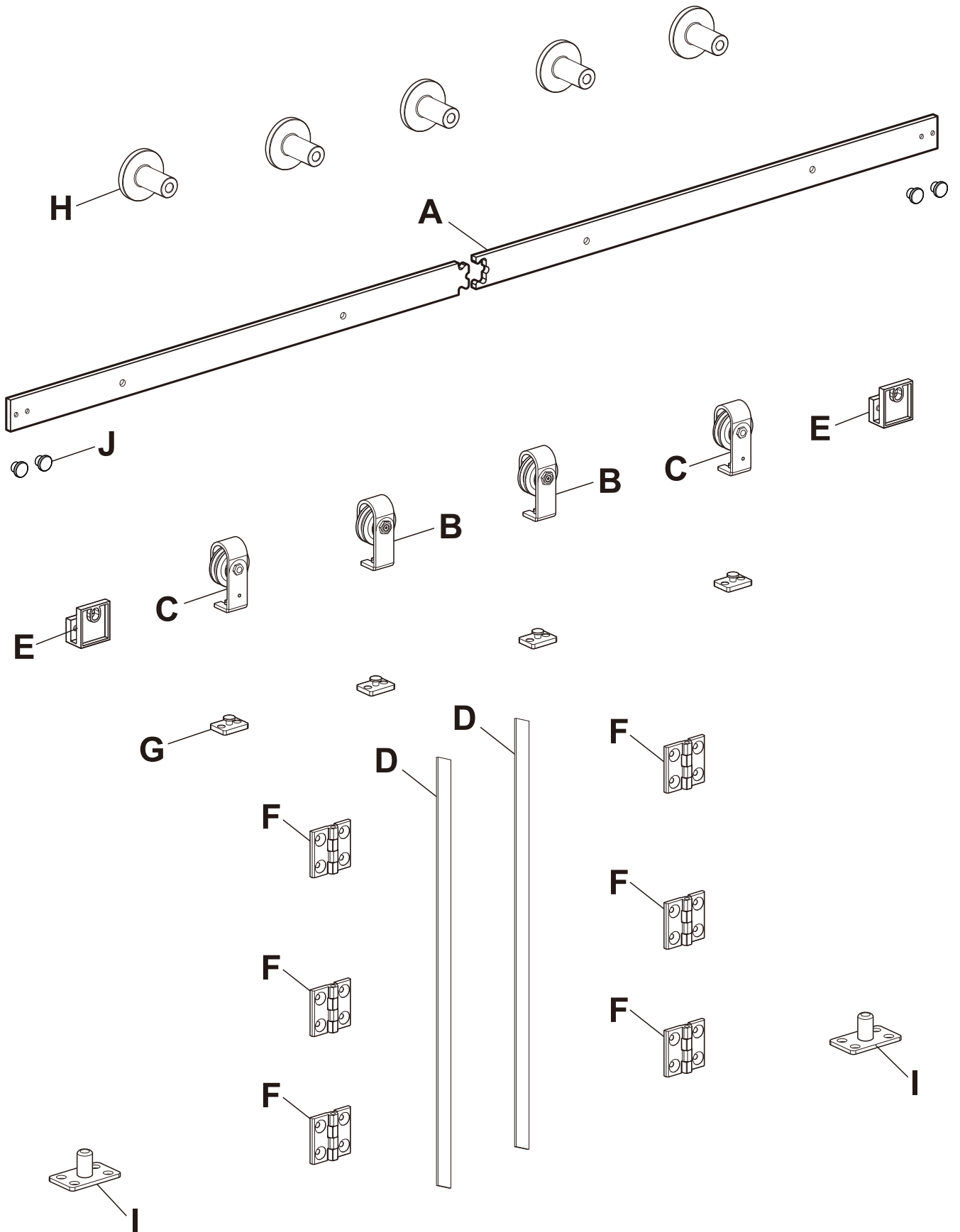


Installation Manual for a 50cm door leaf

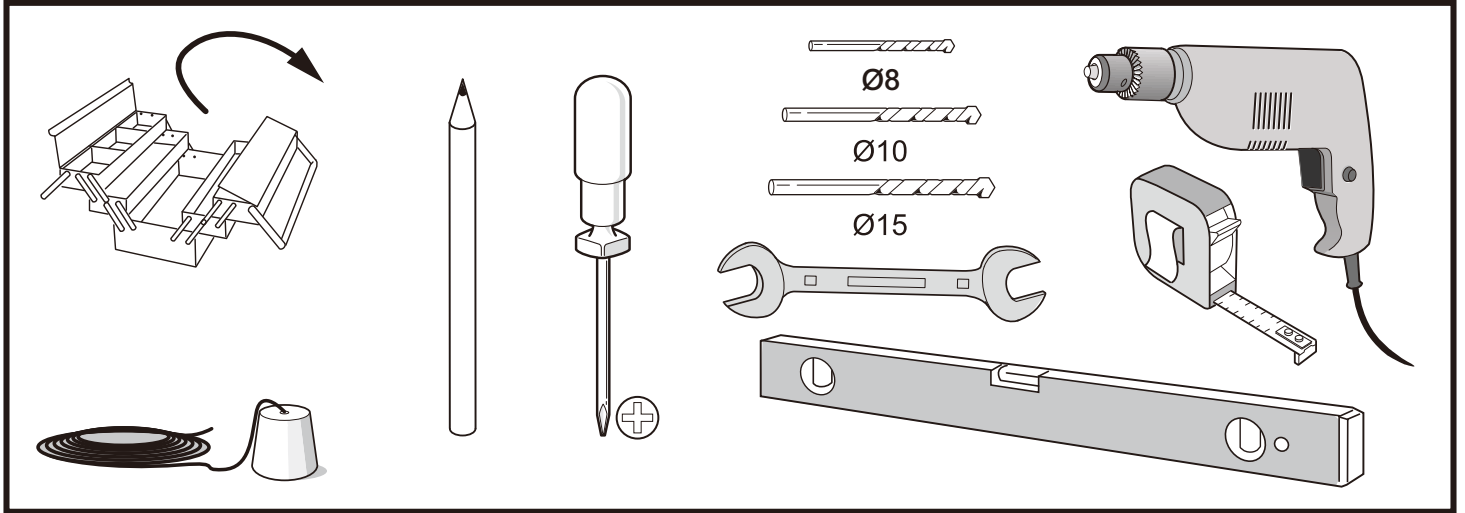


Components list



Pre-installation

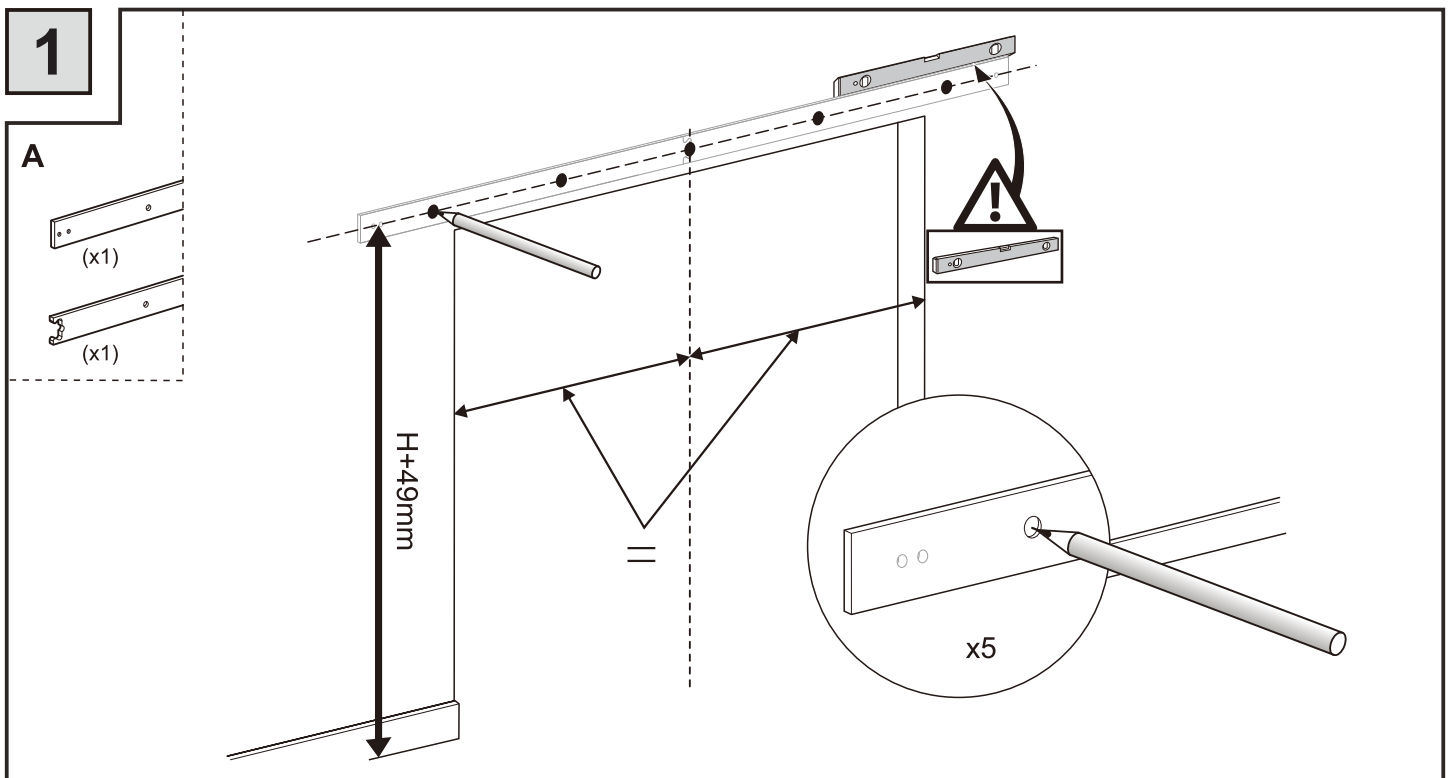
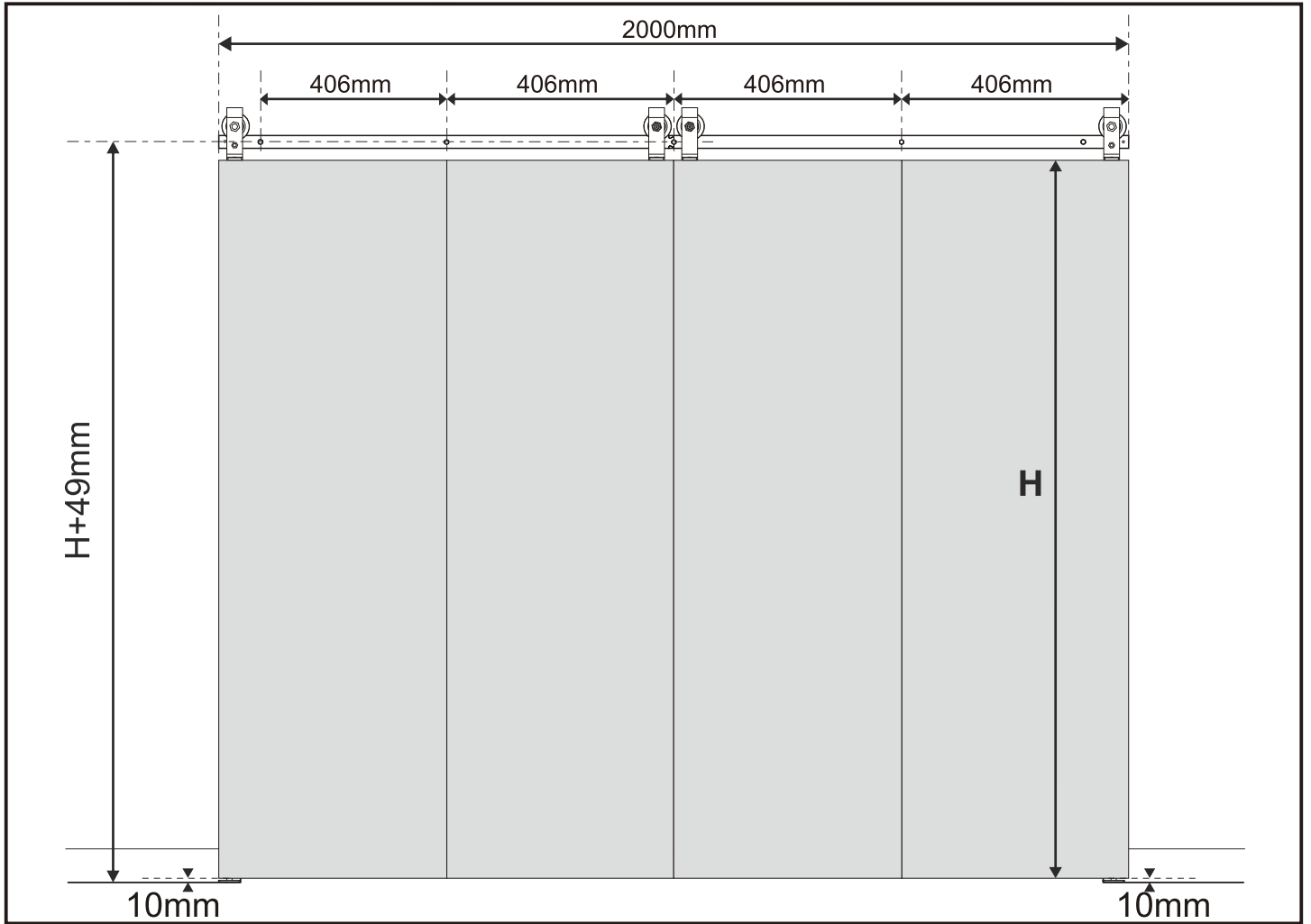
TOOLS REQUIRED



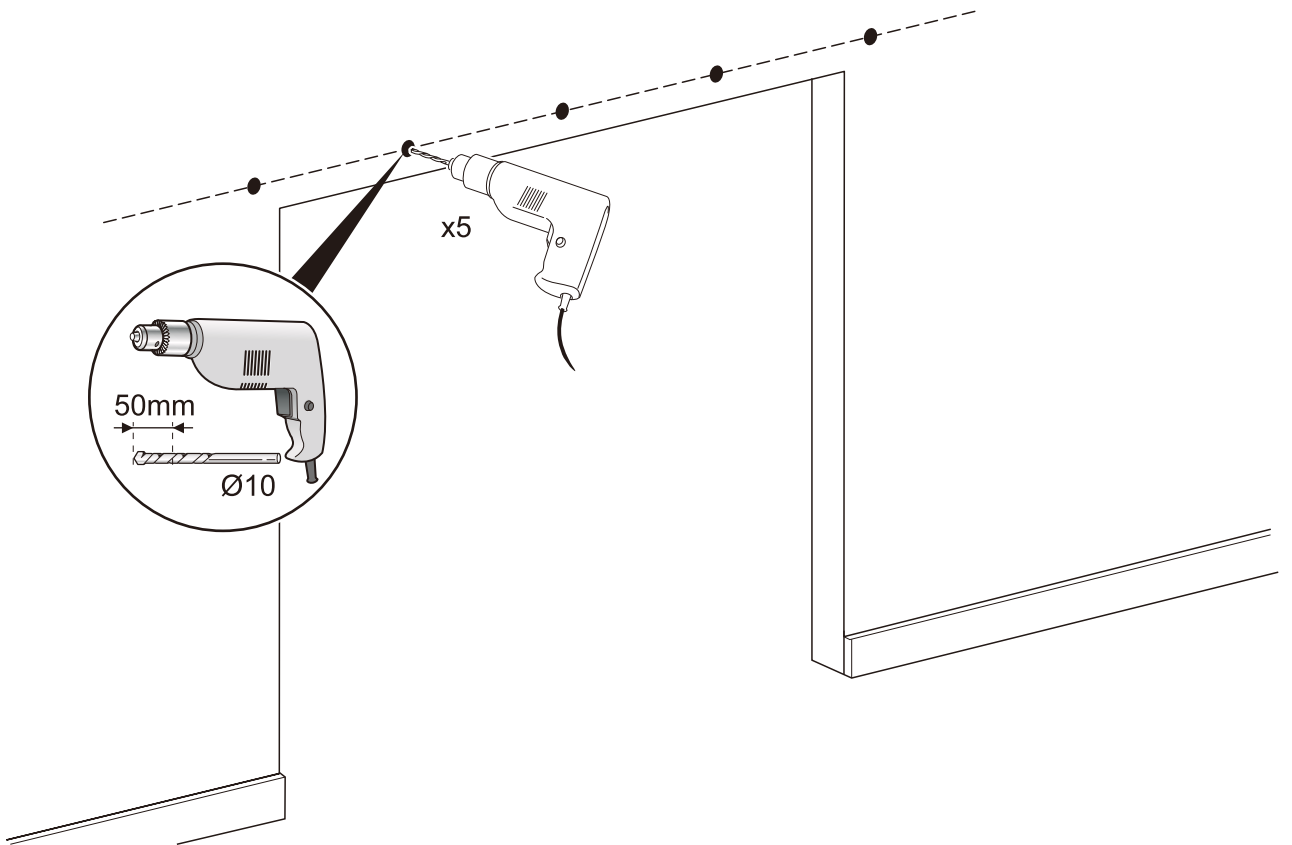
HARDWARE INCLUDED

<p>A</p> <p>(x1)</p> <p>(x1)</p>	<p>B</p> <p>(x2)</p>	<p>C</p> <p>(x2)</p> <p>(x2)</p> <p>M5x26 (x2)</p>	<p>D</p> <p>(x2)</p>
<p>E</p> <p>M5x6 (x4)</p> <p>(x2)</p>	<p>F</p> <p>ST6x25(x24) Wooden Door</p> <p>M6x12(x24) Steel Frame Door</p> <p>(x6)</p>	<p>G</p> <p>ST4.8x50 (x8) Wooden Door</p> <p>M5x14(x8) Steel Frame Door</p> <p>(x4)</p>	<p>H</p> <p>(x5)</p>
<p>I</p> <p>(x2)</p> <p>(x2)</p> <p>Ø8 (x8)</p> <p>ST4.2x32 (x8)</p>	<p>J</p> <p>Ø10 (x5)</p> <p>(x4)</p> <p>(x5)</p> <p>M8x90 (x5)</p>	<p>K</p> <p>(x1)</p>	

Installation



2



3

H



(x5)

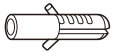
J



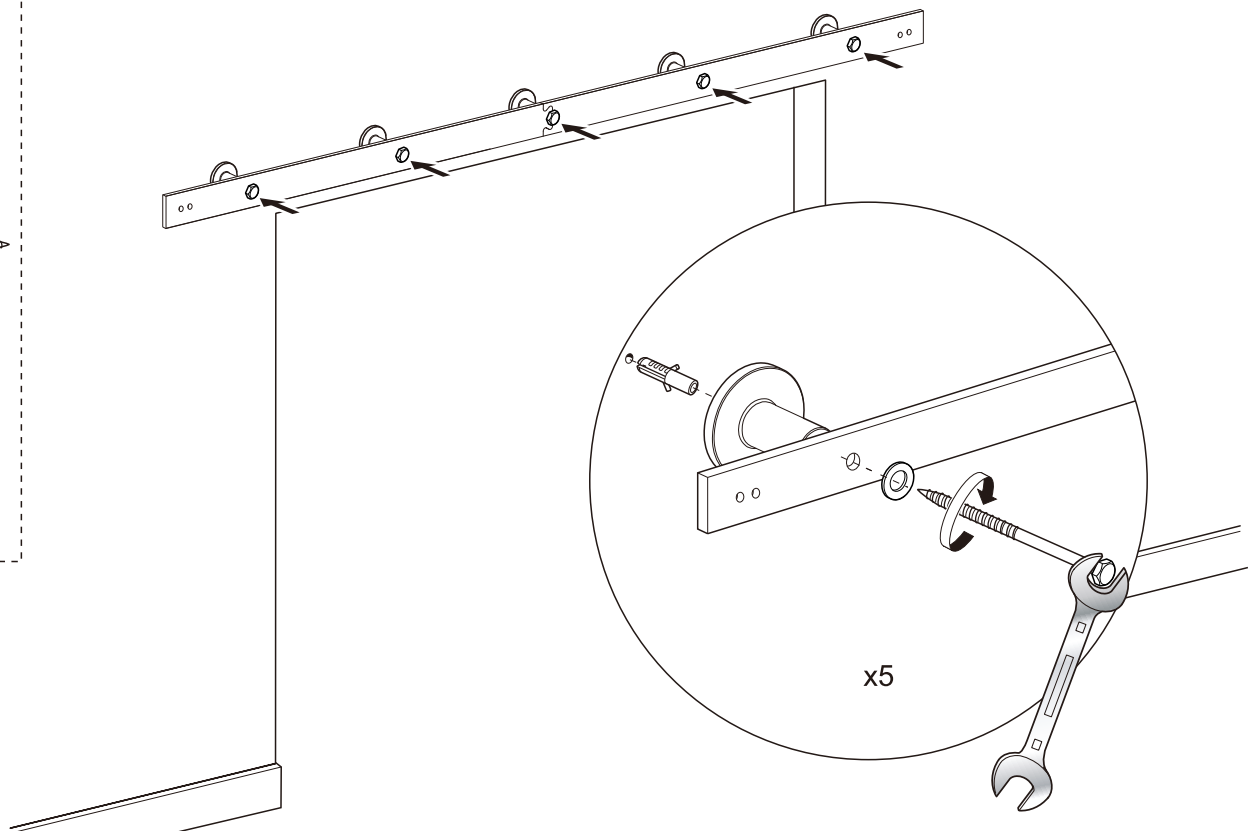
St8x90 (x5)



(x5)

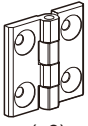


Ø10 (x5)



4

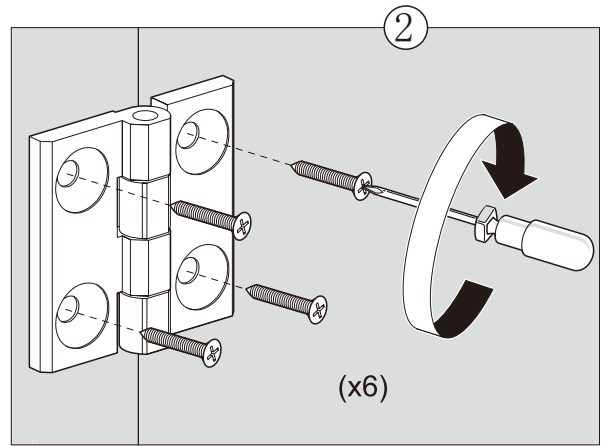
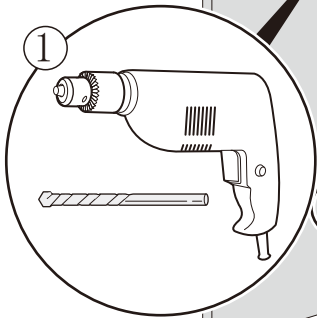
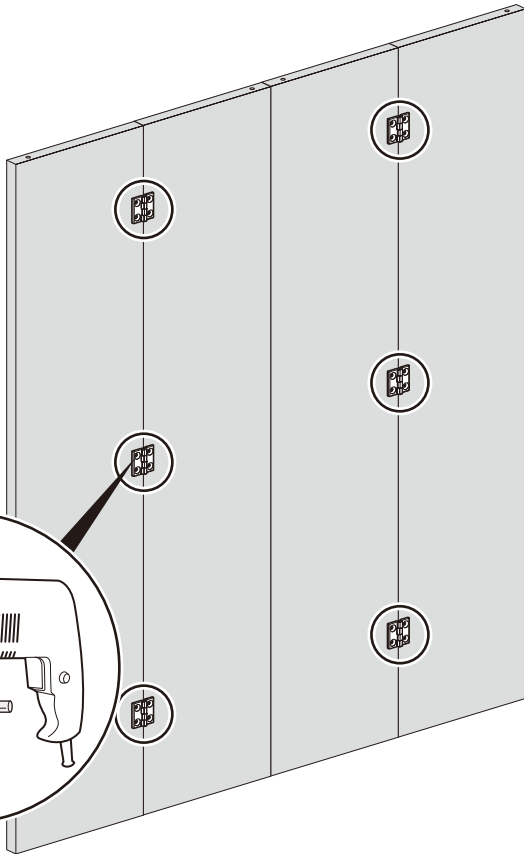
F



(x6)

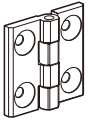


ST6x25 (x24)
Wooden Door



4

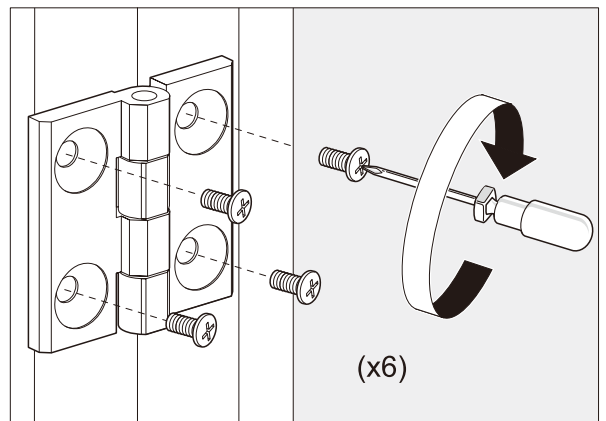
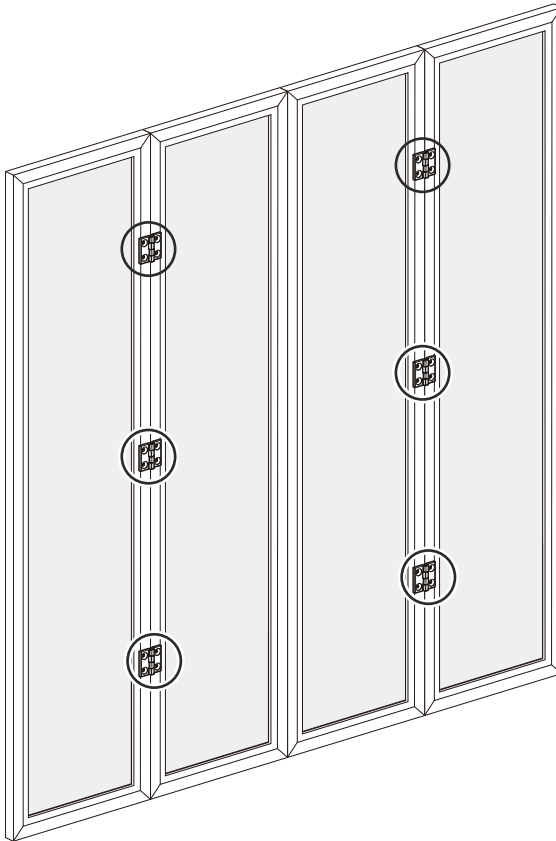
F



(x6)

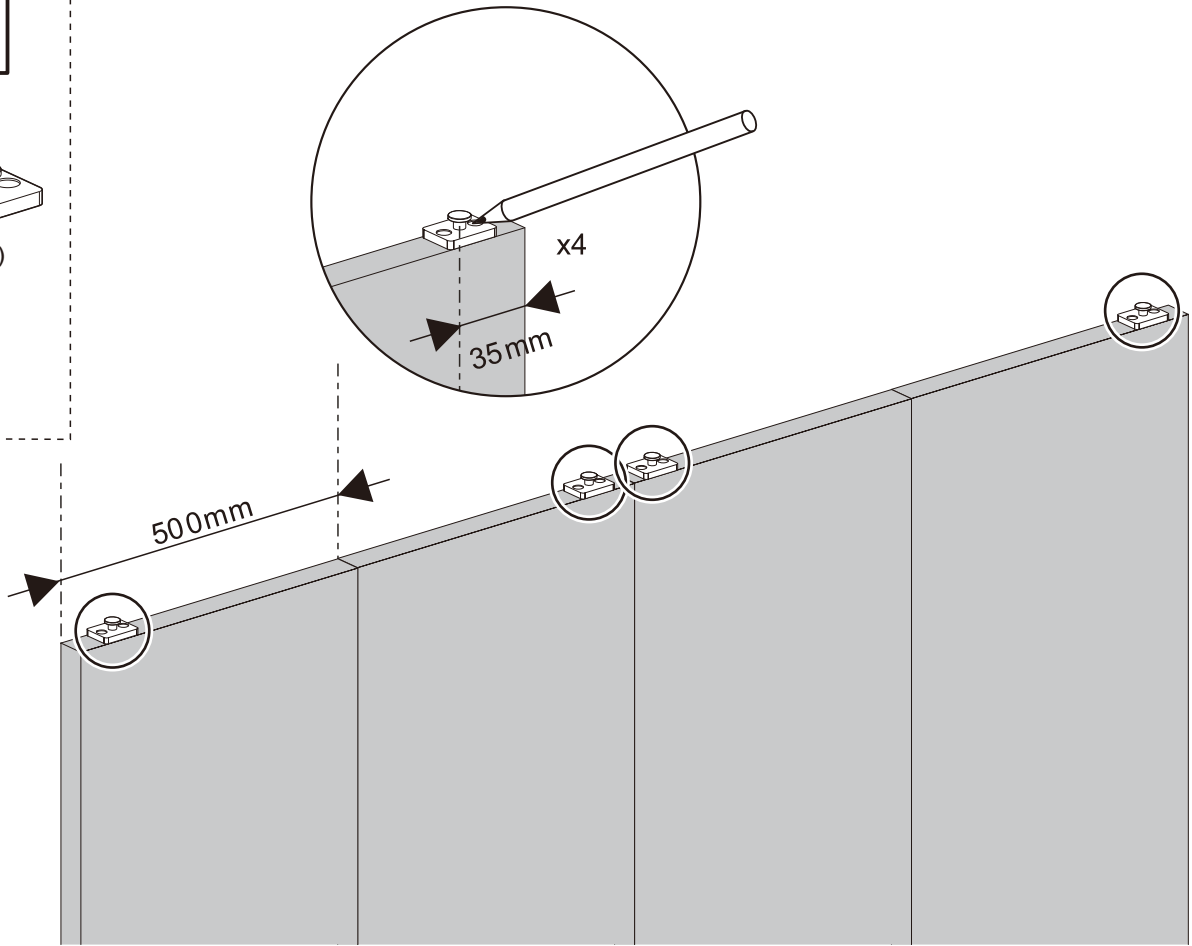
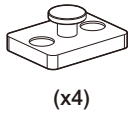


M6x12(x24)
Steel Frame Door



5

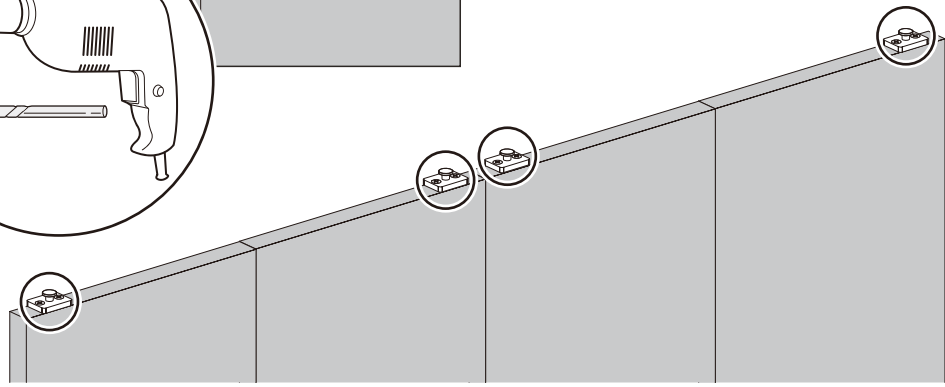
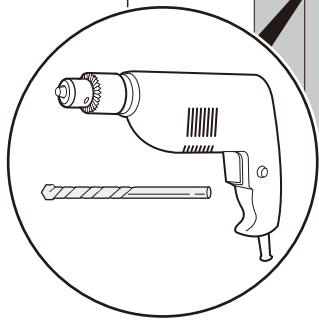
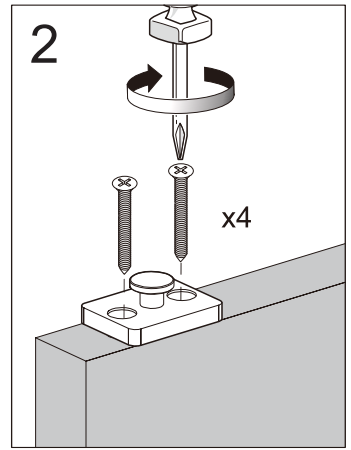
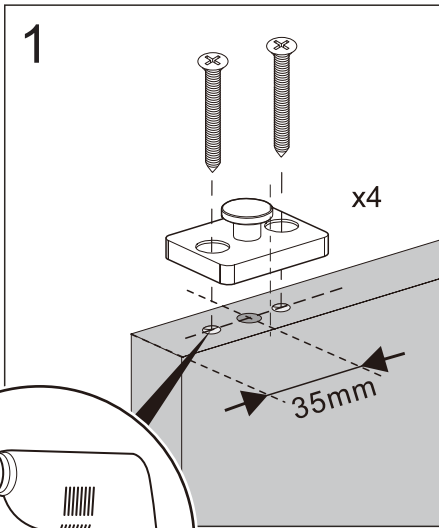
G



6

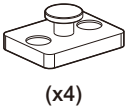
G

ST4.8x50 (x8)
Wooden Door



7

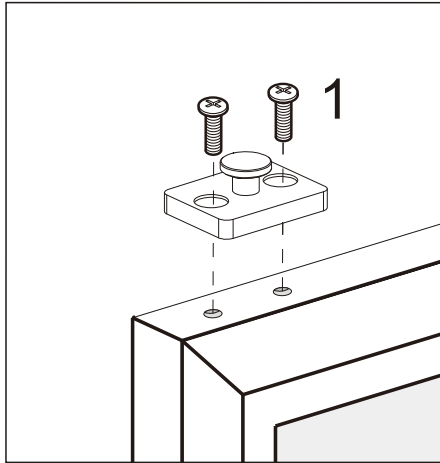
E



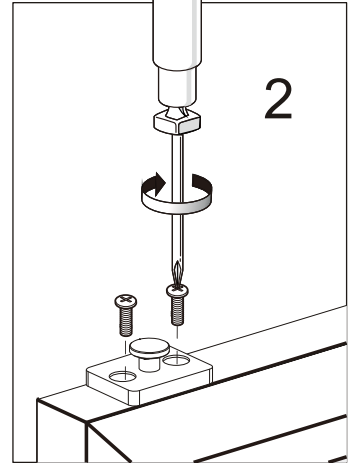
(x4)



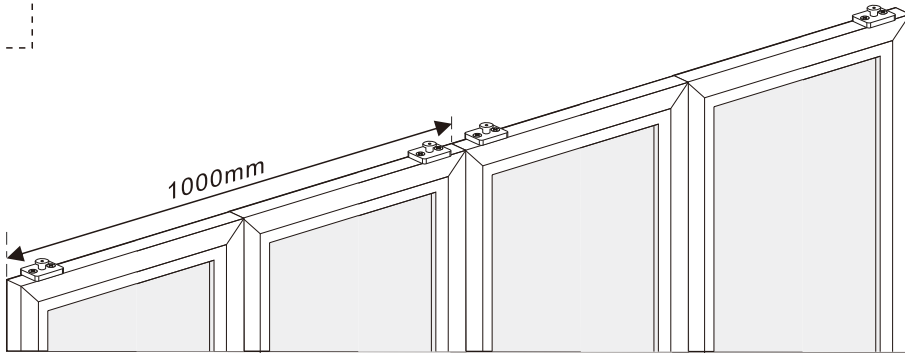
M5x14(x8)
Steel Frame Door



1



2



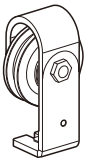
8

B

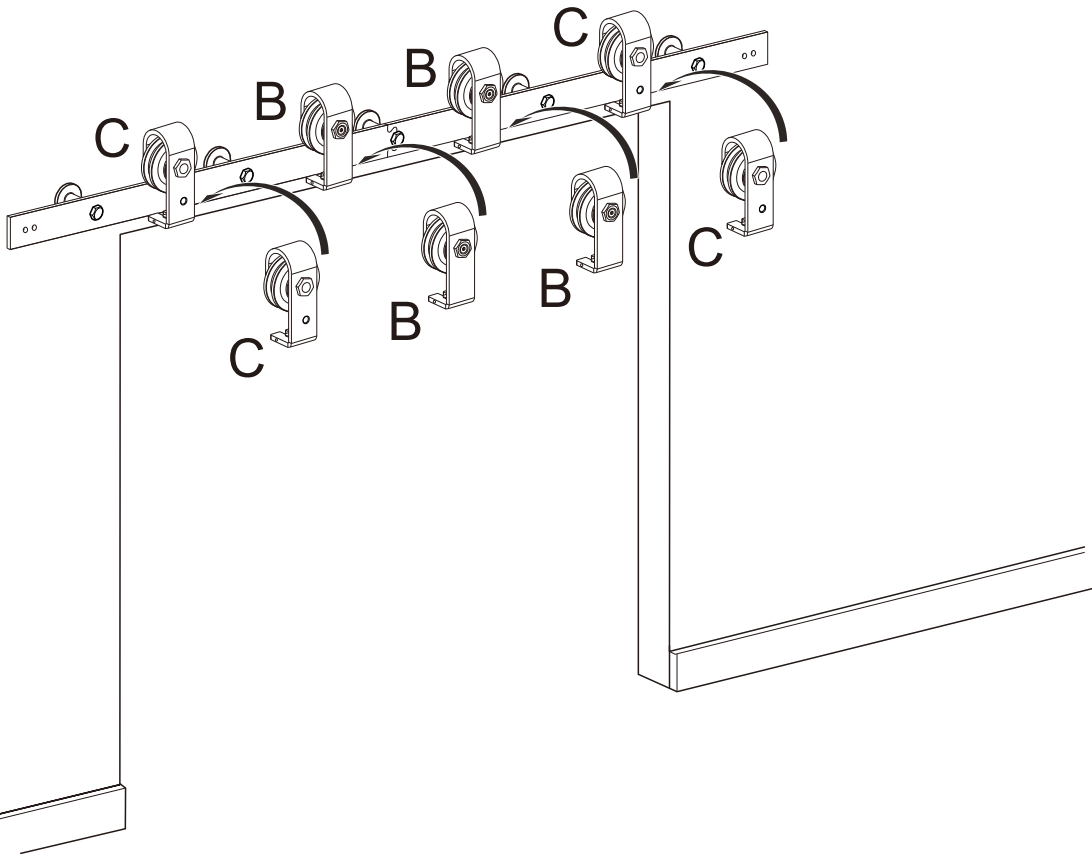


(x2)

C



(x2)



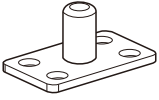
Installation on wooden door

9

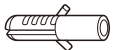
F



(x2)



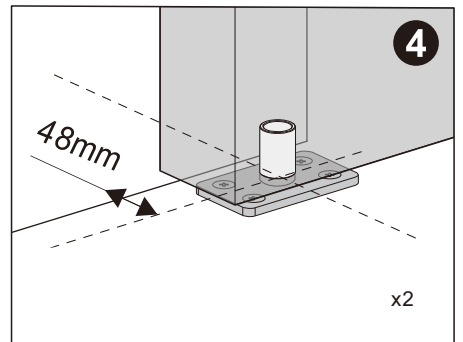
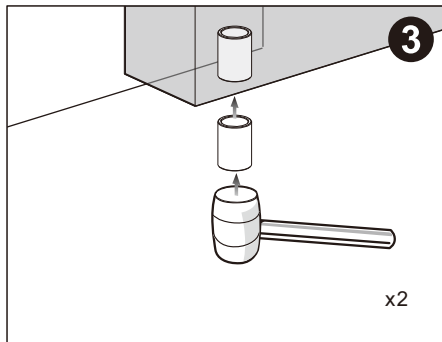
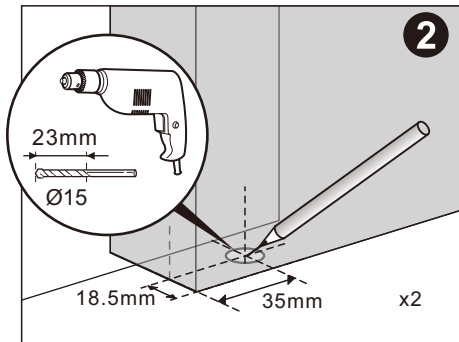
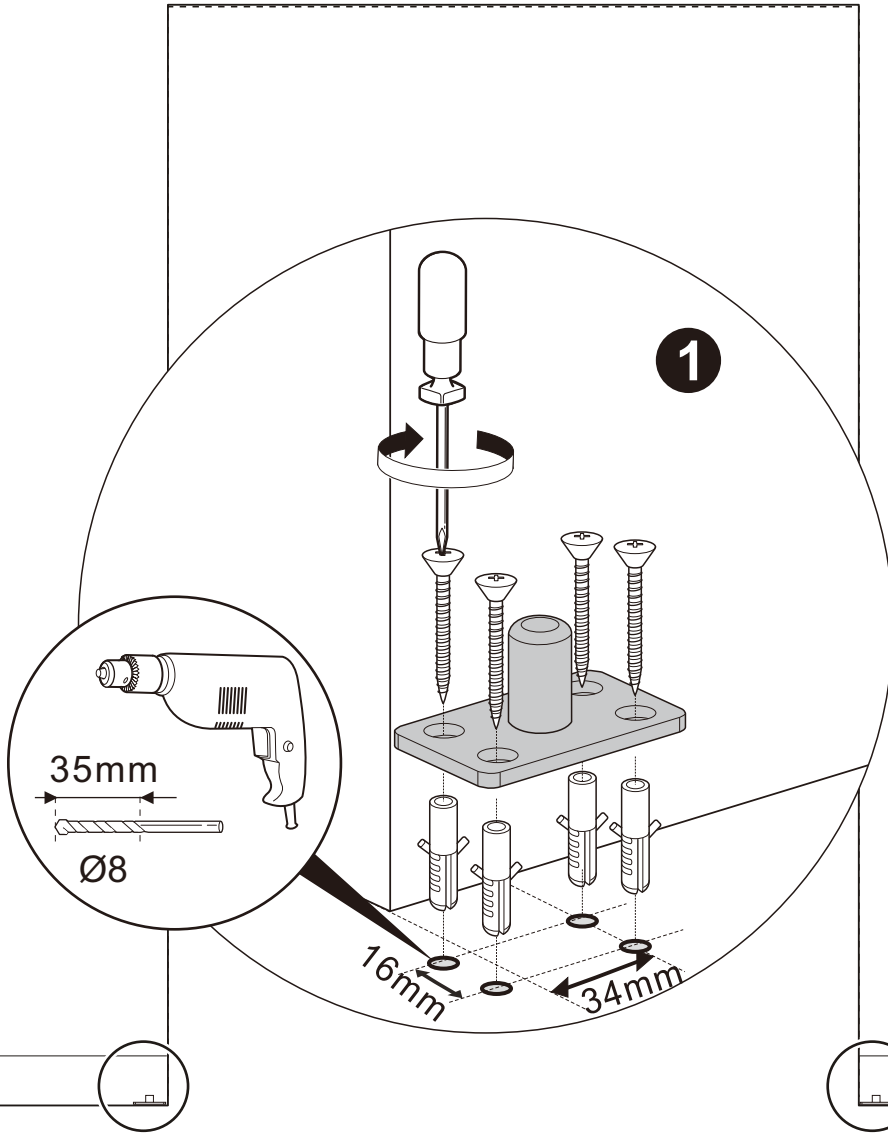
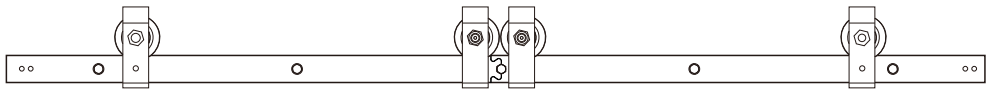
(x2)



Ø8 (x8)



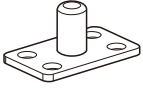
ST4.2x32 (x8)



Installation on steel frame door

9

G



(x2)



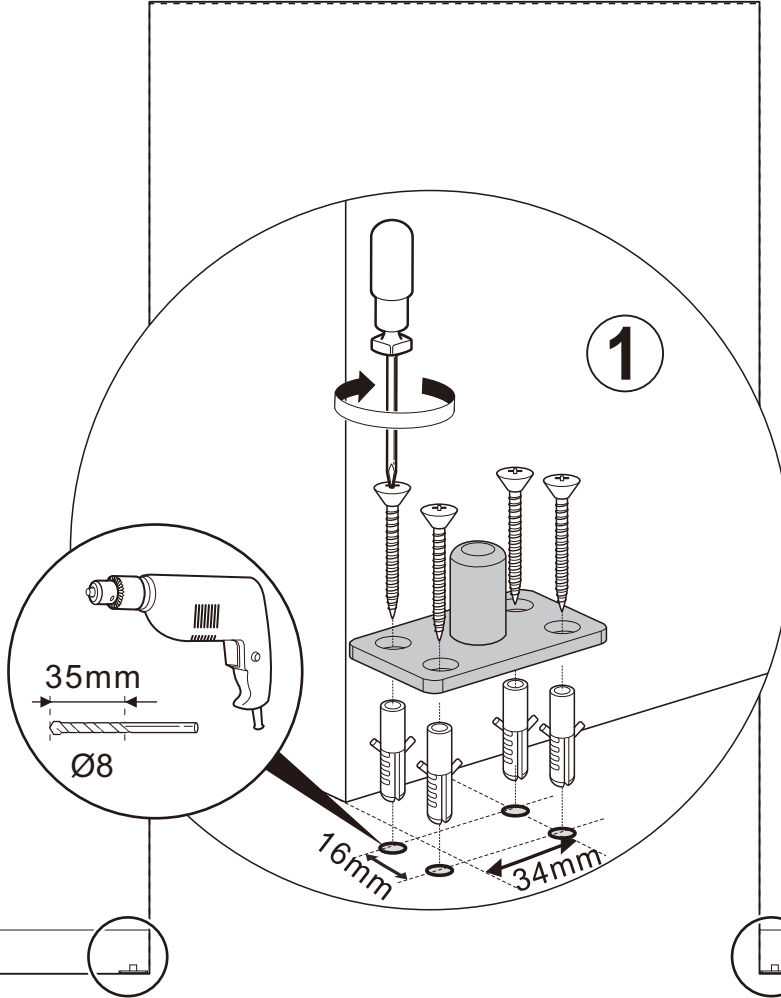
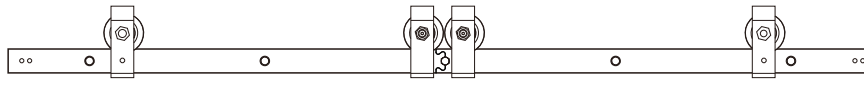
(x2)



ST4.2x32 (x8)



Ø8 (x8)



1

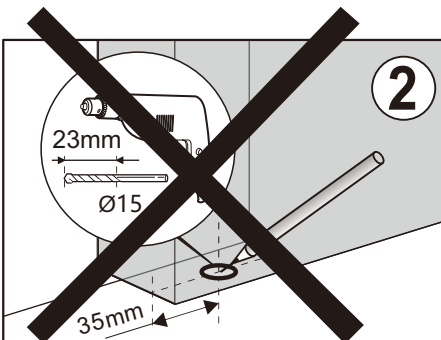
35mm

Ø8

16mm

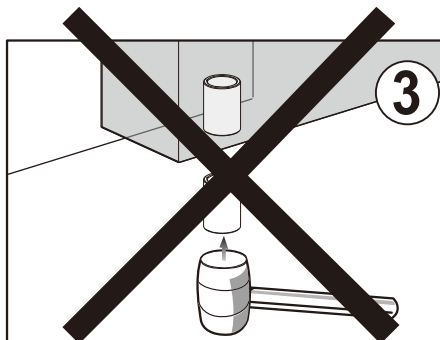
34mm

2



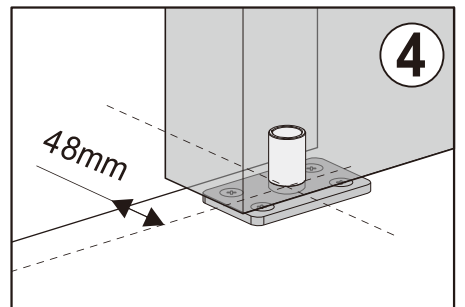
The hole positions at the bottom of the steel frame door need to be factory-configured

3

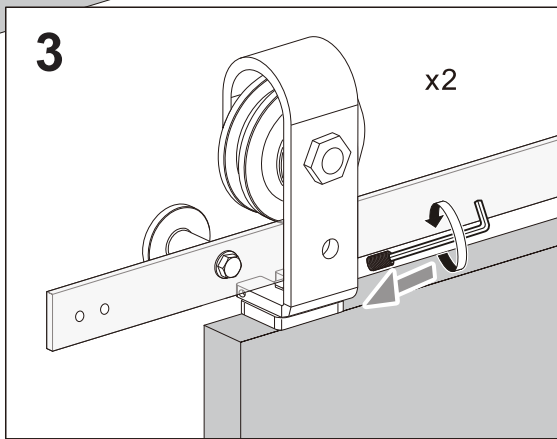
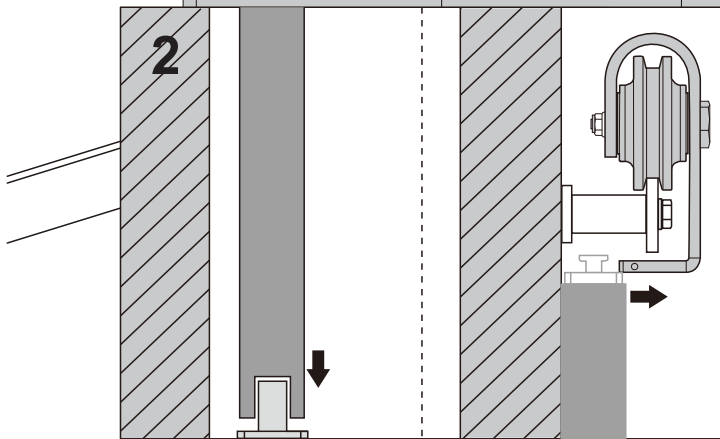
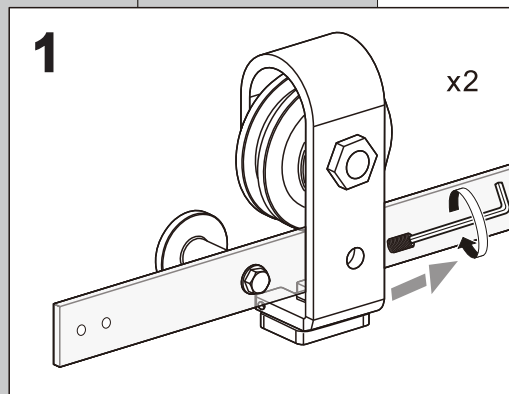
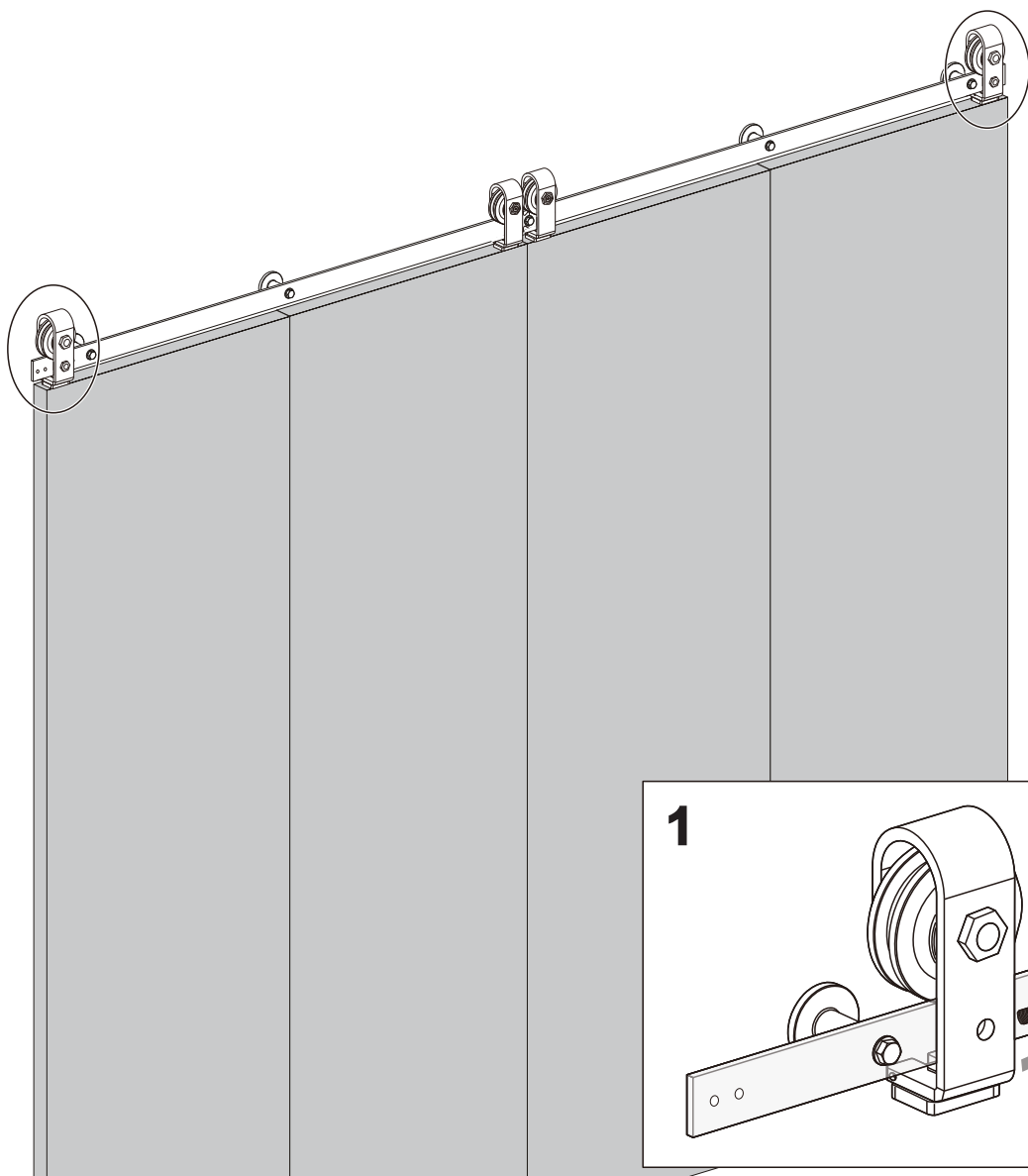


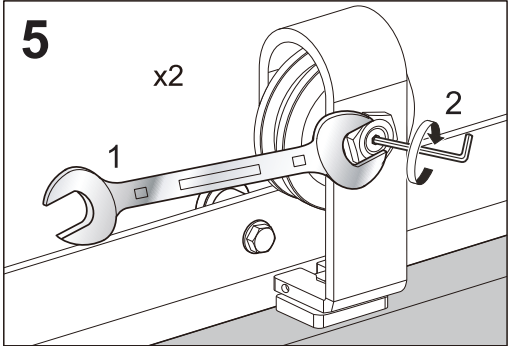
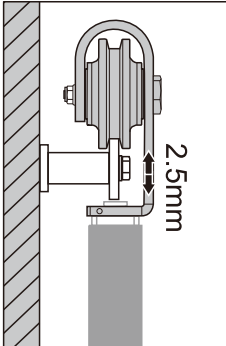
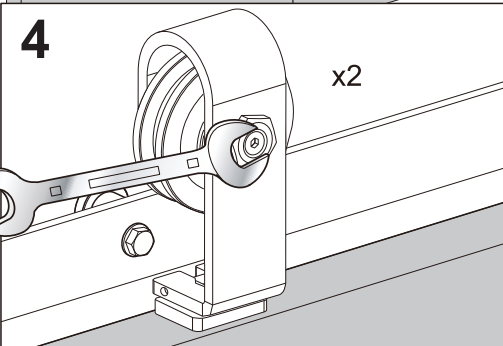
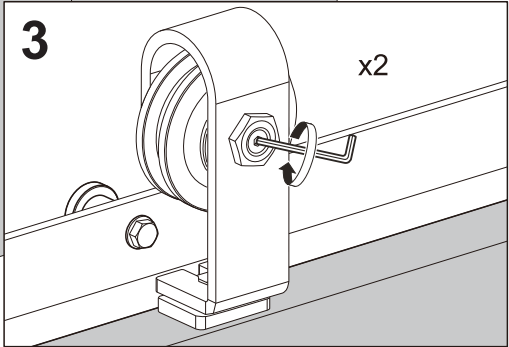
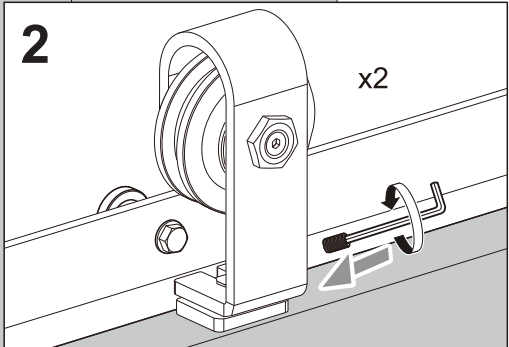
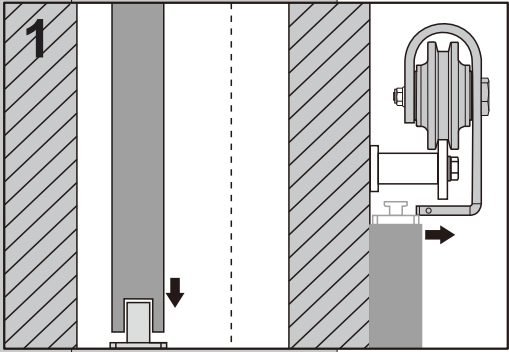
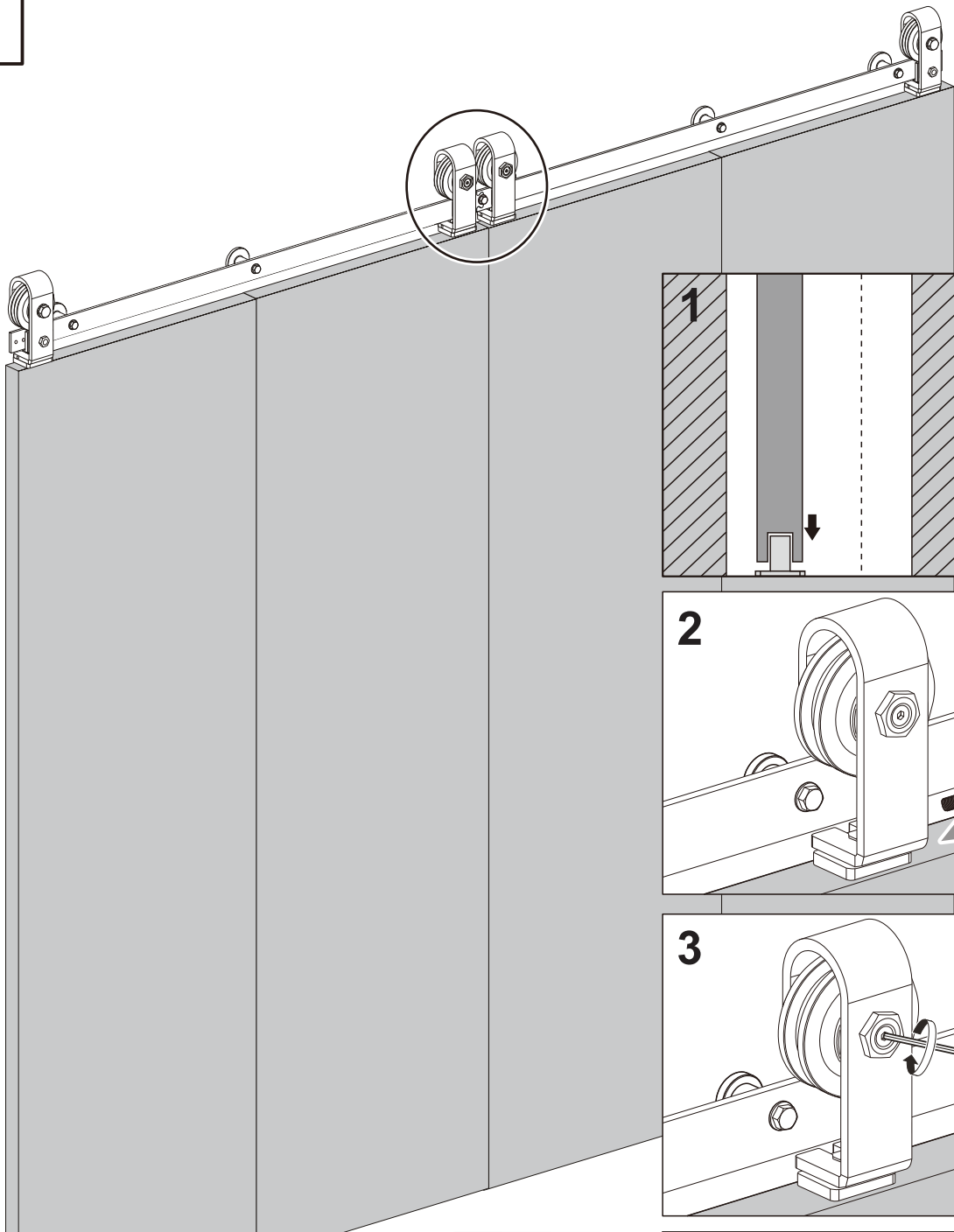
Steel frame doors don't require sleeves

4



48mm





C

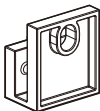


(x2)



M5x26 (x2)

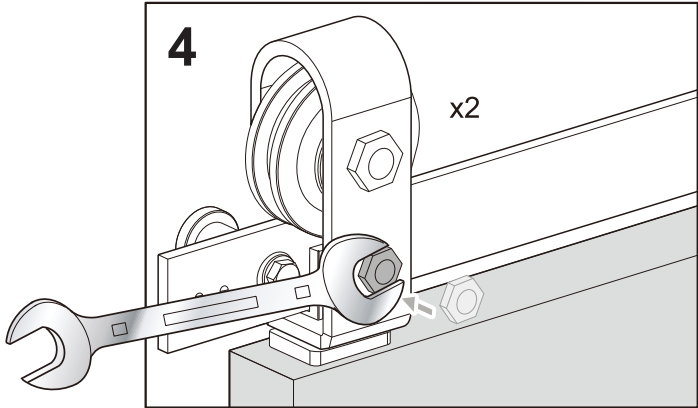
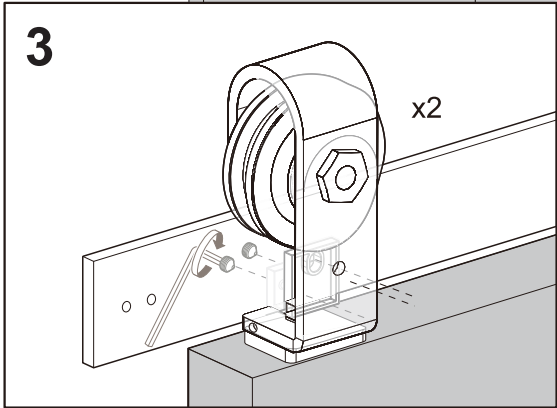
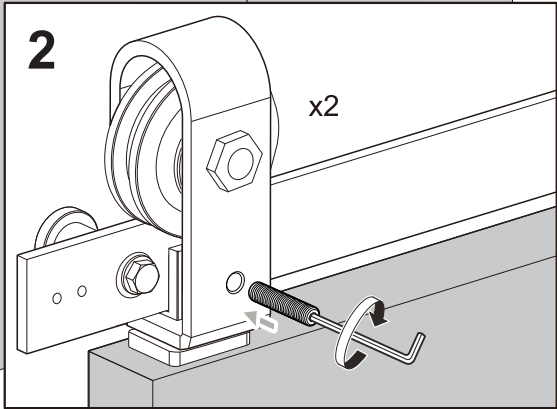
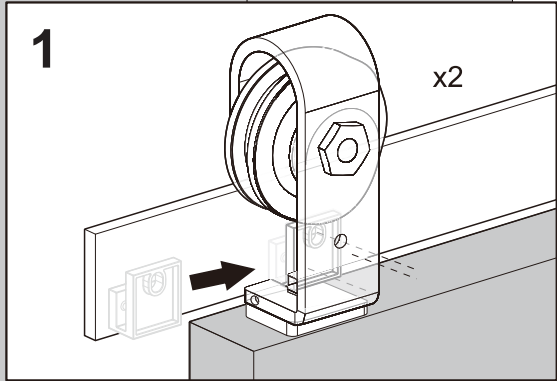
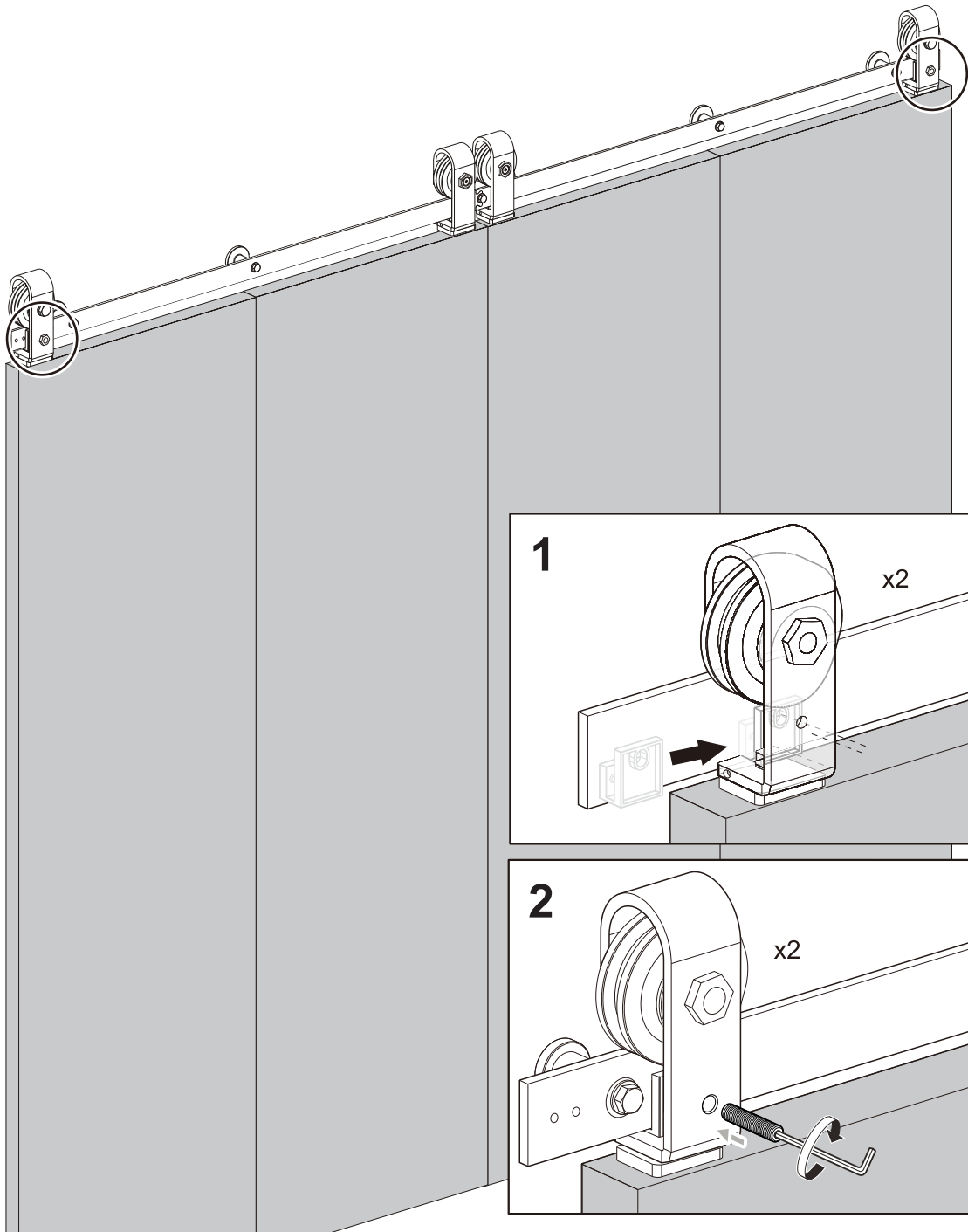
E



(x2)

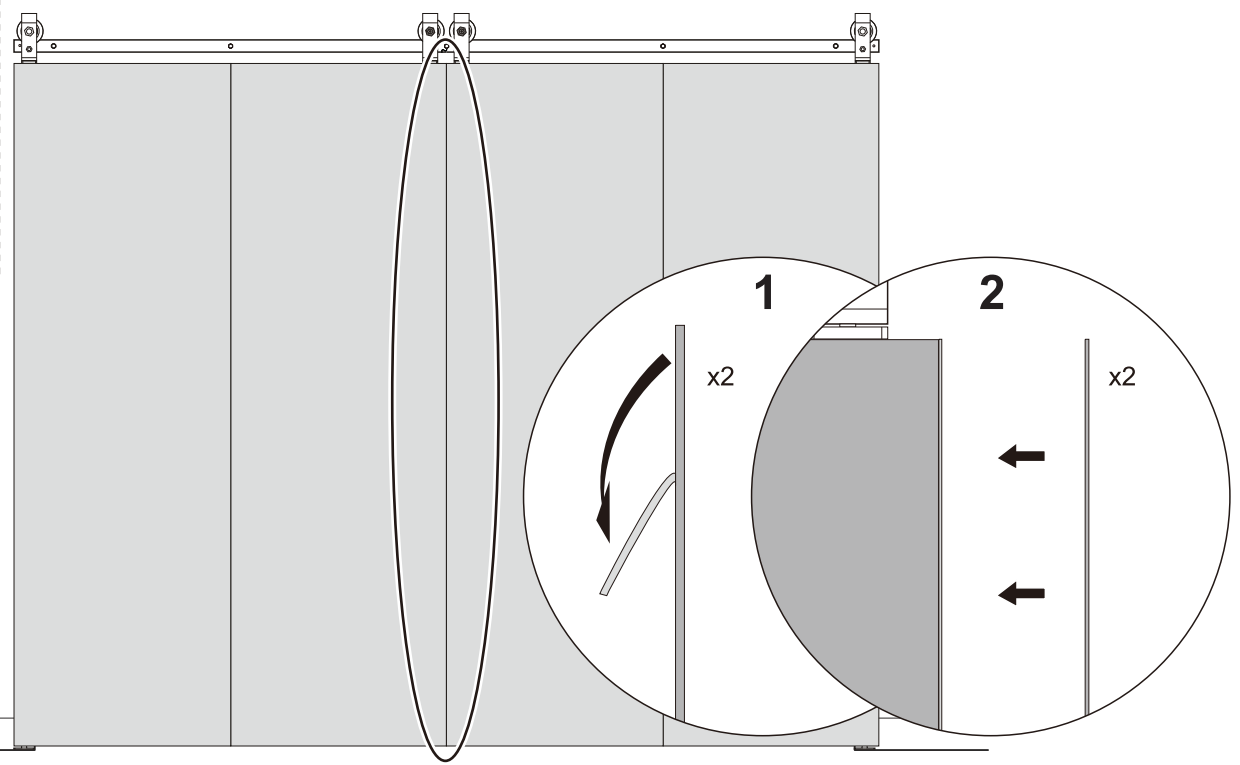


M5x6 (x4)



13

D
(x2)



14

J
(x4)

